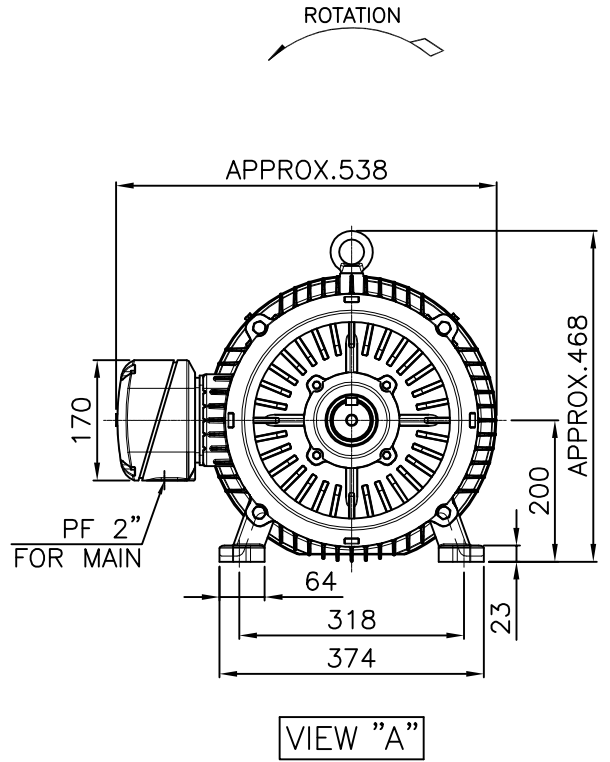
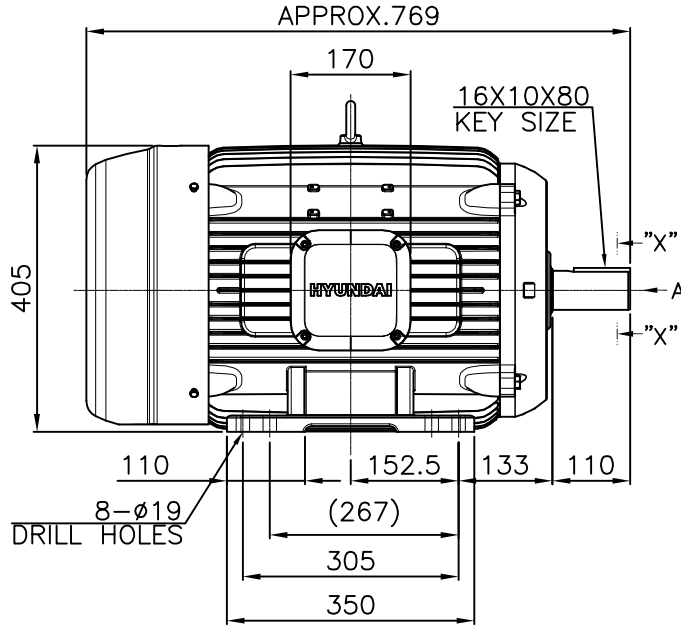




본 도면은 현대일렉트릭(주) 재산이므로  
허가없이 복사할 수 없음 (취급유의)

THIS DRAWING IS PROPRIETARY TO HYUNDAI ELECTRIC. NO PART OF THIS DRAWING  
MAYBE REPRODUCED WITHOUT THE PERMISSION OF HYUNDAI ELECTRIC.

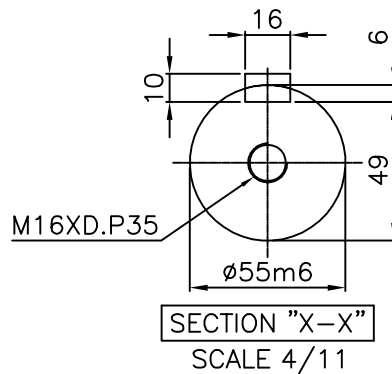
	1	2	3	4
▽	50S	REV	DATE	CONTENTS
▽▽	12.5S			REVD BY
▽▽▽	3.2S			CHKD BY
▽▽▽▽	0.4S			CHKD BY
				APPD BY



**NOTE**

1.TOLERANCE :

CENTER HEIGHT	200	$\begin{matrix} 0 \\ -0.5 \end{matrix}$
BASE HOLES	$\phi 19$	$\begin{matrix} +0.52 \\ 0 \end{matrix}$
SHAFT DIAMETER	$\phi 55$	$\begin{matrix} +0.030 \\ +0.011 \end{matrix}$
KEYWAY WIDTH	16	$\begin{matrix} 0 \\ -0.043 \end{matrix}$
KEYWAY DEPTH	6	$\begin{matrix} +0.2 \\ 0 \end{matrix}$
KEY WIDTH	16	$\begin{matrix} 0 \\ -0.043 \end{matrix}$
KEY HEIGHT	10	$\begin{matrix} 0 \\ -0.090 \end{matrix}$



APPD BY	S.K.HAN	UNIT	mm	SUBJECT	KS, IEC Fr.200L-2P	DWG SIZE	A4 ( 1:11 )
CHKD BY	S.Y.KIM	SCALE	1/11	TITLE	OUTLINE		
CHKD BY	I.K.KIM	PROJEC'N	3각법 (3rd Angle)				
DSND BY	S.H.LEE	DATE	2019.06.17				
				REF. NO		Sheet No.	of
				DWG NO	LM-T1205B3CLV01	Revision No.	0