



AC INDUCTION MOTOR DATA SHEET

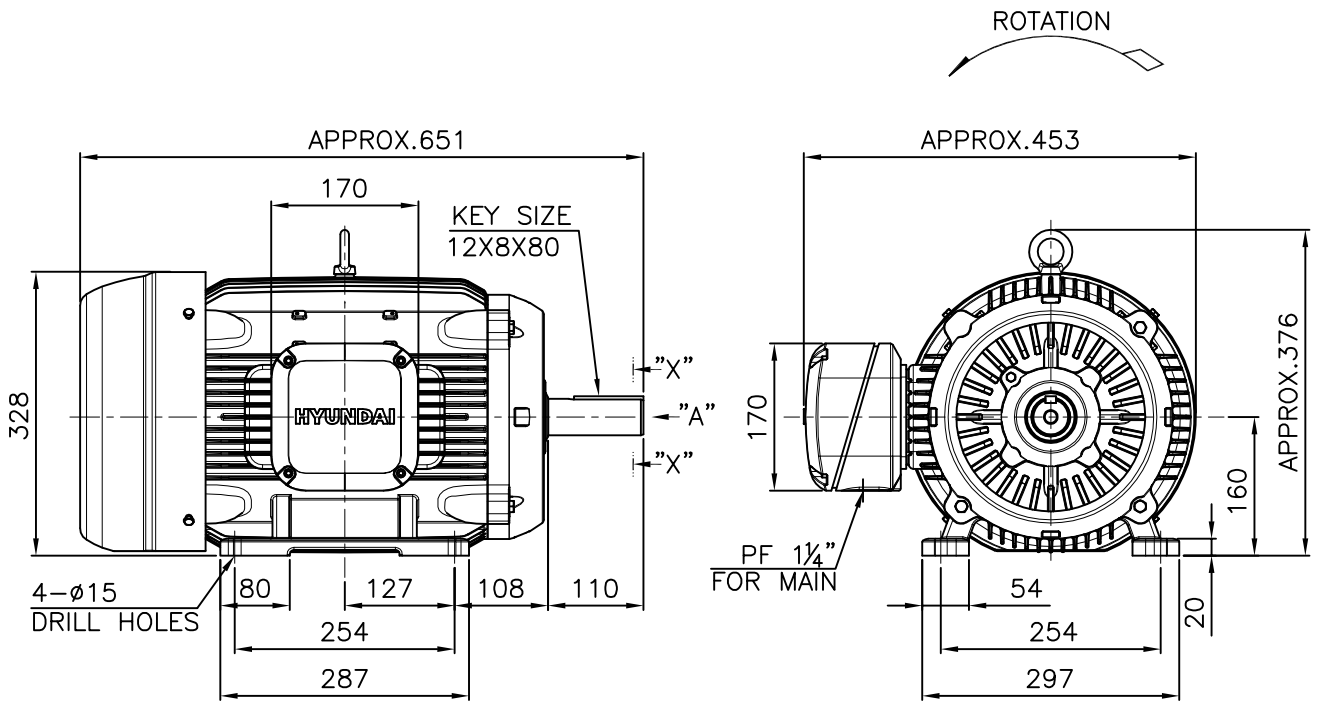
Model No.or RFQ No.		Item No.		Rev. No.		[0]																	
Project Name		Project No.		Quantity		set																	
GENERAL SPECIFICATION				PERFORMANCE DATA																			
Frame Size		180M		Rated Output		18.5 kW 25 HP																	
Type		HLP-18.5/4		Number of Poles		4																	
Enclosure(Protection)		Totally Enclosed (IP55)		Rotor Type		Squirrel Cage																	
Method of Cooling		IC411(FC)		Starting Method*		<input checked="" type="checkbox"/> D.O.L <input type="checkbox"/> Y-Δ																	
Rated Frequency		60 Hz		Rated Voltage		440 V 380 V 220 V																	
Number of Phases		3		Current		Full Load 31.6 A 36.6 A 63.3 A																	
Insulation Class		<input checked="" type="checkbox"/> F <input type="checkbox"/> B <input type="checkbox"/> H		Locked-rotor**		815 % 815 % 815 %																	
Temp. Rise at full load (by resistance method)		at 1.0 S.F 80 °C		Efficiency		50% Load 92.6 %																	
Motor Location		<input checked="" type="checkbox"/> Indoor <input type="checkbox"/> Outdoor				75% Load 93.5 %																	
Altitude		Less than 1000m				100% Load 93.6 %																	
Relative Humidity		Less than 80 %		Power Factor(p.u)		50% Load 0.730																	
Ambient Temp.		40 °C MAX.				75% Load 0.795																	
Duty Type		Continuous(S1)				100% Load 0.820																	
Service Factor		1.15		Speed at Full Load		1775 r.p.m																	
Mounting		<input checked="" type="checkbox"/> B3 <input type="checkbox"/> B5 <input type="checkbox"/> V1 <input type="checkbox"/> B3/B5		Torque		Full Load 10.2 kg.m																	
Bearing	Type	Anti-Friction				Locked-rotor** 170 %																	
	DE/N-DE	6312ZZC3 / 6310ZZC3				Breakdown** 220 %																	
Lubricant		Grease(Polyrex-EM)		Moment of Inertia (J)		Load(Max.) 15.22732394 kg·m ²																	
External Thrust		Not applicable				Motor 0.166 kg·m ²																	
Coupling Method		<input checked="" type="checkbox"/> Direct <input type="checkbox"/> V-Belt		Sound Pressure Level (No-load & mean value at 1m from motor)		66 dB(A)																	
Shaft Extension		<input checked="" type="checkbox"/> Single <input type="checkbox"/> Double		Vibration		2.2 mm/sec(r.m.s)																	
Terminal Box	Main	<input type="checkbox"/> Steel <input checked="" type="checkbox"/> Cast Iron		Permissible number of consecutive starts		Cold 3 times																	
	Aux.	<input type="checkbox"/> Yes <input checked="" type="checkbox"/> No				Hot 2 times																	
	Location	Refer to Outline Drawing		Paint		Munsell No. Panton279C																	
Application				SUBMITTAL DRAWING		Outline Dimension Drawing \ Motor Weight(Approx.)																	
Area classification		Non-Hazardous				<table border="1" style="width: 100%; border-collapse: collapse;"> <tr> <td>B3</td> <td>LM-T1183B3PLV01</td> <td>172 kg</td> </tr> <tr> <td>B5</td> <td></td> <td>kg</td> </tr> <tr> <td>V1</td> <td></td> <td>kg</td> </tr> <tr> <td>B3/B5</td> <td></td> <td>kg</td> </tr> </table>		B3	LM-T1183B3PLV01	172 kg	B5		kg	V1		kg	B3/B5		kg				
B3	LM-T1183B3PLV01	172 kg																					
B5		kg																					
V1		kg																					
B3/B5		kg																					
Type of Ex-Protection		Not applicable		Main T-Box Ass'y		3M-145860																	
Applicable Standard		KS, IEC, NEMA MG1 Part30(Vpeak)		REMARK		*.Premium Efficiency(IE3) *.For use on PWM VFD 10:1VT,3:1CT@1.0S.F&F Temp.rise																	
ACCESSORIES				SUBMITTAL DRAWING																			
				Date				DSND				CHKD				CHKD				APPD			
				2018-11-23				R.G. KIM				---				O.J. KIM				S.K.HAN			
SPARE PARTS																							

Note: Others not mentioned in this data sheet shall be in accordance with maker standard. Made in Vietnam
 Above technical data are only design values and shall be guaranteed with tolerance of applicable standard.
 Inspection and performance test shall be maker standard, if not mentioned.
 * In case of Inverter-Fed Motor, performance data is based on sine wave tests.
 ** The data are based on rated voltage & frequency, and data are expressed as a percentage of full load value.

본 도면은 현대일렉트릭(주) 재산이므로 허가없이 복사할 수 없음 (취급유의)

THIS DRAWING IS PROPRIETARY TO HYUNDAI ELECTRIC. NO PART OF THIS DRAWING MAYBE REPRODUCED WITHOUT THE PERMISSION OF HYUNDAI ELECTRIC.

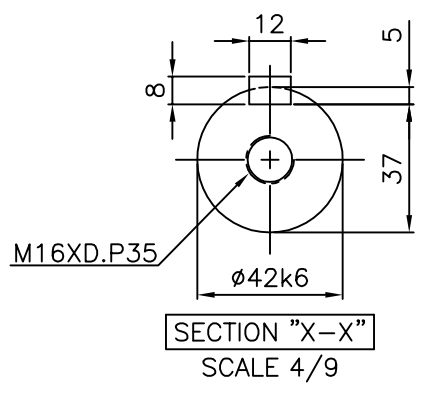
1		2		3		4			
▽	50S	REV	DATE	CONTENTS		REVD BY	CHKD BY	CHKD BY	APPD BY
▽▽	12.5S								
▽▽▽	3.2S								
▽▽▽▽	0.4S								



NOTE

1. TOLERANCE :

CENTER HEIGHT	160	$\begin{matrix} 0 \\ -0.5 \end{matrix}$
BASE HOLES	$\phi 15$	$\begin{matrix} +0.43 \\ 0 \end{matrix}$
SHAFT DIAMETER	$\phi 42$	$\begin{matrix} +0.018 \\ +0.002 \end{matrix}$
KEYWAY WIDTH	12	$\begin{matrix} 0 \\ -0.043 \end{matrix}$
KEYWAY DEPTH	5	$\begin{matrix} +0.2 \\ 0 \end{matrix}$
KEY WIDTH	12	$\begin{matrix} 0 \\ -0.043 \end{matrix}$
KEY HEIGHT	8	$\begin{matrix} 0 \\ -0.090 \end{matrix}$



APPD BY	S.K.HAN	UNIT	mm	SUBJECT	KS, IEC Fr.160L	DWG SIZE	A4 (1:9)
CHKD BY	S.Y.KIM	SCALE	1/9	TITLE	OUTLINE		
CHKD BY	I.K.KIM	PROJEC'N	3각법(3rd Angle)				
DSND BY	S.H.LEE	DATE	2019.06.17				
				REF. NO		Sheet No.	of
				DWG NO	LM-T1165B3PLV01	Revision No.	0