



# AC INDUCTION MOTOR DATA SHEET

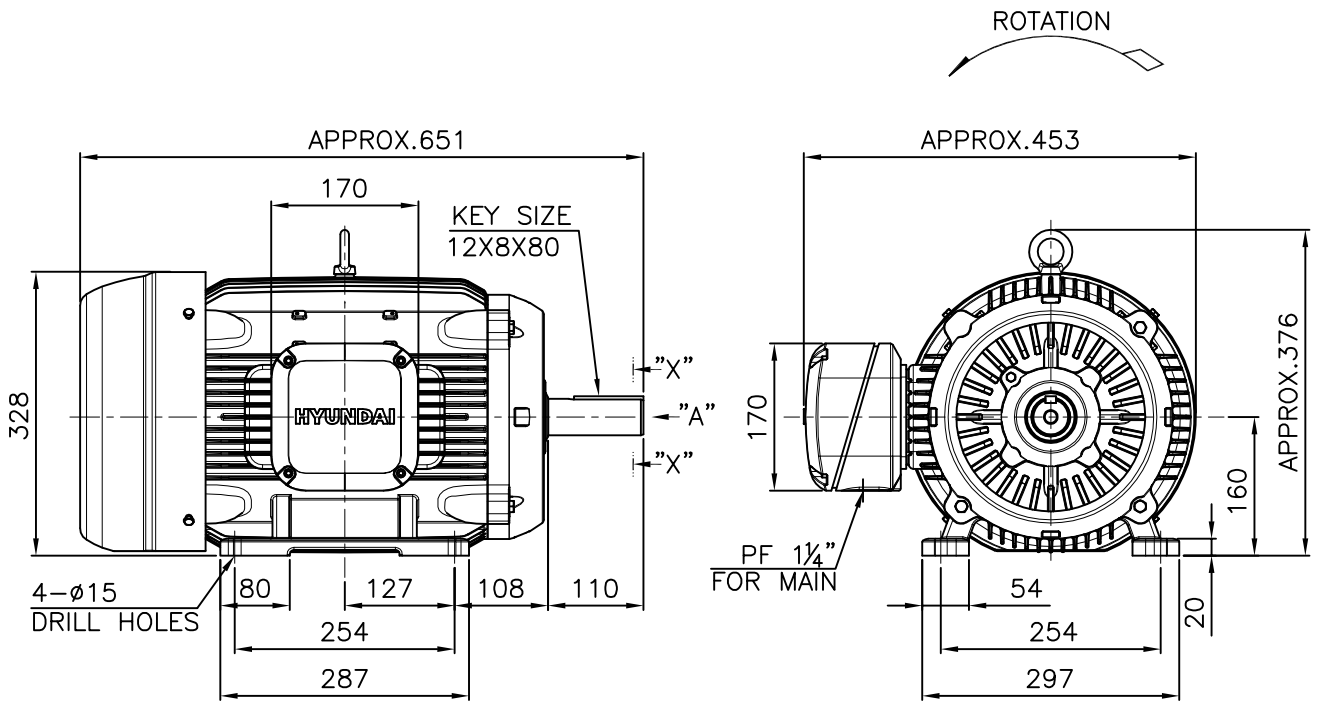
Model No.or RFQ No.		Item No.		Rev. No.		[ 0 ]			
Project Name		Project No.		Quantity		set			
GENERAL SPECIFICATION				PERFORMANCE DATA					
Frame Size		160L		Rated Output		18.5 kW      25 HP			
Type		HLP-18.5/2		Number of Poles		2			
Enclosure(Protection)		Totally Enclosed ( IP55 )		Rotor Type		Squirrel Cage			
Method of Cooling		IC411(FC)		Starting Method*		<input checked="" type="checkbox"/> D.O.L <input type="checkbox"/> Y-Δ			
Rated Frequency		60 Hz		Rated Voltage		440 V      380 V      220 V			
Number of Phases		3		Current		Full Load      29.7 A      34.4 A      59.5 A			
Insulation Class		<input checked="" type="checkbox"/> F <input type="checkbox"/> B <input type="checkbox"/> H		Locked-rotor**		880 %      880 %      880 %			
Temp. Rise at full load (by resistance method)				Efficiency					
at 1.0 S.F		80 °C		50% Load		89.0 %			
Motor Location		<input checked="" type="checkbox"/> Indoor <input type="checkbox"/> Outdoor		75% Load		91.7 %			
Altitude		Less than 1000m		100% Load		91.7 %			
Relative Humidity		Less than 80 %		Power Factor(p.u)					
Ambient Temp.		40 °C MAX.		50% Load		0.815			
Duty Type		Continuous(S1)		75% Load		0.872			
Service Factor		1.15		100% Load		0.890			
Mounting		<input checked="" type="checkbox"/> B3 <input type="checkbox"/> B5 <input type="checkbox"/> V1 <input type="checkbox"/> B3/B5		Speed at Full Load		3535 r.p.m			
Bearing	Type	Anti-Friction		Torque					
	DE/N-DE	6309ZZC3 / 6309ZZC3		Full Load		5.1 kg.m			
	Lubricant	Grease(Polyrex-EM)		Locked-rotor**		180 %			
External Thrust		Not applicable		Breakdown**		250 %			
Coupling Method		<input checked="" type="checkbox"/> Direct <input type="checkbox"/> V-Belt		Moment of Inertia (J)					
Shaft Extension		<input checked="" type="checkbox"/> Single <input type="checkbox"/> Double		Load(Max.)		6.116775106 kg.m <sup>2</sup>			
Terminal Box	Main	<input type="checkbox"/> Steel <input checked="" type="checkbox"/> Cast Iron		Motor		0.049 kg.m <sup>2</sup>			
	Aux.	<input type="checkbox"/> Yes <input checked="" type="checkbox"/> No		Sound Pressure Level (No-load & mean value at 1m from motor)					
	Location	Refer to Outline Drawing		74 dB(A)					
Application				Vibration					
Area classification		Non-Hazardous		2.2 mm/sec(r.m.s)					
Type of Ex-Protection		Not applicable		Permissible number of consecutive starts		Cold      3 times			
Applicable Standard		KS, IEC, NEMA MG1 Part30(Vpeak)		Hot		2 times			
				Paint		Munsell No.      Panton279C			
ACCESSORIES				SUBMITTAL DRAWING					
				Outline Dimension Drawing		Motor Weight(Approx.)			
				B3		LM-T1165B3PLV01		123 kg	
				B5				kg	
				V1				kg	
				B3/B5				kg	
				Main T-Box Ass'y		3M-145860			
SPARE PARTS				REMARK					
				* .Premium Efficiency(IE3)					
				* .For use on PWM VFD 10:1VT,3:1CT@1.0S.F&F Temp.rise					
Date		DSND		CHKD		CHKD		APPD	
2018-11-23		R.G. KIM		---		O.J. KIM		S.K.HAN	

Note: Others not mentioned in this data sheet shall be in accordance with maker standard. Made in Vietnam  
 Above technical data are only design values and shall be guaranteed with tolerance of applicable standard.  
 Inspection and performance test shall be maker standard, if not mentioned.  
 \* In case of Inverter-Fed Motor, performance data is based on sine wave tests.  
 \*\* The data are based on rated voltage & frequency, and data are expressed as a percentage of full load value.

본 도면은 현대일렉트릭(주) 재산이므로 허가없이 복사할 수 없음 (취급유의)

THIS DRAWING IS PROPRIETARY TO HYUNDAI ELECTRIC. NO PART OF THIS DRAWING MAYBE REPRODUCED WITHOUT THE PERMISSION OF HYUNDAI ELECTRIC.

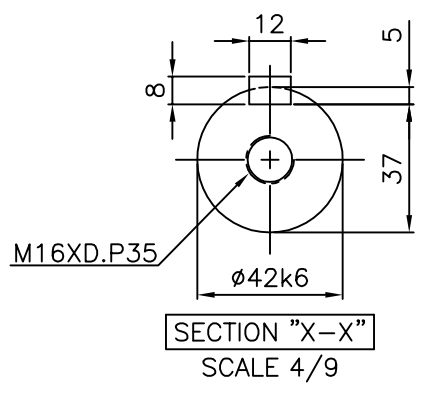
1		2		3		4			
▽	50S	REV	DATE	CONTENTS		REVD BY	CHKD BY	CHKD BY	APPD BY
▽▽	12.5S								
▽▽▽	3.2S								
▽▽▽▽	0.4S								



**NOTE**

1. TOLERANCE :

CENTER HEIGHT	160	$\frac{0}{-0.5}$
BASE HOLES	$\phi 15$	$\frac{+0.43}{0}$
SHAFT DIAMETER	$\phi 42$	$\frac{+0.018}{+0.002}$
KEYWAY WIDTH	12	$\frac{0}{-0.043}$
KEYWAY DEPTH	5	$\frac{+0.2}{0}$
KEY WIDTH	12	$\frac{0}{-0.043}$
KEY HEIGHT	8	$\frac{0}{-0.090}$



APPD BY	S.K.HAN	UNIT	mm	SUBJECT	KS, IEC Fr.160L	DWG SIZE	A4 ( 1:9 )	
CHKD BY	S.Y.KIM	SCALE	1/9	TITLE	OUTLINE			
CHKD BY	I.K.KIM	PROJEC'N	3각법(3rd Angle)	REF. NO		Sheet No.	of	
DSND BY	S.H.LEE	DATE	2019.06.17	DWG NO		LM-T1165B3PLV01	Revision No.	0