

# AC INDUCTION MOTOR DATA SHEET

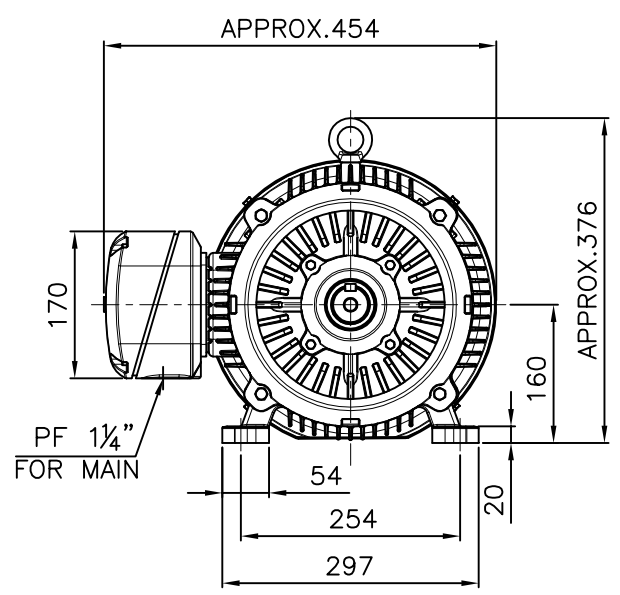
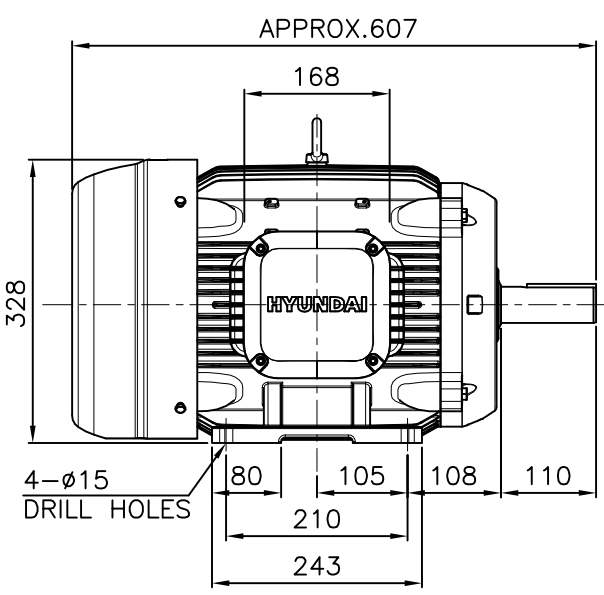
Model No.or RFQ No.		Item No.		Rev. No.	[ 0 ]	
Project Name		Project No.		Quantity	set	
GENERAL SPECIFICATION			PERFORMANCE DATA			
Frame Size	160M	Rated Output	15 kW	20 HP		
Type	HLP-15/2	Number of Poles	2			
Enclosure(Protection)	Totally Enclosed ( IP55 )	Rotor Type	Squirrel Cage			
Method of Cooling	IC411(FC)	Starting Method*	<input checked="" type="checkbox"/> D.O.L	<input type="checkbox"/> Y-Δ		
Rated Frequency	60 Hz	Rated Voltage	440 V	380 V	220 V	
Number of Phases	3	Current	Full Load	24.3 A	28.1 A	
Insulation Class	<input checked="" type="checkbox"/> F <input type="checkbox"/> B <input type="checkbox"/> H	Locked-rotor**	880 %	880 %	880 %	
Temp. Rise at full load (by resistance method)		Efficiency				
at 1.0 S.F	80 °C	50% Load		90.5 %		
Motor Location	<input checked="" type="checkbox"/> Indoor <input type="checkbox"/> Outdoor	75% Load		91.2 %		
Altitude	Less than 1000m	100% Load		91.0 %		
Relative Humidity	Less than 80 %	Power Factor(p.u)				
Ambient Temp.	40 °C MAX.	50% Load		0.820		
Duty Type	Continuous(S1)	75% Load		0.872		
Service Factor	1.15	100% Load		0.890		
Mounting	<input checked="" type="checkbox"/> B3 <input type="checkbox"/> B5 <input type="checkbox"/> V1 <input type="checkbox"/> B3/B5	Speed at Full Load	3535 r.p.m			
Bearing	Type	Anti-Friction				
	DE/N-DE	6309ZZC3 / 6309ZZC3				
	Lubricant	Grease(Polyrex-EM)				
External Thrust	Not applicable					
Coupling Method	<input checked="" type="checkbox"/> Direct <input type="checkbox"/> V-Belt	Moment of Inertia (J)				
Shaft Extension	<input checked="" type="checkbox"/> Single <input type="checkbox"/> Double	Load(Max.)		4.959547383 kg·m <sup>2</sup>		
Terminal Box	Main	<input type="checkbox"/> Steel <input checked="" type="checkbox"/> Cast Iron	Motor		0.049 kg·m <sup>2</sup>	
	Aux.	<input type="checkbox"/> Yes <input checked="" type="checkbox"/> No	Sound Pressure Level (No-load & mean value at 1m from motor)			
	Location	Refer to Outline Drawing				
Application		Vibration				
Area classification	Non-Hazardous	Permissible number of consecutive starts		Cold	3 times	
Type of Ex-Protection	Not applicable			Hot	2 times	
Applicable Standard	KS, IEC, NEMA MG1 Part30(Vpeak)	Paint	Munsell No.	Panton279C		
ACCESSORIES		SUBMITTAL DRAWING				
		Outline Dimension Drawing		Motor Weight(Approx.)		
		B3	LM-T1163B3PLV01	118 kg		
		B5		kg		
		V1		kg		
		B3/B5		kg		
		Main T-Box Ass'y	3M-145860			
		REMARK				
		* .Premium Efficiency(IE3)				
		* .For use on PWM VFD 10:1VT,3:1CT@1.0S.F&F Temp.rise				
SPARE PARTS		Date	DSND	CHKD	CHKD	
		2018-11-23	R.G. KIM	---	O.J. KIM	
					APPD	
					S.K.HAN	

Note: Others not mentioned in this data sheet shall be in accordance with maker standard. Made in Vietnam  
 Above technical data are only design values and shall be guaranteed with tolerance of applicable standard.  
 Inspection and performance test shall be maker standard, if not mentioned.  
 \* In case of Inverter-Fed Motor, performance data is based on sine wave tests.  
 \*\* The data are based on rated voltage & frequency, and data are expressed as a percentage of full load value.

본 도면은 현대일렉트릭(주) 재산이므로 허가없이 복사할 수 없음 (취급유의)

THIS DRAWING IS PROPRIETARY TO HYUNDAI ELECTRIC. NO PART OF THIS DRAWING MAYBE REPRODUCED WITHOUT THE PERMISSION OF HYUNDAI ELECTRIC.

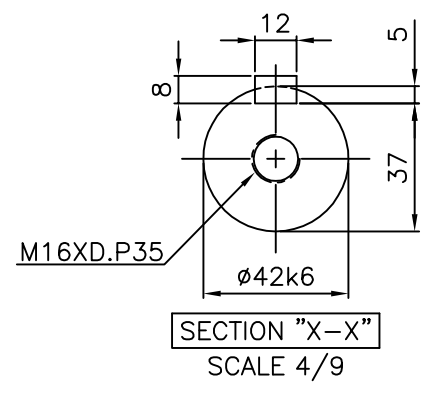
▽	50S	REV	DATE	CONTENTS	REVD BY	CHKD BY	CHKD BY	APPD BY
▽▽	12.5S							
▽▽▽	3.2S							
▽▽▽▽	0.4S							



**NOTE**

1. TOLERANCE :

CENTER HEIGHT	160	$\begin{matrix} 0 \\ -0.5 \end{matrix}$
BASE HOLES	$\phi 15$	$\begin{matrix} +0.43 \\ 0 \end{matrix}$
SHAFT DIAMETER	$\phi 42$	$\begin{matrix} +0.018 \\ +0.002 \end{matrix}$
KEYWAY WIDTH	12	$\begin{matrix} 0 \\ -0.043 \end{matrix}$
KEYWAY DEPTH	5	$\begin{matrix} +0.2 \\ 0 \end{matrix}$
KEY WIDTH	12	$\begin{matrix} 0 \\ -0.043 \end{matrix}$
KEY HEIGHT	8	$\begin{matrix} 0 \\ -0.090 \end{matrix}$



APPD BY	S.K.HAN	UNIT	mm	SUBJECT	KS, IEC Fr.160M	DWG SIZE	A4 ( 1:9 )
CHKD BY	S.Y.KIM	SCALE	1/9			TITLE	OUTLINE
CHKD BY	I.K.KIM	PROJEC'N	3각법(3rd Angle)	REF. NO		Sheet No.	of
DSND BY	S.H.LEE	DATE	2019.06.17	DWG NO	LM-T1163B3PLV01	Revision No.	0