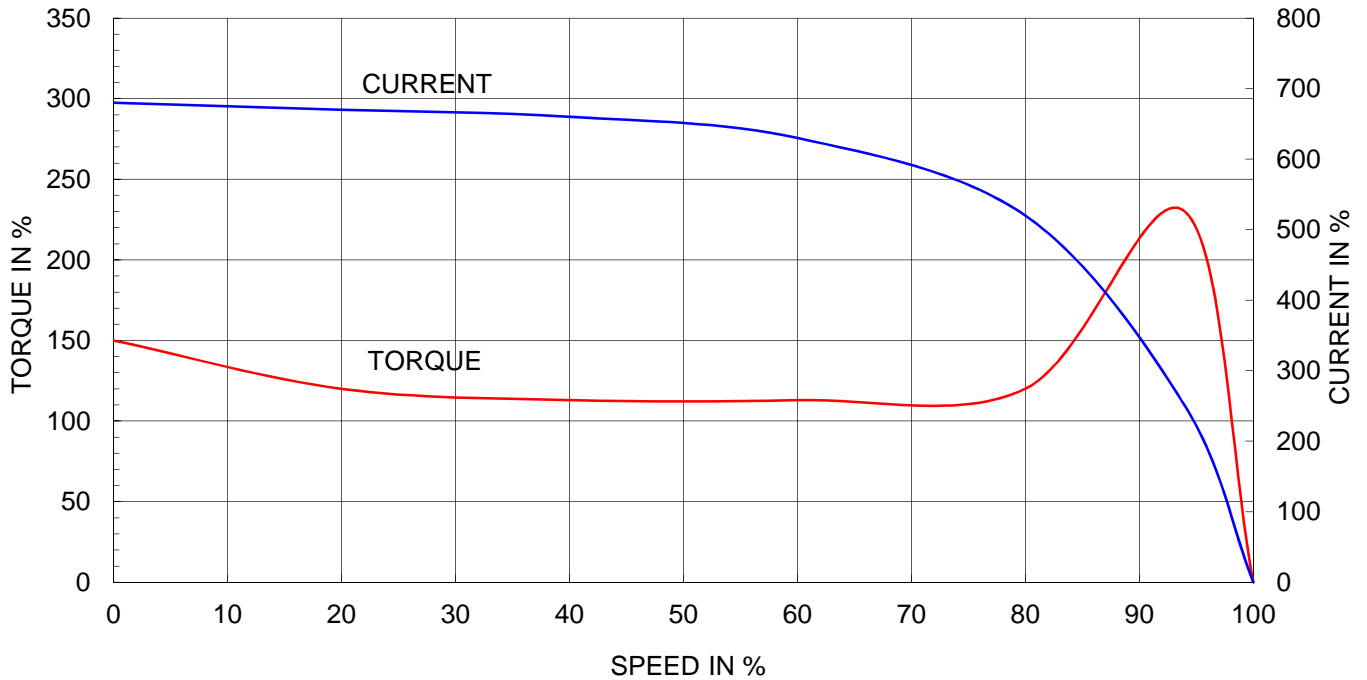


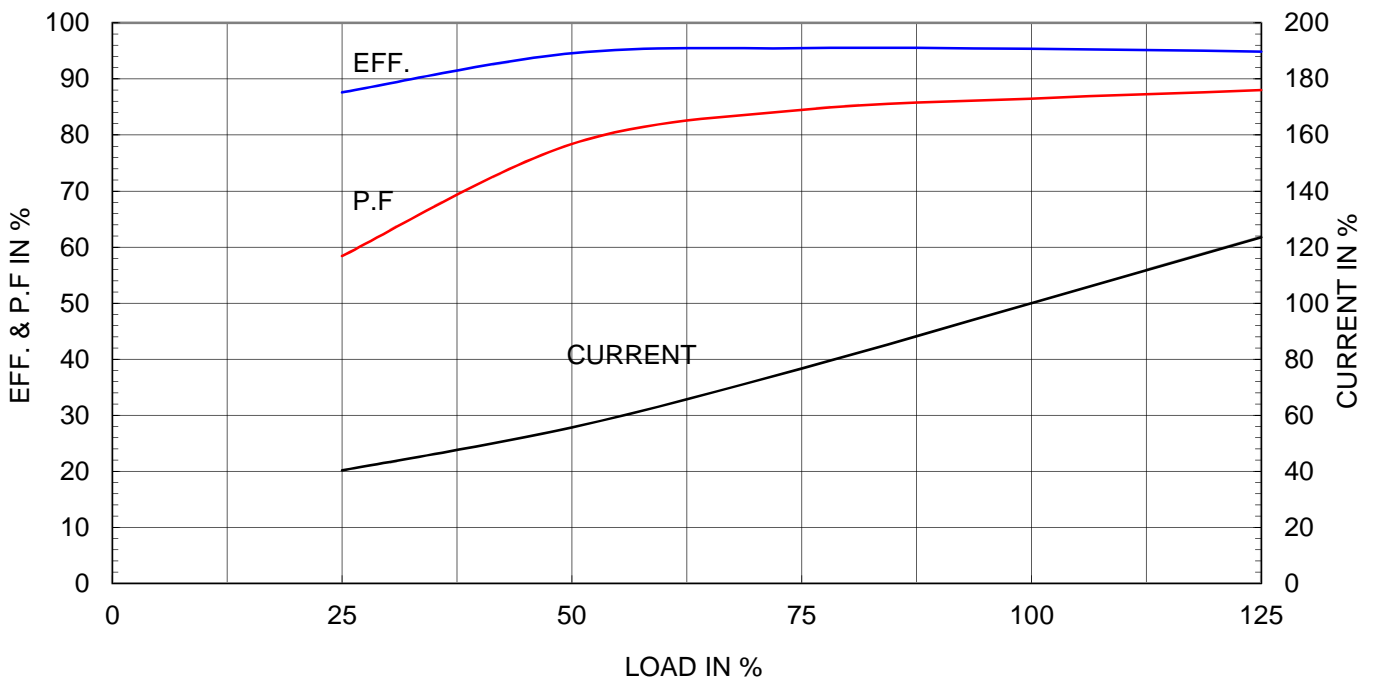
| | | |
|-----------------------------|---|--------------------------|
| Type | : | HLP-90/4 |
| Full Load Torque | : | 49.1 Kg.m |
| Motor moment of Inertia (J) | : | 1.940 Kg.m ² |
| Load moment of Inertia (J) | : | 63.530 Kg.m ² |

| | | | |
|----------------------|--------|----------|--------|
| 90 kW | 4 P | 60 Hz | |
| Speed at Full Load : | | 1785 RPM | |
| Rated Voltage | 440V | 380V | 220V |
| Full Load Current | 143.1A | 165.7A | 286.2A |

SPEED VS TORQUE & CURRENT CURVE



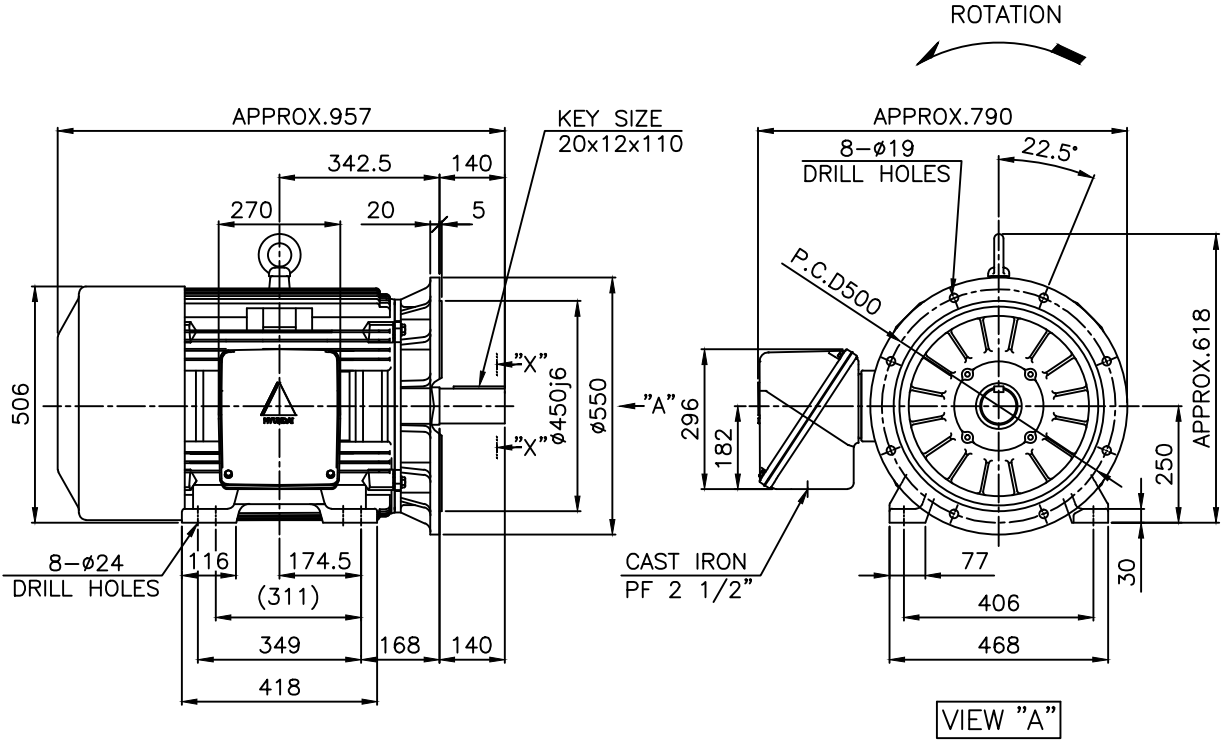
OUTPUT VS EFF., P.F & CURRENT CURVE



본 도면은 현대일렉트릭(주) 재산이므로
허가없이 복사할 수 없음 (취급주의)

THIS DRAWING IS PROPRIETARY TO HYUNDAI ELECTRIC. NO PART OF THIS DRAWING
MAY BE REPRODUCED WITHOUT THE PERMISSION OF HYUNDAI ELECTRIC.

| | | | | | | | | |
|------|-------|-----|------|----------|---------|---------|---------|---------|
| | 1 | 2 | 3 | 4 | | | | |
| ▽ | 50S | REV | DATE | CONTENTS | REVD BY | CHKD BY | CHKD BY | APPD BY |
| ▽▽ | 12.5S | | | | | | | |
| ▽▽▽ | 3.2S | | | | | | | |
| ▽▽▽▽ | 0.4S | | | | | | | |



NOTE

1. TOLERANCE :

| | | |
|-----------------|------------|--|
| CENTER HEIGHT | 250 | $\begin{matrix} 0 \\ -0.5 \end{matrix}$ |
| BASE HOLES | $\phi 24$ | $\begin{matrix} +0.52 \\ 0 \end{matrix}$ |
| FLANGE HOLES | $\phi 19$ | $\begin{matrix} +0.52 \\ 0 \end{matrix}$ |
| RABBET DIAMETER | $\phi 450$ | ± 0.020 |
| SHAFT DIAMETER | $\phi 75$ | $\begin{matrix} +0.030 \\ +0.011 \end{matrix}$ |
| KEYWAY WIDTH | 20 | $\begin{matrix} -0.022 \\ -0.074 \end{matrix}$ |
| KEYWAY DEPTH | 7.5 | $\begin{matrix} +0.2 \\ 0 \end{matrix}$ |
| KEY WIDTH | 20 | $\begin{matrix} 0 \\ -0.052 \end{matrix}$ |
| KEY HEIGHT | 12 | $\begin{matrix} 0 \\ -0.110 \end{matrix}$ |

| | | | | | | | |
|---------|---------|----------|-----------------|---------|-----------------------|--------------|-------------|
| APPD BY | S.K.HAN | UNIT | mm | SUBJECT | KS, IEC Fr.250M-4*20P | DWG SIZE | A4 (1:15) |
| CHKD BY | S.Y.KIM | SCALE | 1/15 | TITLE | OUTLINE | | |
| CHKD BY | R.G.KIM | PROJEC'N | 3각법 (3rd Angle) | REF. NO | | Sheet No. | of |
| DSND BY | S.H.YUN | DATE | 2018-08-28 | DWG NO | LM-T1253B4PL001 | Revision No. | 1 |
| | | | | | | | |

