



DATA SHEET of AC INDUCTION MOTOR

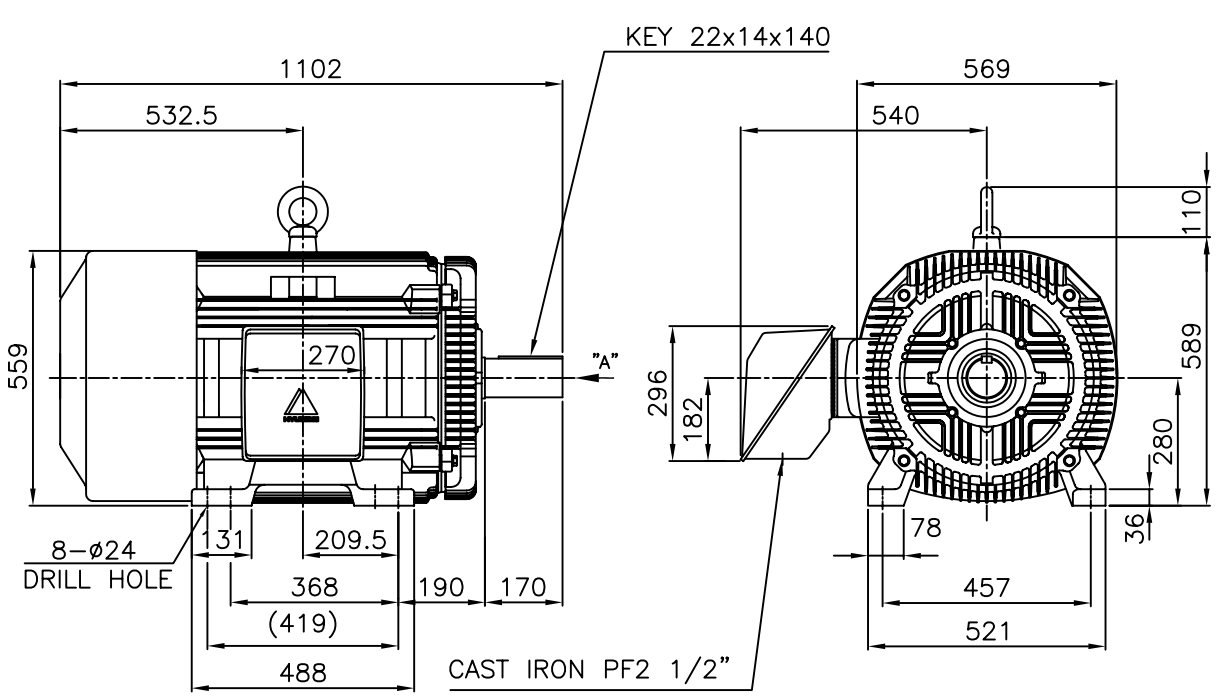
**75 HP - 8 P
TE**

DESIGN NO : **KS C4202-1996**

본 도면은 현대중공업(주) 재산이므로
허가없이 복사할 수 없습니다 (취급유의)

THIS DRAWING IS PROPRIETARY TO HHI. NO PART OF THIS DRAWING
MAYBE REPRODUCED WITHOUT THE PERMISSION OF HHI.

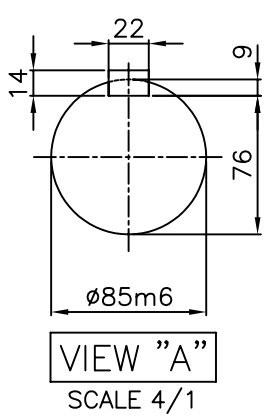
		<h1>TEFC</h1>		TYPE (1) TNB , TDB CAST IRON FRAME
		THREE PHASE INDUCTION MOTOR		



NOTE

1. TOLERANCE :

CENTER HEIGHT	280 ⁰ _{-1.0}
BASE HOLE	ø24 ^{+0.43} ₀
SHAFT DIAMETER	ø85 ^{+0.035} _{+0.013}
KEYWAY WIDTH	22 ^{-0.022} _{-0.074}
KEYWAY DEPTH	9 ^{+0.2} ₀
KEYWAY WIDTH	22 ⁰ _{-0.052}
KEYWAY DEPTH	14 ⁰ _{-0.110}



2. The type (1) - "TNB , TDB" is for HHI's standard products and it can be changed for customer's requirements or detail designing.

				TEFC STANDARD		
APPD BY	KANG K.J.	UNIT	MM	SUBJECT	KS Fr.280S TEFC	
CHKD BY	KIM O.J.	SCALE	1/17			CAD PROJ \ FILE
CHKD BY	LEE N.D.	PROJEC'N	3rd Angle	OUTLINE THREE-PHASE INDUCTION MOTOR		
DSND BY	KIM RYANG GYU	DATE	2007.03.23			
				REF. NO	L2-Series	Sheet No. of
				DWG NO	TJ8SAP51	Revision No.



HYUNDAI

HEAVY INDUSTRIES CO., LTD

PERFORMANCE CURVE

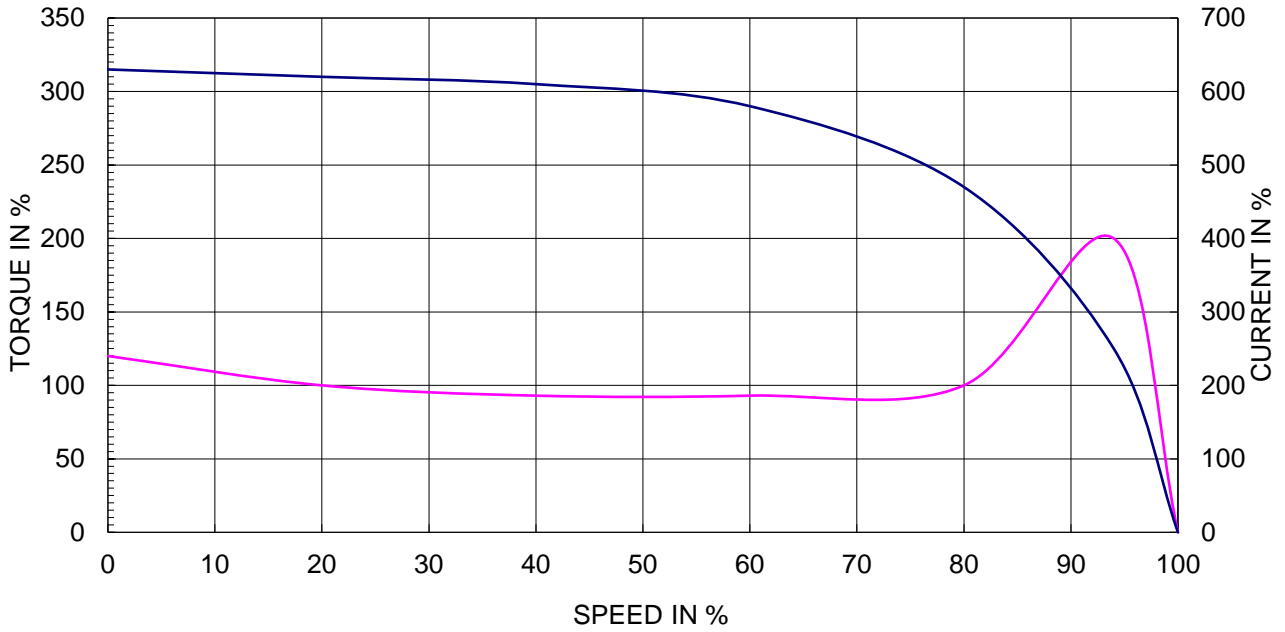
CURVE NO.

P-TNBJ8S08055

TYPE :		
RATED TORQUE :	60.9	Kg.m
GD2 OF MOTOR :	9.9	Kg.m ²
(ALLOWABLE) GD2 OF LOA	507.1	Kg.m ²

55 kW	8 P	60 Hz
RATED SPEED :		880 RPM
VOLTAGE	440V	380 V
RATED CURRENT	95.3A	110.3 A
		190.6A

SPEED VS TORQUE & CURRENT CURVE



OUTPUT VS EFF., P.F & CURRENT CURVE

