



DATA SHEET of AC INDUCTION MOTOR

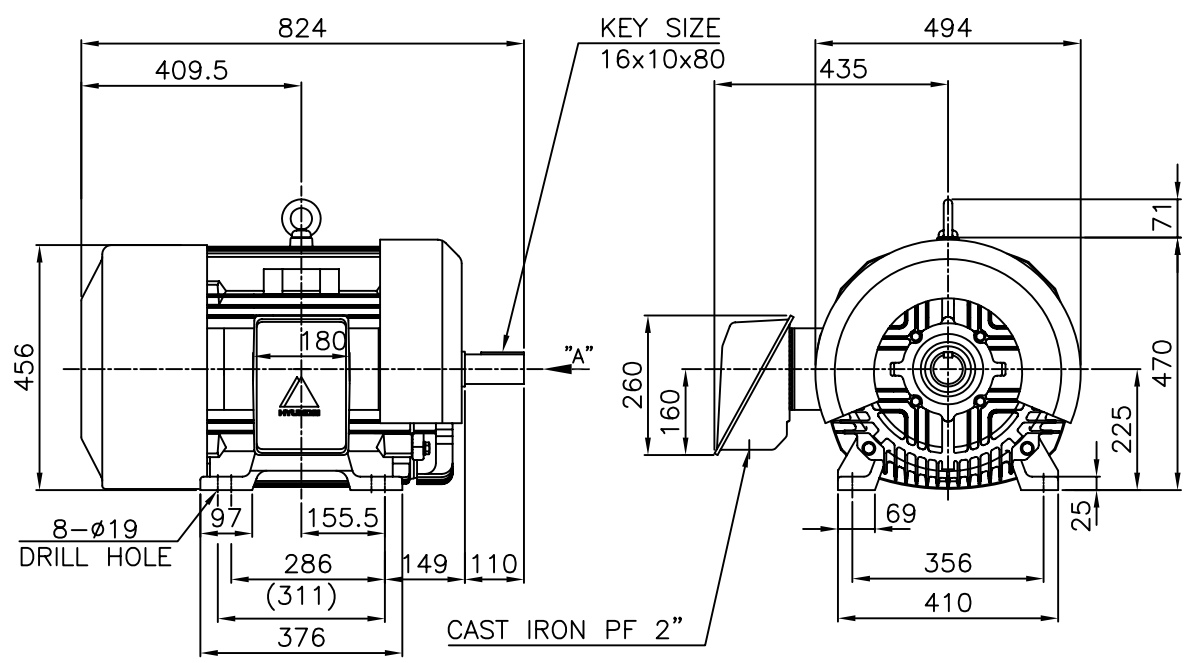
**75 HP - 2 P
TE**

DESIGN NO : **KS C4202-1996**

본 도면은 현대중공업(주) 재산이므로
허가없이 복사할 수 없습니다 (취급유의)

THIS DRAWING IS PROPRIETARY TO HHI. NO PART OF THIS DRAWING
MAYBE REPRODUCED WITHOUT THE PERMISSION OF HHI.

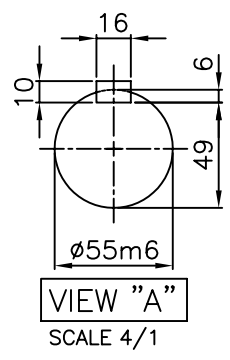
		<h1>TEFC</h1>		TYPE ⁽¹⁾ TNB , TDB CAST IRON FRAME
		THREE PHASE INDUCTION MOTOR		



NOTE

1.TOLERANCE :

CENTER HEIGHT	225	$\begin{matrix} 0 \\ -0.5 \end{matrix}$
BASE HOLE	$\phi 19$	$\begin{matrix} +0.43 \\ 0 \end{matrix}$
SHAFT DIAMETER	$\phi 55$	$\begin{matrix} +0.030 \\ +0.011 \end{matrix}$
KEYWAY WIDTH	16	$\begin{matrix} -0.018 \\ -0.061 \end{matrix}$
KEYWAY DEPTH	6	$\begin{matrix} +0.2 \\ 0 \end{matrix}$
KEY WIDTH	16	$\begin{matrix} 0 \\ -0.043 \end{matrix}$
KEY HEIGHT	10	$\begin{matrix} 0 \\ -0.090 \end{matrix}$



2.The type (1)-"TNB , TDB" is for HHI's standard products and it can be changed for customer's requirements or detail designing.

				TEFC STANDARD		
APPD BY	KANG K.J.	UNIT	MM	SUBJECT	KS Fr.225S TEFC	CAD PROJ \ FILE
CHKD BY	KIM O.J.	SCALE	1/15			MMSTDMTR/TJ2SAC50
CHKD BY		PROJEC'N	3rd Angle	TITLE OUTLINE THREE-PHASE INDUCTION MOTOR		
DSND BY	KIM RYANG GYU	DATE	2003.08.30			
				REF. NO	L2-Series	Sheet No. of
				DWG NO	TJ2SAC50	Revision No. 0



HYUNDAI

HEAVY INDUSTRIES CO., LTD

PERFORMANCE CURVE

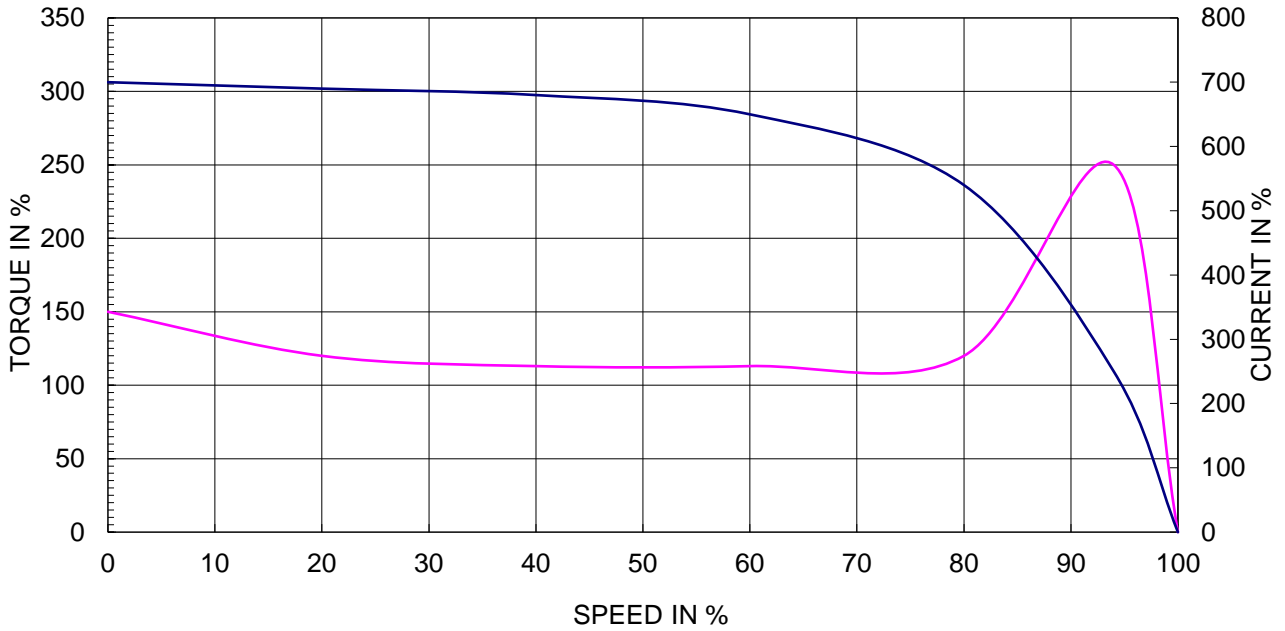
CURVE NO.

P-TNBJ2S02055

TYPE :		
RATED TORQUE :	15.0	Kg.m
GD2 OF MOTOR :	1.6	Kg.m ²
(ALLOWABLE) GD2 OF LOA :	20.0	Kg.m ²

55 kW	2 P	60 Hz	
RATED SPEED :		3570 RPM	
VOLTAGE	440V	380 V	220V
RATED CURRENT	86.0A	99.6 A	172.0A

SPEED VS TORQUE & CURRENT CURVE



OUTPUT VS EFF., P.F & CURRENT CURVE

