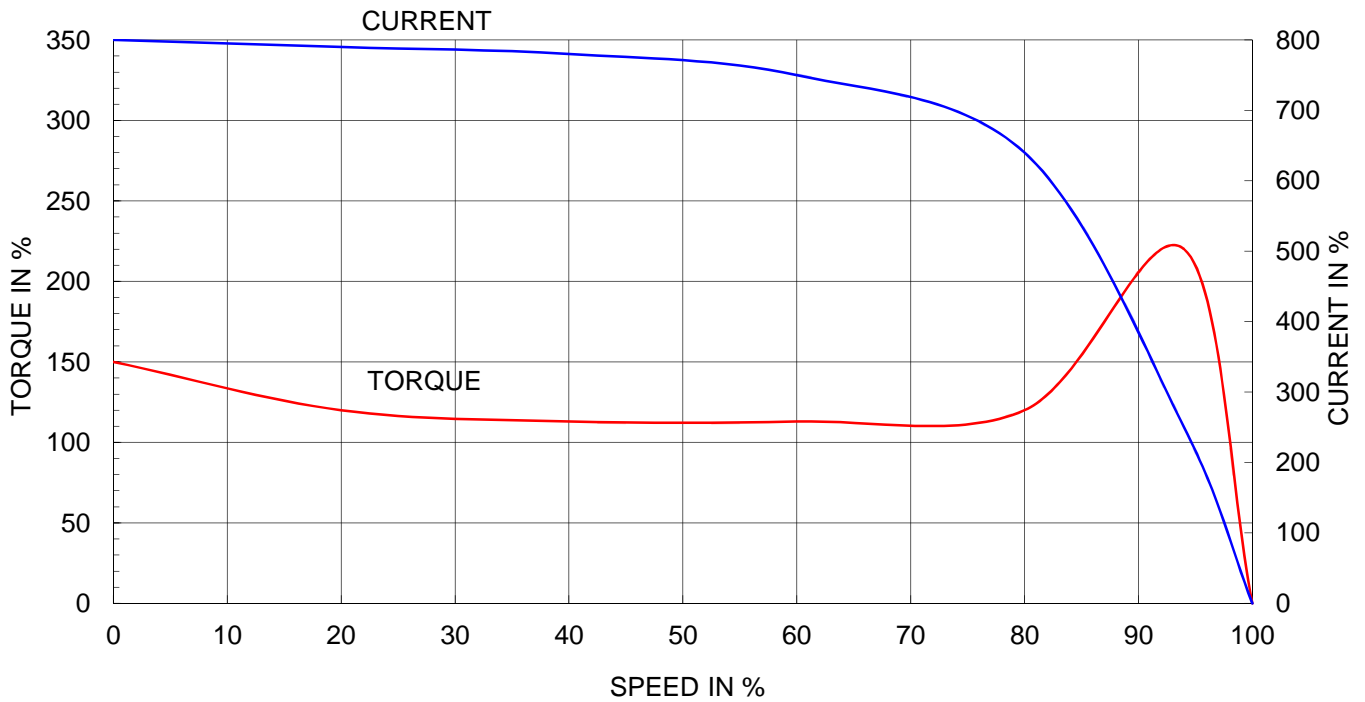




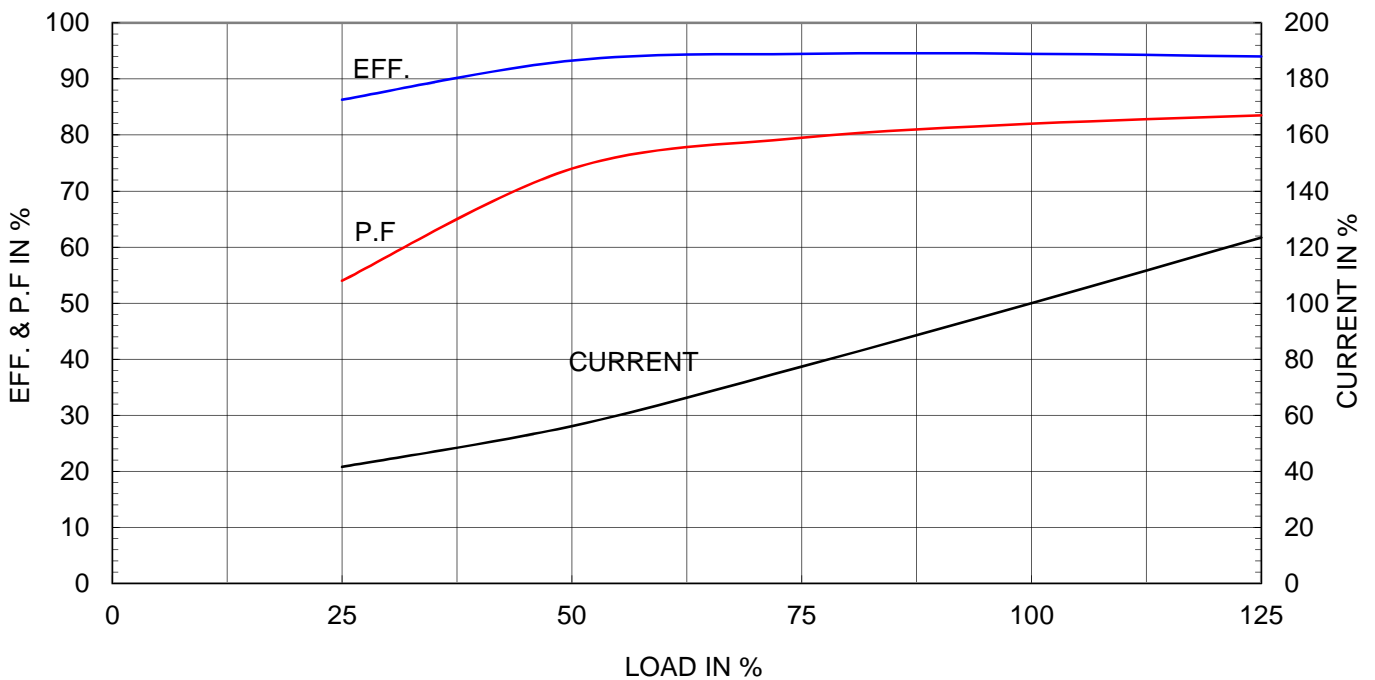
Type	:	HLP-37/4
Full Load Torque	:	20.2 Kg.m
Motor moment of Inertia (J)	:	0.350 Kg.m <sup>2</sup>
Load moment of Inertia (J)	:	20.200 Kg.m <sup>2</sup>

37 kW	4 P	60 Hz	
Speed at Full Load :		1780 RPM	
Rated Voltage	440V	380V	220V
Full Load Current	62.7A	72.5A	125.3A

SPEED VS TORQUE & CURRENT CURVE



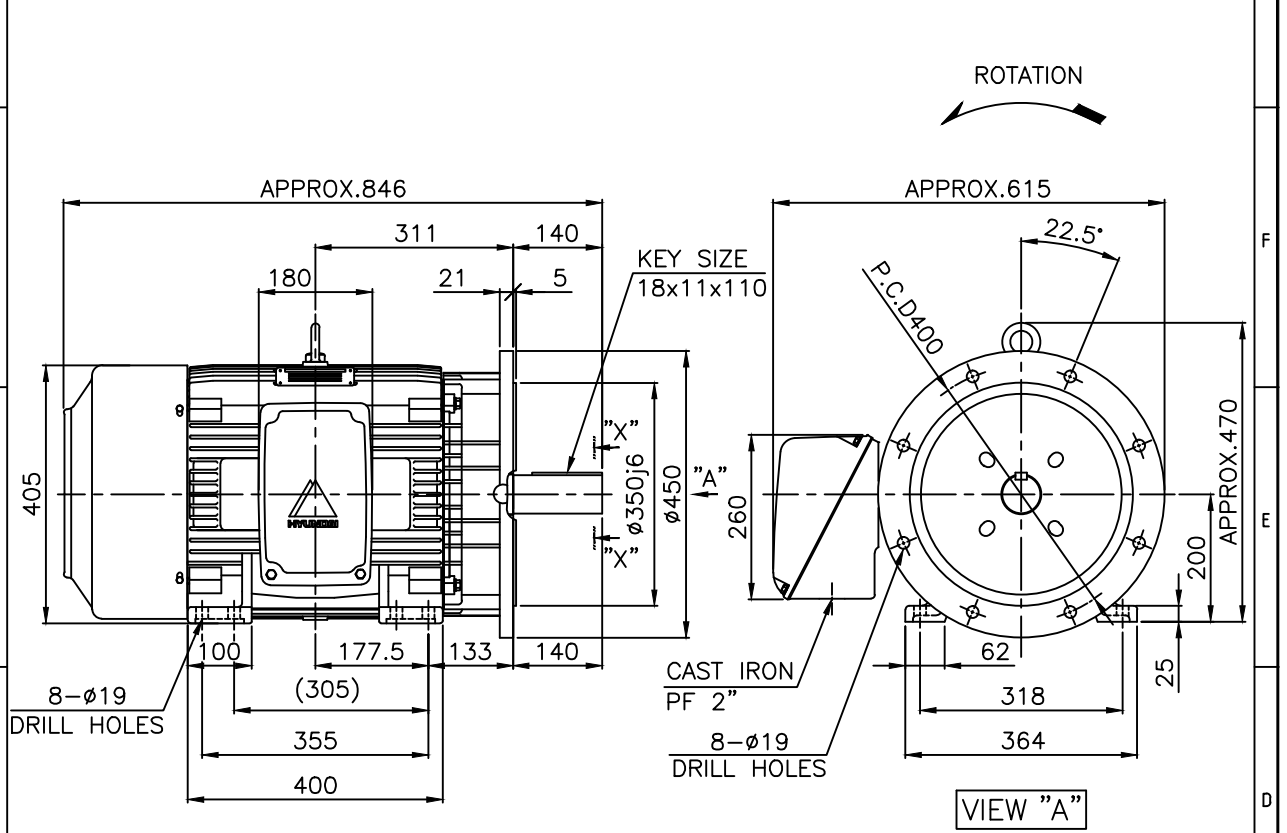
OUTPUT VS EFF., P.F & CURRENT CURVE



본 도면은 현대일렉트릭(주) 재산이므로  
허가없이 복사할 수 없음 (취급주의)

THIS DRAWING IS PROPRIETARY TO HYUNDAI ELECTRIC. NO PART OF THIS DRAWING  
MAY BE REPRODUCED WITHOUT THE PERMISSION OF HYUNDAI ELECTRIC.

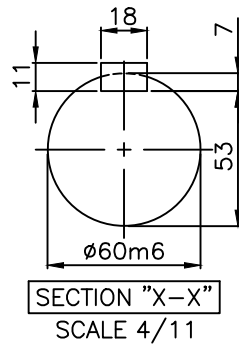
	1	2	3	4				
▽	50S	REV	DATE	CONTENTS	REVD BY	CHKD BY	CHKD BY	APPD BY
▽▽	12.5S							
▽▽▽	3.2S							
▽▽▽▽	0.4S							



**NOTE**

1.TOLERANCE :

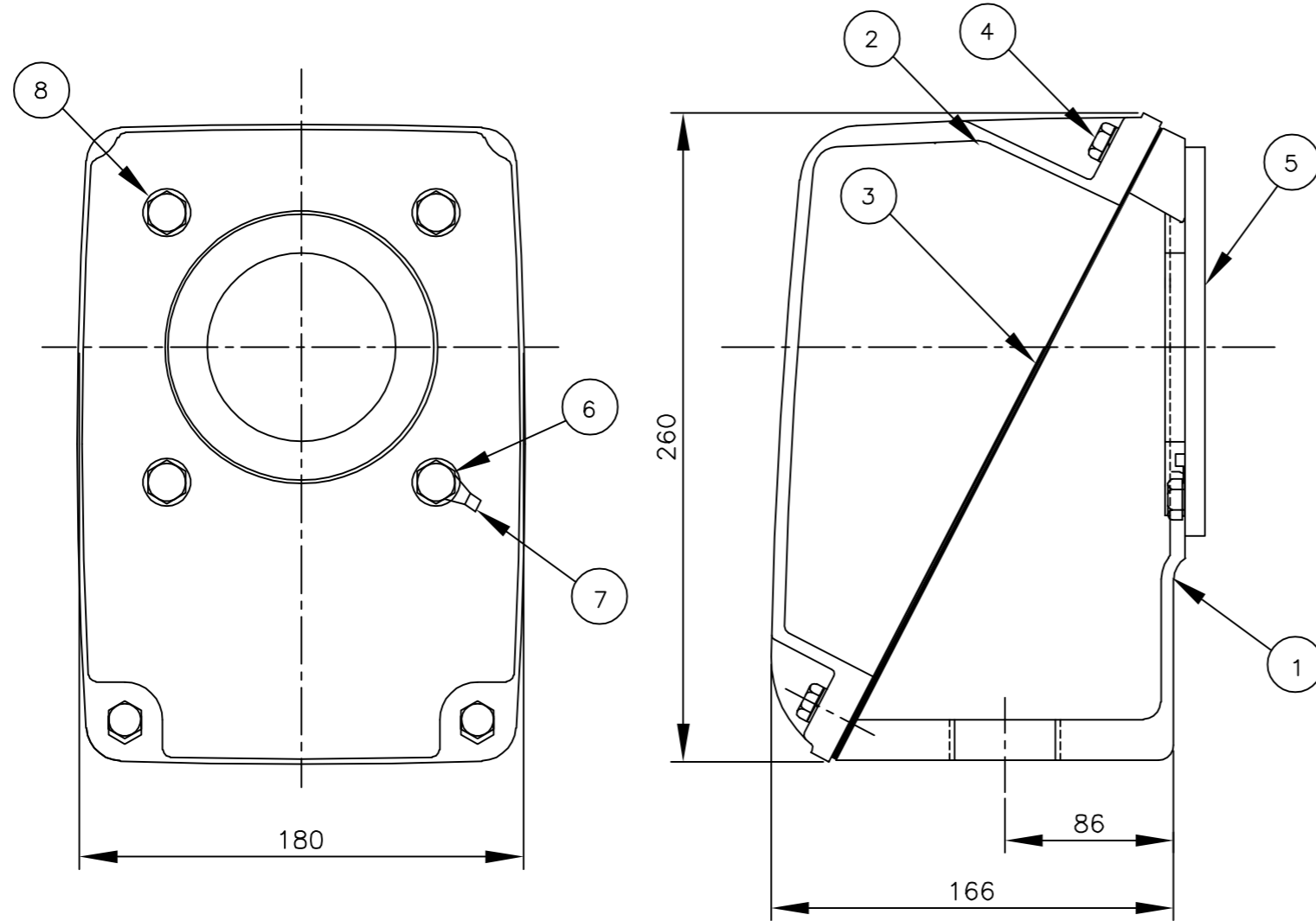
CENTER HEIGHT	200	0	-0.5
BASE HOLES	ø19	+0.52	0
FLANGE HOLES	ø19	+0.52	0
RABBET DIAMETER	ø350	±0.018	
SHAFT DIAMETER	ø60	+0.030	+0.011
KEYWAY WIDTH	18	0	-0.043
KEYWAY DEPTH	7	+0.2	0
KEY WIDTH	18	0	-0.043
KEY HEIGHT	11	0	-0.110



APPD BY	S.K.HAN	UNIT	mm	SUBJECT	KS, IEC Fr.200LL-4~20P	DWG SIZE	A4 ( 1:11 )
CHKD BY	S.Y.KIM	SCALE	1/11	TITLE	OUTLINE		
CHKD BY	R.G.KIM	PROJEC'N	3각법 (3rd Angle)	REF. NO		Sheet No.	of
DSND BY	S.H.YUN	DATE	2018-08-14	DWG NO	LM-T1207B4PL001	Revision No.	2

본 도면은 현대중공업(주) 재산이므로  
허가없이 복사할 수 없음 (취급유의)

THIS DRAWING IS PROPRIETARY TO HHI. NO PART OF THIS DRAWING  
MAYBE REPRODUCED WITHOUT THE PERMISSION OF HHI.



PT	DESCRIPTION	MATERIAL	DIMENSION	Q,TY
1	CONDUIT BOX	FC20		1
2	C/B COVER	FC20		1
3	GASKET(COVER)	N.B.R	T2X170X210	1
4	SCREW(COVER)	S45C	M8XL20	4
5	GASKET(C/B)	N.B.R		1
6	SCREW(C/B)	S45C	M8XL20	4
7	TERMINAL GROUND	CU	T1.6	1
8	WASHER	S45C	M8 X L10	4

▽	50S
▽▽	12.5S
▽▽▽	3.2S
▽▽▽▽	0.4S

REV	DATE	CONTENTS	REVD BY	CHKD BY	CHKD BY	APPD BY
1	12.01.27	CABLE 및 TAP 표시 삭제.	김양규	김옥진	김진홍	강경중

일반가공公差		일반제관公差	
1-4	±0.1	6-30	±0.5
4-18	±0.2	30-120	±0.8
18-63	±0.3	120-315	±1.2
63-250	±0.5	315-1000	±2.0
250-	±0.8	1000-	±3.0

Q'TY	DESCRIPTION	MATERIAL	DIMENSION	WEIGHT	PART NO.	REMARK	NO.
APPD BY	강경중	UNIT	mm	SUBJECT	IEC-Fr.200		DWG SIZE
CHKD BY	이노덕	SCALE	1/2	TITLE	Main Terminal Box Assembly		A3 (1:2)
CHKD BY	김인규	PROJEC'N	3각법(3rd Angle)	REF. NO	227B8003CB5	Sheet No.	of
DSND BY	김은성	DATE	2011-08-30	DWG NO	3M-145864	Revision No.	1