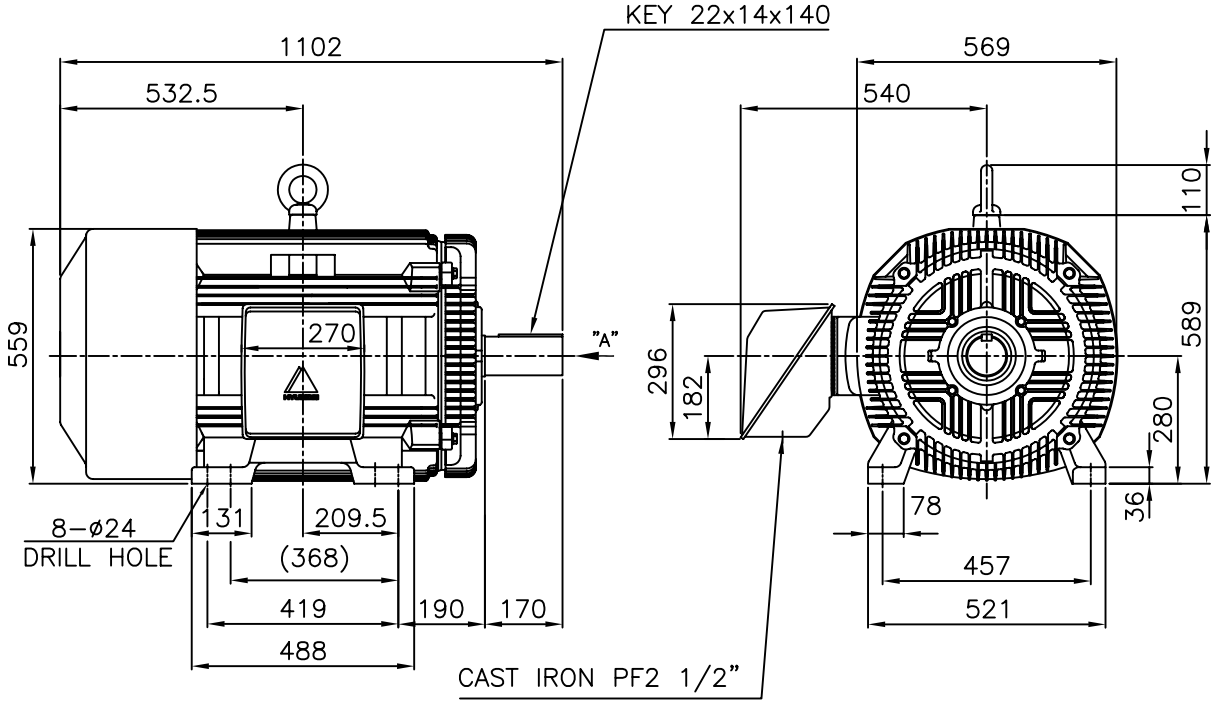


본 도면은 현대중공업(주) 재산이므로
허가없이 복사할 수 없습니다 (취급유의)

THIS DRAWING IS PROPRIETARY TO HHI. NO PART OF THIS DRAWING
MAYBE REPRODUCED WITHOUT THE PERMISSION OF HHI.

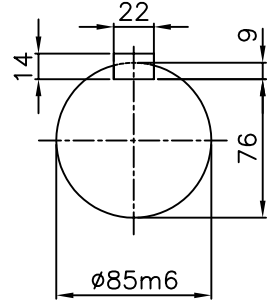
		<h1>TEFC</h1>		TYPE (1) TNB , TDB CAST IRON FRAME
		THREE PHASE INDUCTION MOTOR		



NOTE

1.TOLERANCE :

CENTER HEIGHT	280 $\begin{smallmatrix} 0 \\ -1.0 \end{smallmatrix}$
BASE HOLE	$\phi 24 \begin{smallmatrix} +0.43 \\ 0 \end{smallmatrix}$
SHAFT DIAMETER	$\phi 85 \begin{smallmatrix} +0.035 \\ +0.013 \end{smallmatrix}$
KEYWAY WIDTH	$22 \begin{smallmatrix} -0.022 \\ -0.074 \end{smallmatrix}$
KEYWAY DEPTH	$9 \begin{smallmatrix} +0.2 \\ 0 \end{smallmatrix}$
KEYWAY WIDTH	$22 \begin{smallmatrix} 0 \\ -0.052 \end{smallmatrix}$
KEYWAY DEPTH	$14 \begin{smallmatrix} 0 \\ -0.110 \end{smallmatrix}$



VIEW "A"
SCALE 4/1

2.The type (1)-"TNB , TDB" is for HHI's standard products and it can be changed for customer's requirements or detail designing.

TEFC STANDARD
CAD PROJ \ FILE
MMSTDMTR/TJ8MAP51

APPD BY	KANG K.J.	UNIT	MM
CHKD BY	KIM O.J.	SCALE	1/17
CHKD BY	LEE N.D.	PROJEC'N	3rd Angle
DSND BY	KIM RYANG GYU	DATE	2007.03.23

SUBJECT	KS Fr.280M TEFC
TITLE	OUTLINE THREE-PHASE INDUCTION MOTOR

REF. NO	L2-Series	Sheet No. of
DWG NO	TJ8MAP51	Revision No. 0



HYUNDAI

HEAVY INDUSTRIES CO., LTD

PERFORMANCE CURVE

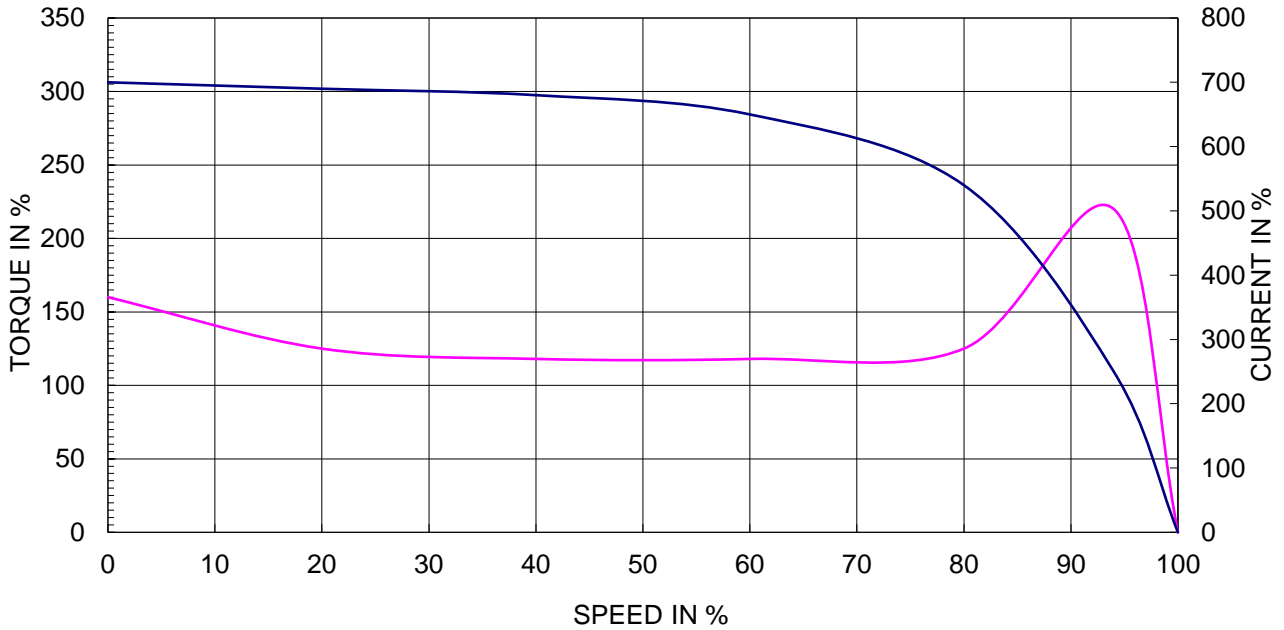
CURVE NO.

P-TNBJ8M04132

TYPE :		
RATED TORQUE :	72.6	Kg.m
GD2 OF MOTOR :	10.1	Kg.m ²
(ALLOWABLE) GD2 OF LOA	389.0	Kg.m ²

132 kW	4 P	60 Hz	
RATED SPEED :		1770 RPM	
VOLTAGE	440V	380 V	220V
RATED CURRENT	209.3A	242.3 A	418.5A

SPEED VS TORQUE & CURRENT CURVE



OUTPUT VS EFF., P.F & CURRENT CURVE

