



DATA SHEET of AC INDUCTION MOTOR

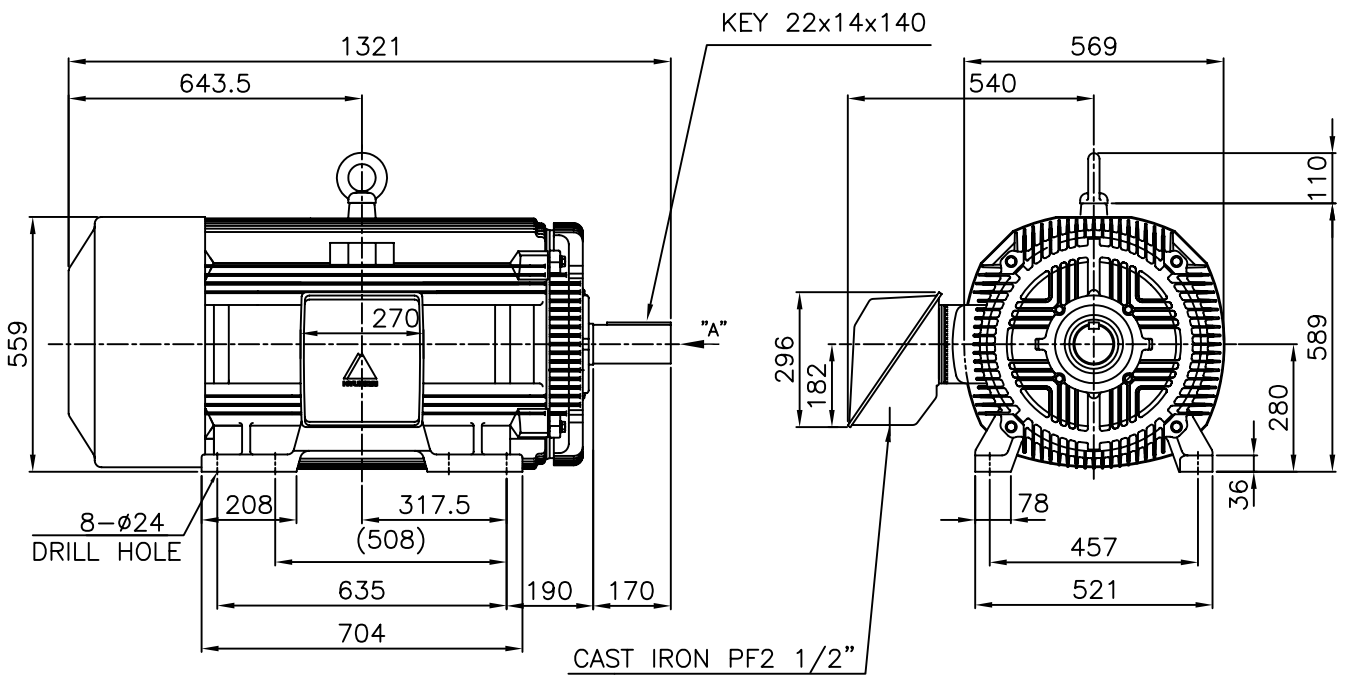
**150 HP - 8 P
TE**

DESIGN NO : **KS C4202-1996**

본 도면은 현대중공업(주) 재산이므로
허가없이 복사할 수 없음 (취급유의)

THIS DRAWING IS PROPRIETARY TO HHI. NO PART OF THIS DRAWING
MAYBE REPRODUCED WITHOUT THE PERMISSION OF HHI.

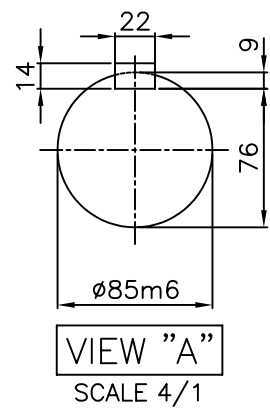
		<h1>TEFC</h1>		TYPE (1) TNB , TDB CAST IRON FRAME
		THREE PHASE INDUCTION MOTOR		



NOTE

1.TOLERANCE :

CENTER HEIGHT	280	0 -1.0
BASE HOLE	$\phi 24$	$+0.43$ 0
SHAFT DIAMETER	$\phi 85$	$+0.035$ $+0.013$
KEYWAY WIDTH	22	-0.022 -0.074
KEYWAY DEPTH	9	$+0.2$ 0
KEY WIDTH	22	0 -0.052
KEY HEIGHT	14	0 -0.110



2.The type (1)-"TNB , TDB" is for HHI's standard products and it can be changed for customer's requirements or detail designing.

TEFC STANDARD

CAD PROJ \ FILE
MMSTDMTR/TJ8XAP51

APPD BY	KANG K.J.	UNIT	MM
CHKD BY	KIM O.J.	SCALE	1/17
CHKD BY	LEE N.D.	PROJEC'N	3rd Angle
DSND BY	KIM RYANG GYU	DATE	2007.03.23

SUBJECT	KS Fr.280LL TEFC
TITLE	OUTLINE THREE-PHASE INDUCTION MOTOR

REF. NO	L2-Series	Sheet No. of
DWG NO	TJ8XAP51	Revision No. 0



HYUNDAI

HEAVY INDUSTRIES CO., LTD

PERFORMANCE CURVE

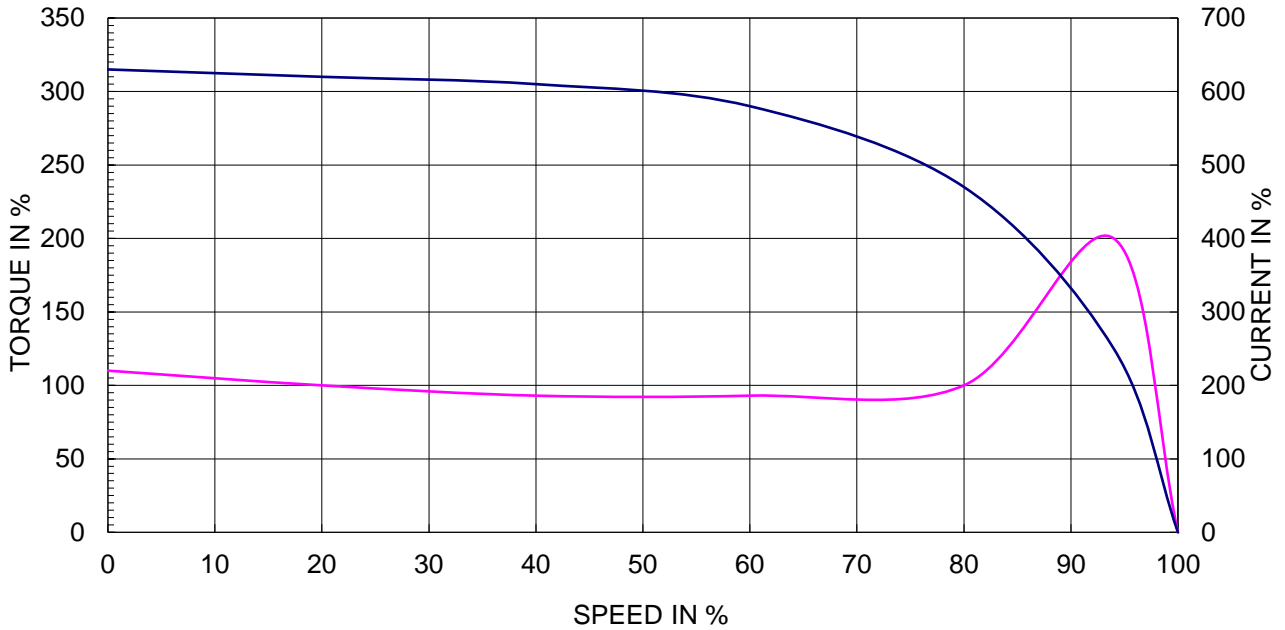
CURVE NO.

P-TNBJ8X08110

TYPE :		
RATED TORQUE :	121.8	Kg.m
GD2 OF MOTOR :	20.9	Kg.m ²
(ALLOWABLE) GD2 OF LOA	897.0	Kg.m ²

110 kW	8 P	60 Hz
RATED SPEED :		880 RPM
VOLTAGE	440V	380 V
RATED CURRENT	184.2A	213.2 A
		368.3A

SPEED VS TORQUE & CURRENT CURVE



OUTPUT VS EFF., P.F & CURRENT CURVE

