

Customer :
Project Name :
Project No. :
Revision No. :

SPECIFICATION for INDUCTION MOTOR



Contents

- | | |
|--------------------------------------|-----------|
| 1 . Data Sheet of AC Induction Motor | - 1Sheets |
| 2 . Speed-Torque & Current Curve | - 1Sheets |
| 3 . Outline Dimension Drawing | - 1Sheets |
| 4 . Main Terminal Box Drawing | - 1Sheets |

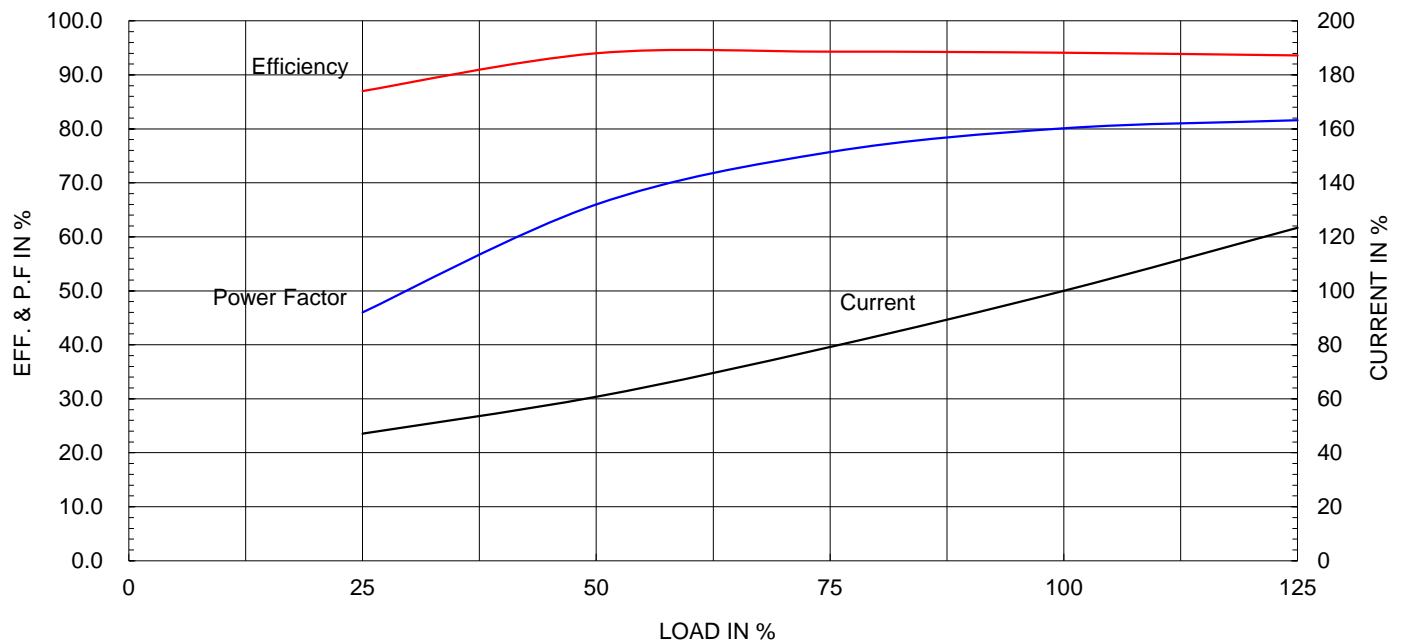
Type :	HLP-30/6	
Full Load Torque :	24.7	kg.m
Motor moment of Inertia (J) :	0.380	kg.m ²
Load moment of Inertia (J) :	50.000	kg.m ²

30 kW	6 P	60 Hz
Speed at Full Load :		1185 RPM
Rated Voltage	220V	
Full Load Current	104.5A	

SPEED VS TORQUE & CURRENT CURVE



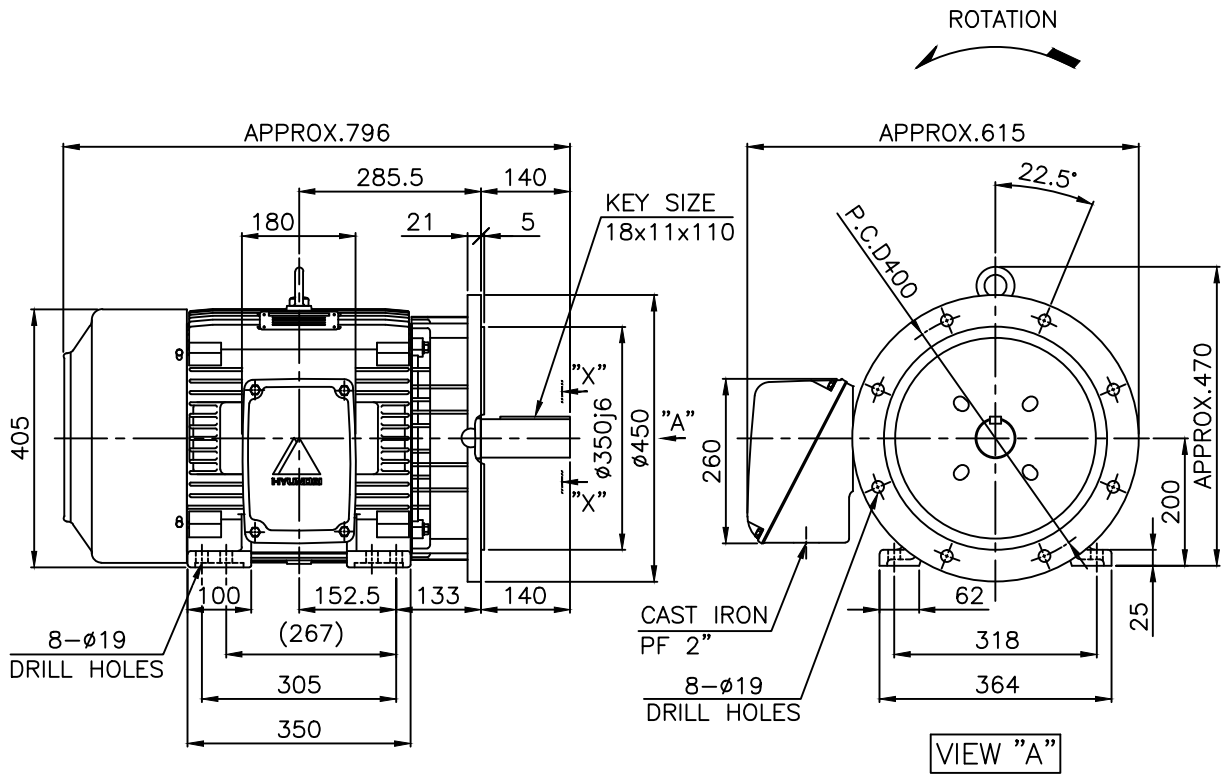
OUTPUT VS EFF., P.F & CURRENT CURVE



본 도면은 현대일렉트릭(주) 재산이므로
허가없이 복사할 수 없음 (취급주의)

THIS DRAWING IS PROPRIETARY TO HYUNDAI ELECTRIC. NO PART OF THIS DRAWING
MAY BE REPRODUCED WITHOUT THE PERMISSION OF HYUNDAI ELECTRIC.

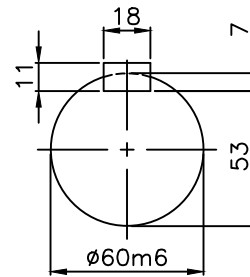
	1	2	3	4				
▽	50S	REV	DATE	CONTENTS	REVD BY	CHKD BY	CHKD BY	APPD BY
▽▽	12.5S							
▽▽▽	3.2S							
▽▽▽▽	0.4S							



NOTE

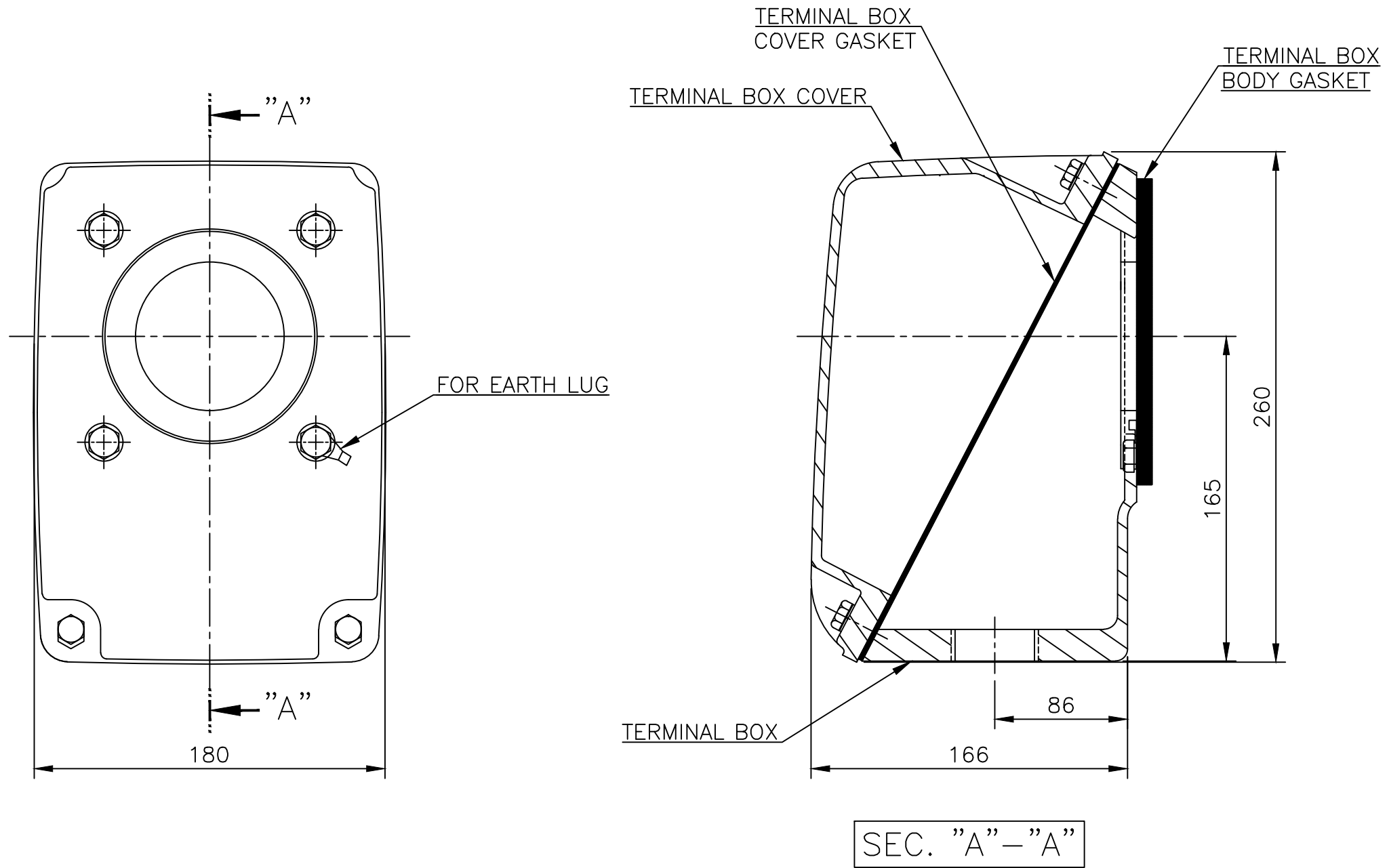
1.TOLERANCE :

CENTER HEIGHT	200	0	-0.5
BASE HOLES	ø19	+0.52	0
FLANGE HOLES	ø19	+0.52	0
RABBET DIAMETER	ø350	±0.018	
SHAFT DIAMETER	ø60	+0.030	+0.011
KEYWAY WIDTH	18	0	-0.043
KEYWAY DEPTH	7	+0.2	0
KEY WIDTH	18	0	-0.043
KEY HEIGHT	11	0	-0.110



SECTION "X-X"
SCALE 4/11

APPD BY	S.K.HAN	UNIT	mm	SUBJECT	KS, IEC Fr.200L-4*20P	DWG SIZE	A4 (1:11)
CHKD BY	S.Y.KIM	SCALE	1/11	TITLE	OUTLINE		
CHKD BY	R.G.KIM	PROJEC'N	3각법 (3rd Angle)	REF. NO		Sheet No.	of
DSND BY	S.H.YUN	DATE	2018-08-14	DWG NO	LM-T1205B4PL001	Revision No.	2



▽	50S
▽▽	12.5S
▽▽▽	3.2S
▽▽▽▽	0.4S

REV	DATE	CONTENTS	REVD BY	CHKD BY	CHKD BY	APPD BY	일반가공차		일반제관공차	
							1-4	±0.1	6-30	±0.5
							4-18	±0.2	30-120	±0.8
							18-63	±0.3	120-315	±1.2
							63-250	±0.5	315-1000	±2.0
							250-	±0.8	1000-	±3.0

Q'TY	DESCRIPTION	MATERIAL	DIMENSION	WEIGHT	PART NO.	REMARK	NO.
APPD BY	S.K.HAN	UNIT	mm	SUBJECT	FR.200 (CAST IRON)	DWG SIZE	
CHKD BY	S.Y.KIM	SCALE	1/2	TITLE			
CHKD BY	R.G.KIM	PROJEC'N	3각법(3rd Angle)	Main Terminal Box Assembly			
DSND BY	H.K.LEE	DATE	2011-08-30	REF. NO.	227B8003CB5	Sheet No.	of
				DWG NO.	3M-145864	Revision No.	2