

Customer :
Project Name :
Project No. :
Revision No. :

SPECIFICATION for INDUCTION MOTOR



Contents

- | | |
|--------------------------------------|-----------|
| 1 . Data Sheet of AC Induction Motor | - 1Sheets |
| 2 . Speed-Torque & Current Curve | - 1Sheets |
| 3 . Outline Dimension Drawing | - 1Sheets |
| 4 . Main Terminal Box Drawing | - 1Sheets |

AC INDUCTION MOTOR DATA SHEET

Model No.or RFQ No.	3806KSTD40SSDS1STFE3V11DL0SD	Item No.		Rev. No.	[]					
Project Name		Project No.		Quantity						
GENERAL SPECIFICATION			PERFORMANCE DATA							
Frame Size	180L	Rated Output	30 kW	40 HP						
Type	HLP-30/2	Number of Poles	2							
Enclosure(Protection)	Totally Enclosed (IP55)	Rotor Type	Squirrel Cage							
Method of Cooling	IC411(FC)	Starting Method*	<input checked="" type="checkbox"/> D.O.L	<input type="checkbox"/> Y-Δ						
Rated Frequency	60 Hz	Rated Voltage	380 V							
Number of Phases	3	Current	Full Load	55.1 A						
Insulation Class	<input checked="" type="checkbox"/> F <input type="checkbox"/> B <input type="checkbox"/> H		Locked-rotor**	950 %						
Temp. Rise at full load (by resistance method)		Efficiency								
at 1.0 S.F	80 deg. C									
Motor Location	<input checked="" type="checkbox"/> Indoor <input type="checkbox"/> Outdoor									
Altitude	Less than 1000	100% Load		92.4 %						
Relative Humidity	Less than 80 %	Power Factor(p.u)								
Ambient Temp.	40 deg. C (Max.)									
Duty Type	Continuous(S1)									
Service Factor	1.15	100% Load		0.895						
Mounting	<input type="checkbox"/> B3 <input type="checkbox"/> B5 <input checked="" type="checkbox"/> V1 <input type="checkbox"/> B3/B5	Speed at Full Load		3560 r.p.m						
Bearing	Type	Anti-Friction								
	DE/N-DE	6212ZZC3 / 6310ZZC3								
	Lubricant	Grease(Polyrex-EM)								
External Thrust	Not applicable									
Coupling Method	<input checked="" type="checkbox"/> Direct <input type="checkbox"/> V-Belt	Moment of Inertia (J)								
Shaft Extension	<input checked="" type="checkbox"/> Single <input type="checkbox"/> Double									
Terminal Box	Main					<input type="checkbox"/> Steel <input checked="" type="checkbox"/> Cast Iron	Load(Max.)		3.000 kg·m ²	
	Aux.	<input type="checkbox"/> Yes <input checked="" type="checkbox"/> No	Motor		0.088 kg·m ²					
	Location	Refer to Outline Drawing								
Application		Sound Pressure Level (No-load & mean value at 1m from motor)								
Area classification	Not applicable	86 dB(A)								
Type of Ex-Protection	Non-Hazardous	Vibration								
Applicable Standard	KS, IEC, NEMA MG1 Part30(Vpeak)	2.2 mm/sec (r.m.s)								
ACCESSORIES										
						SUBMITTAL DRAWING				
						Outline Dimension Drawing		Motor Weight(Approx.)		
	V1	LM-T1185V1PL001	199 kg							
Main T-Box Ass'y		3M-145860								
REMARK										
*.Premium Efficiency(IE3)										
*.For use on PWM VFD 10:1VT,3:1CT@1.0S.F&F Temp.rise										
SPARE PARTS										
Date		DSND	CHKD	CHKD	APPD					
2018-04-25		R.G. KIM	-	O.J. KIM	S.K. HAN					

Note: Others not mentioned in this data sheet shall be in accordance with maker standard.
 Above technical data are only design values and shall be guaranteed with tolerance of applicable standard.
 Inspection and performance test shall be maker standard, if not mentioned.
 * In case of Inverter-Fed Motor, performance data is based on sine wave tests.
 ** The data are based on rated voltage & frequency, and data are expressed as a percentage of full load value.

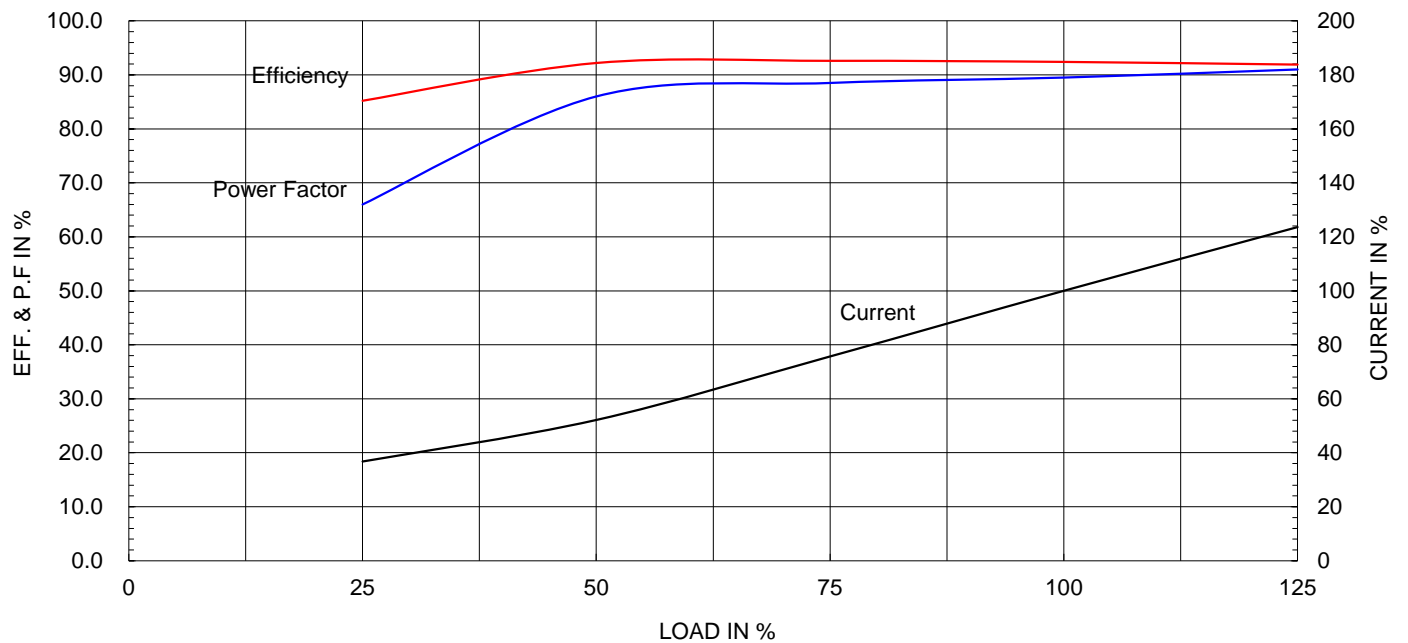
Type :	HLP-30/2	
Full Load Torque :	8.2	kg.m
Motor moment of Inertia (J) :	0.088	kg.m ²
Load moment of Inertia (J) :	3.000	kg.m ²

30 kW	2 P	60 Hz
Speed at Full Load :		3560 RPM
Rated Voltage	380V	
Full Load Current	55.1A	

SPEED VS TORQUE & CURRENT CURVE



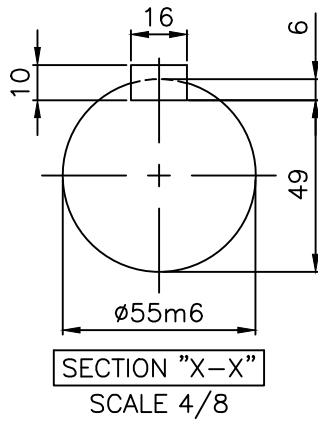
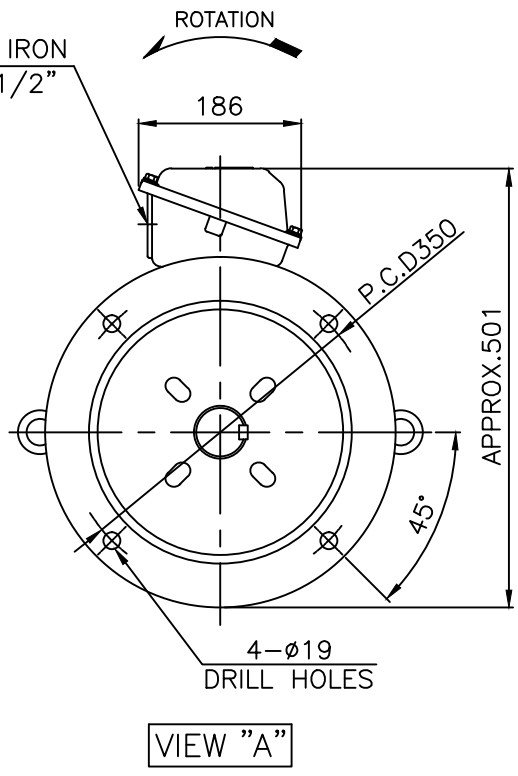
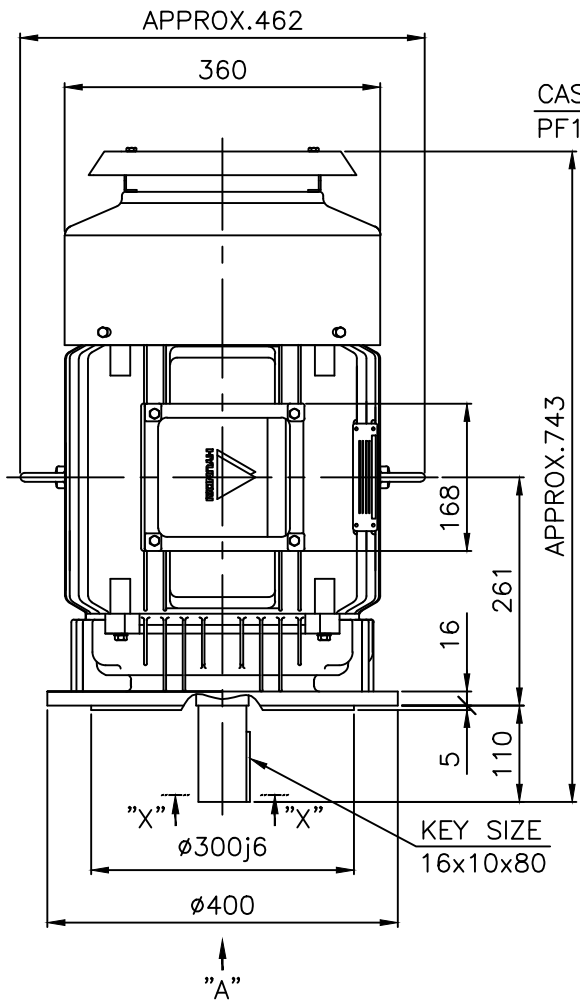
OUTPUT VS EFF., P.F & CURRENT CURVE



본 도면은 현대일렉트릭(주) 재산이므로
허가없이 복사할 수 없음 (취급주의)

THIS DRAWING IS PROPRIETARY TO HYUNDAI ELECTRIC. NO PART OF THIS DRAWING
MAY BE REPRODUCED WITHOUT THE PERMISSION OF HYUNDAI ELECTRIC.

	1	2	3	4				
▽	50S	REV	DATE	CONTENTS	REVD BY	CHKD BY	CHKD BY	APPD BY
▽▽	12.5S							
▽▽▽	3.2S							
▽▽▽▽	0.4S							



NOTE

1. TOLERANCE :

FLANGE HOLES	ø19	+0.52 0
RABBET DIAMETER	ø300	±0.016
SHAFT DIAMETER	ø55	+0.030 +0.011
KEYWAY WIDTH	16	0 -0.043
KEYWAY DEPTH	6	+0.2 0
KEY WIDTH	16	0 -0.043
KEY HEIGHT	10	0 -0.090

APPD BY	S.K.HAN	UNIT	mm	SUBJECT	KS, IEC Fr.180L	DWG SIZE	A4 (1:8)
CHKD BY	S.Y.KIM	SCALE	1/8			TITLE	OUTLINE
CHKD BY	R.G.KIM	PROJEC'N	3각법 (3rd Angle)	REF. NO		Sheet No.	of
DSND BY	S.H.YUN	DATE	2018-07-04	DWG NO	LM-T1185V1PL001	Revision No.	2





▽	50S
▽▽	12.5S
▽▽▽	3.2S
▽▽▽▽	0.4S

REV	DATE	CONTENTS	REVD BY	CHKD BY	CHKD BY	APPD BY	일반가공공차		일반제관공차	
							1-4	±0.1	6-30	±0.5
							4-18	±0.2	30-120	±0.8
							18-63	±0.3	120-315	±1.2
							63-250	±0.5	315-1000	±2.0
							250-	±0.8	1000-	±3.0

Q'TY	DESCRIPTION	MATERIAL	DIMENSION	WEIGHT	PART NO.	REMARK	NO.
APPD BY	S.K.HAN	UNIT	mm	SUBJECT	FR.160~180 (CAST IRON)		DWG SIZE
CHKD BY	S.Y.KIM	SCALE	1/2	TITLE			A3 (1:2)
CHKD BY	R.G.KIM	PROJEC'N	3각법(3rd Angle)	Main Terminal Box Assembly			
DSND BY	H.K.LEE	DATE	2011-08-30	REF. NO.	227B8008LA2	Sheet No.	of
				DWG NO.	3M-145860	Revision No.	2