

Customer :  
Project Name :  
Project No. :  
Revision No. :

---

# SPECIFICATION for INDUCTION MOTOR



## Contents

- |                                      |           |
|--------------------------------------|-----------|
| 1 . Data Sheet of AC Induction Motor | - 1Sheets |
| 2 . Speed-Torque & Current Curve     | - 1Sheets |
| 3 . Outline Dimension Drawing        | - 1Sheets |
| 4 . Main Terminal Box Drawing        | - 1Sheets |

# AC INDUCTION MOTOR DATA SHEET

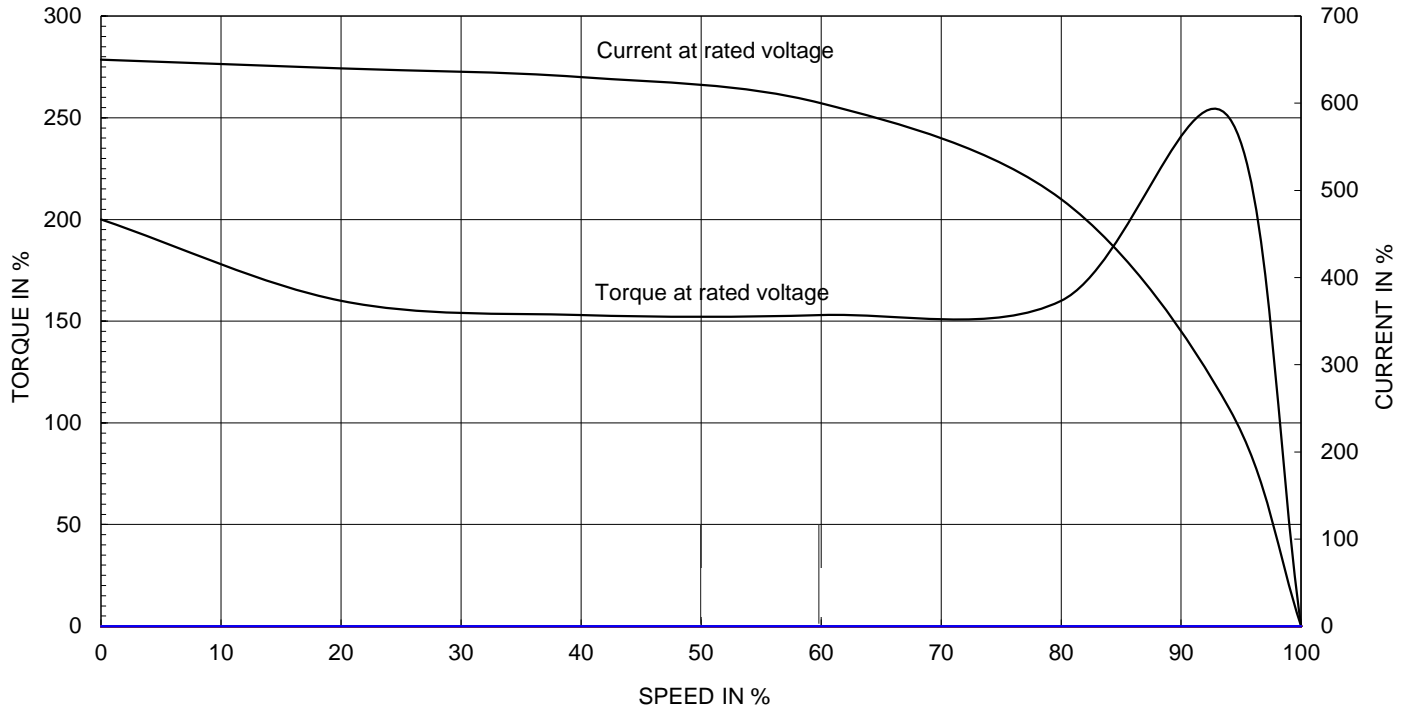
Model No.or RFQ No.	4406KSTD40SSDS1STFE3B51DL0SDS	Item No.		Rev. No.	[     ]		
Project Name		Project No.		Quantity			
GENERAL SPECIFICATION			PERFORMANCE DATA				
Frame Size	132S	Rated Output	3.7 kW	5 HP			
Type	HKP-3.7/6	Number of Poles	6				
Enclosure(Protection)	Totally Enclosed ( IP55 )	Rotor Type	Squirrel Cage				
Method of Cooling	IC411(FC)	Starting Method*	<input checked="" type="checkbox"/> D.O.L	<input type="checkbox"/> Y-Δ			
Rated Frequency	60 Hz	Rated Voltage	440 V				
Number of Phases	3	Current	Full Load	7.8 A			
Insulation Class	<input checked="" type="checkbox"/> F <input type="checkbox"/> B <input type="checkbox"/> H		Locked-rotor**	720 %			
Temp. Rise at full load (by resistance method)		Efficiency					
at 1.0 S.F	80 deg. C	50% Load		89.2 %			
Motor Location	<input checked="" type="checkbox"/> Indoor <input type="checkbox"/> Outdoor	75% Load		90.0 %			
Altitude	Less than 1000	100% Load		89.5 %			
Relative Humidity	Less than 80 %	Power Factor(p.u)					
Ambient Temp.	40 deg. C (Max.)	50% Load		0.520			
Duty Type	Continuous(S1)	75% Load		0.630			
Service Factor	1.15	100% Load		0.700			
Mounting	<input type="checkbox"/> B3 <input checked="" type="checkbox"/> B5 <input type="checkbox"/> V1 <input type="checkbox"/> B3/B5	Speed at Full Load	1170 r.p.m				
Bearing	Type	Anti-Friction					
	DE/N-DE	6208ZZC3 / 6208ZZC3					
	Lubricant	Grease(Polyrex-EM)					
External Thrust	Not applicable						
Coupling Method	<input checked="" type="checkbox"/> Direct <input type="checkbox"/> V-Belt	Moment of Inertia (J)					
Shaft Extension	<input checked="" type="checkbox"/> Single <input type="checkbox"/> Double	Load(Max.)		7.750 kg·m <sup>2</sup>			
Terminal Box	Main	<input type="checkbox"/> Steel <input checked="" type="checkbox"/> Cast Iron	Motor		0.052 kg·m <sup>2</sup>		
	Aux.	<input type="checkbox"/> Yes <input checked="" type="checkbox"/> No	Sound Pressure Level (No-load & mean value at 1m from motor)				
	Location	Refer to Outline Drawing					
Application		Vibration					
Area classification	Not applicable	Permissible number of consecutive starts		Cold	3 times		
Type of Ex-Protection	Non-Hazardous			Hot	2 times		
Applicable Standard	KS, IEC, NEMA MG1 Part30(Vpeak)	Paint	Munsell No.	4.4PB5.5/5.6(VL-451)			
ACCESSORIES			SUBMITTAL DRAWING				
			Outline Dimension Drawing		Motor Weight(Approx.)		
			B5	LM-T0131B5PL001	72 kg		
			Main T-Box Ass'y		3M-148549		
REMARK							
*.Premium Efficiency(IE3) *.For use on PWM VFD 10:1VT,3:1CT@1.0S.F&F Temp.rise							
SPARE PARTS							
		Date	DSND	CHKD	CHKD	APPD	
		2018-04-25	R.G. KIM	-	O.J. KIM	S.K. HAN	

Note: Others not mentioned in this data sheet shall be in accordance with maker standard.  
 Above technical data are only design values and shall be guaranteed with tolerance of applicable standard.  
 Inspection and performance test shall be maker standard, if not mentioned.  
 \* In case of Inverter-Fed Motor, performance data is based on sine wave tests.  
 \*\* The data are based on rated voltage & frequency, and data are expressed as a percentage of full load value.

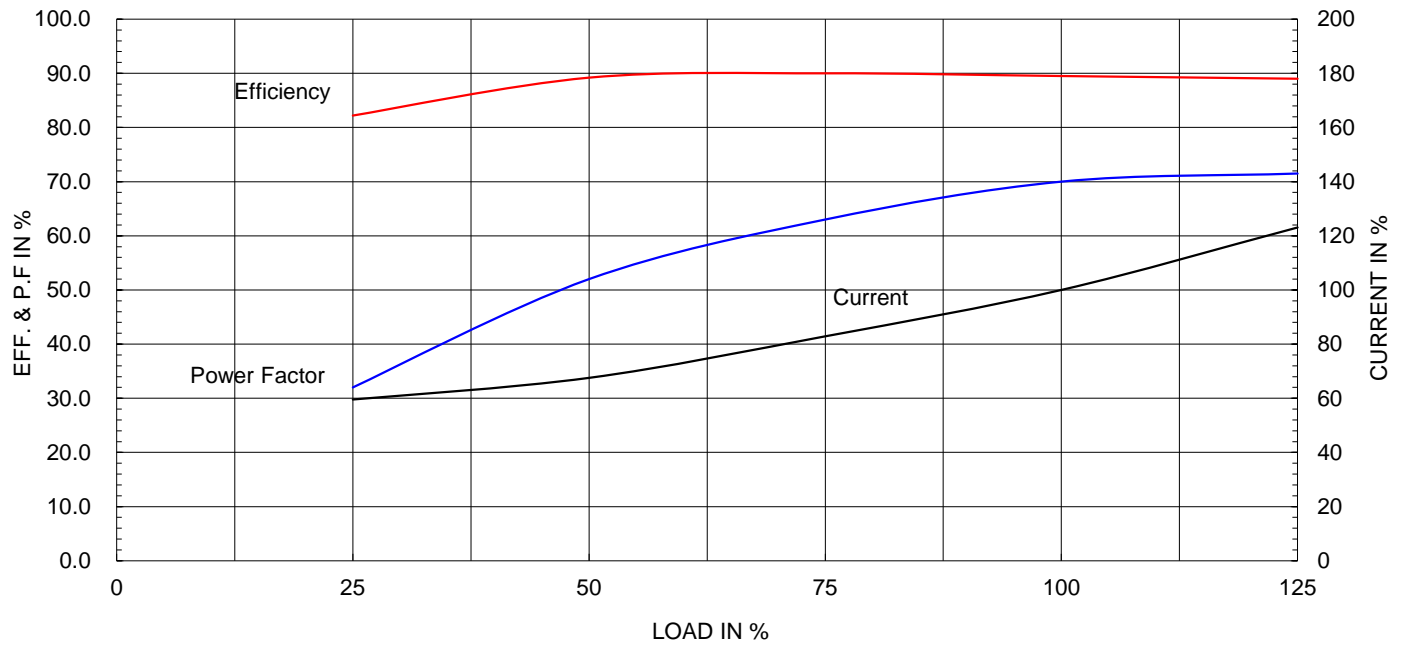
Type :	HKP-3.7/6	
Full Load Torque :	3.1	kg.m
Motor moment of Inertia (J) :	0.052	kg.m <sup>2</sup>
Load moment of Inertia (J) :	7.750	kg.m <sup>2</sup>

3.7 kW	6 P	60 Hz
Speed at Full Load :		1170 RPM
Rated Voltage	440V	
Full Load Current	7.7A	

SPEED VS TORQUE & CURRENT CURVE



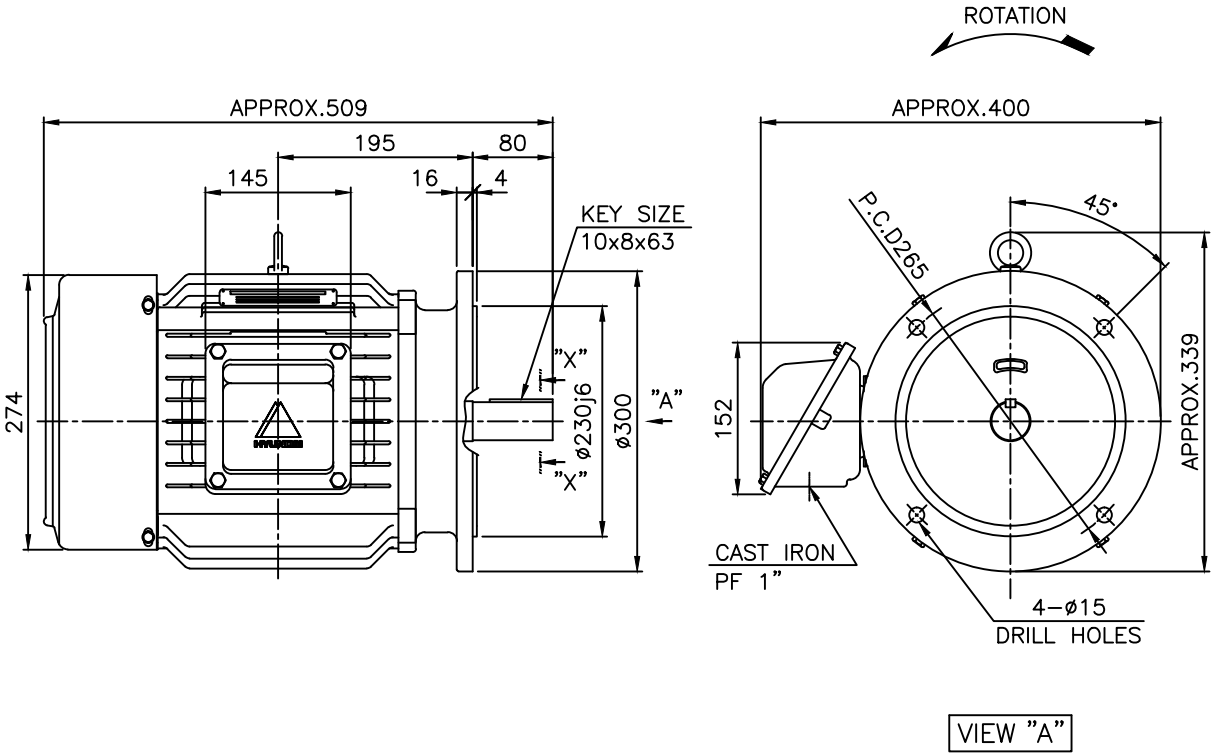
OUTPUT VS EFF., P.F & CURRENT CURVE



본 도면은 현대일렉트릭(주) 재산이므로  
허가없이 복사할 수 없음 (취급주의)

THIS DRAWING IS PROPRIETARY TO HYUNDAI ELECTRIC. NO PART OF THIS DRAWING  
MAY BE REPRODUCED WITHOUT THE PERMISSION OF HYUNDAI ELECTRIC.

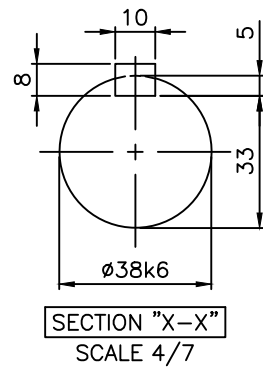
	1	2	3	4				
▽	50S	REV	DATE	CONTENTS	REVD BY	CHKD BY	CHKD BY	APPD BY
▽▽	12.5S							
▽▽▽	3.2S							
▽▽▽▽	0.4S							



**NOTE**

1.TOLERANCE :

FLANGE HOLES	φ15	+0.43 0
RABBET DIAMETER	φ230	+0.016 -0.013
SHAFT DIAMETER	φ38	+0.018 +0.002
KEYWAY WIDTH	10	0 -0.036
KEYWAY DEPTH	5	+0.2 0
KEY WIDTH	10	0 -0.036
KEY HEIGHT	8	0 -0.090



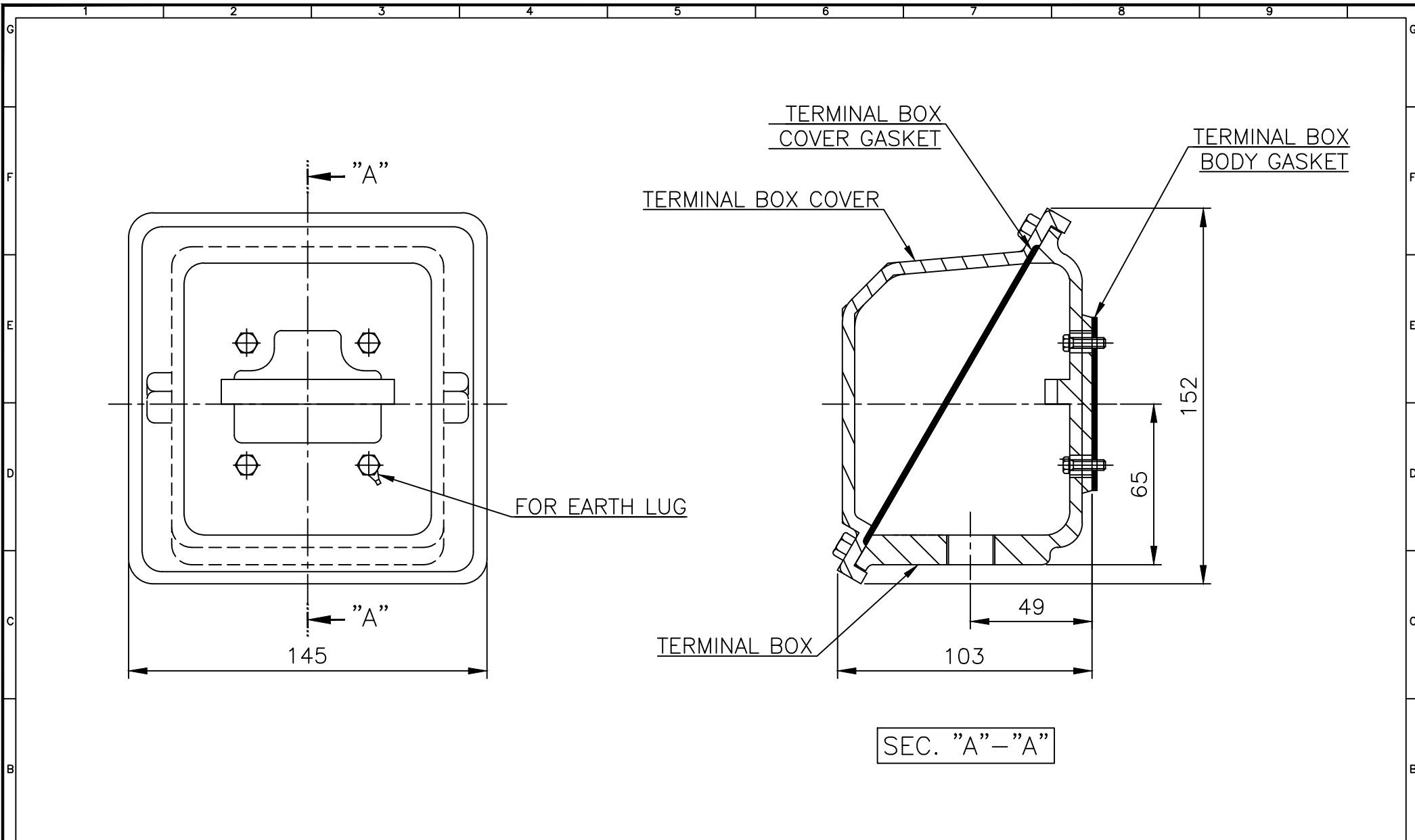
APPD BY	S.K.HAN	UNIT	mm	SUBJECT	KS, IEC Fr.132S(IE3, HK TYPE)	DWG SIZE
CHKD BY	S.Y.KIM	SCALE	1/7			A4 ( 1:7 )
CHKD BY	R.G.KIM	PROJEC'N	3각법 (3rd Angle)	TITLE <b>OUTLINE</b>		
DSND BY	S.H.YUN	DATE	2018-09-19			
				REF. NO		Sheet No. of
				DWG NO	LM-T0131B5PL001	Revision No. 0



HYUNDAI ELECTRIC

본 도면은 현대일렉트릭(주) 재산이므로 허가없이 복사할 수 없습니다 (취급주의)

THIS DRAWING IS PROPRIETARY TO HYUNDAI ELECTRIC. NO PART OF THIS DRAWING MAY BE REPRODUCED WITHOUT THE PERMISSION OF HYUNDAI ELECTRIC.



▽	50S
▽▽	12.5S
▽▽▽	3.2S
▽▽▽▽	0.4S

REV	DATE	CONTENTS	REVD BY	CHKD BY	CHKD BY	APPD BY

Q'TY	DESCRIPTION	MATERIAL	DIMENSION	WEIGHT	PART NO.	REMARK	NO.
APPD BY	S.K.HAN	UNIT	mm	SUBJECT	FR.100~132 (CAST IRON)	DWG SIZE	A3 ( 1:2 )
CHKD BY	S.Y.KIM	SCALE	1/2	TITLE	Terminal Box Arrangement		
CHKD BY	R.G.KIM	PROJEC'N	3각법 (3rd Angle)				
DSND BY	H.K.LEE	DATE	2011-10-26				
				REF. NO	227B8004CB	Sheet No.	of
				DWG NO	3M-148549	Revision No.	2

