

Customer :
Project Name :
Project No. :
Revision No. :

SPECIFICATION for INDUCTION MOTOR



Contents

- | | |
|--------------------------------------|-----------|
| 1 . Data Sheet of AC Induction Motor | - 1Sheets |
| 2 . Speed-Torque & Current Curve | - 1Sheets |
| 3 . Outline Dimension Drawing | - 1Sheets |
| 4 . Main Terminal Box Drawing | - 1Sheets |

AC INDUCTION MOTOR DATA SHEET

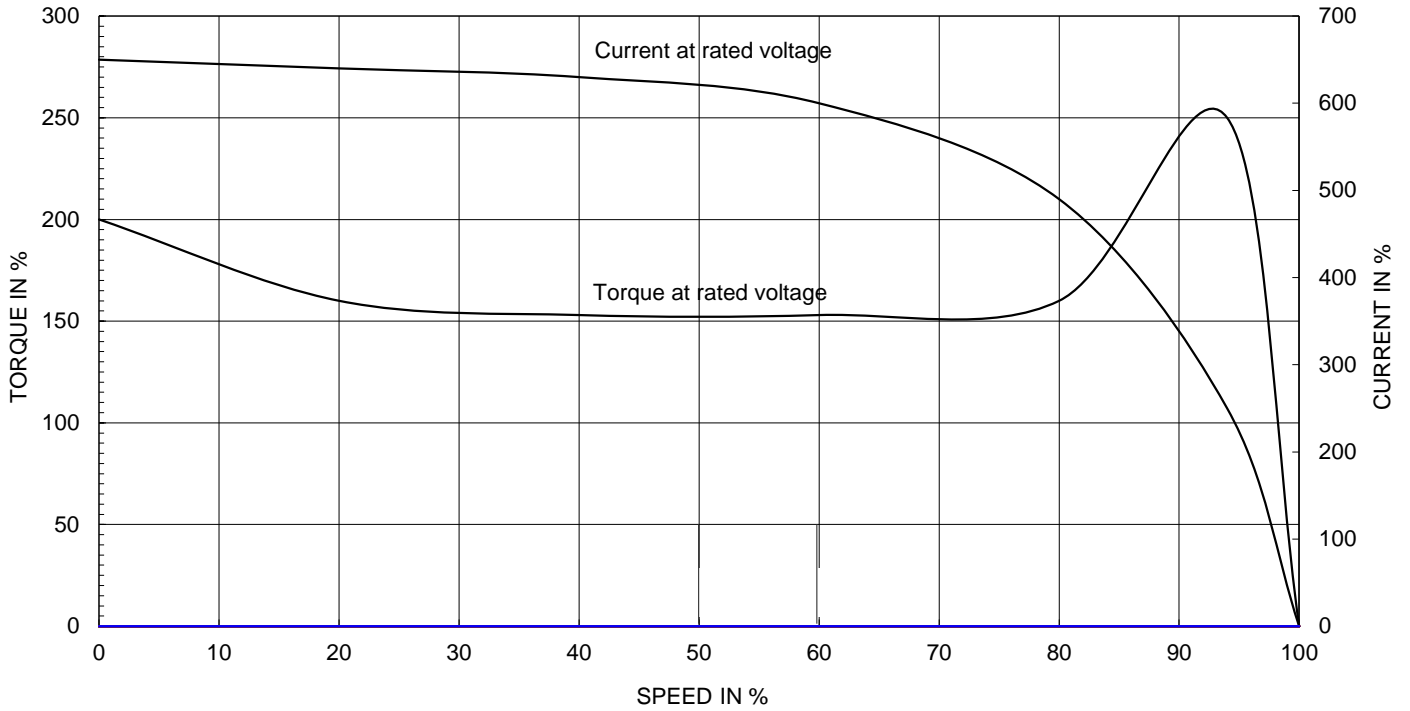
Model No.or RFQ No.	2206KSTD40SSDS1STFE3B51DL0SDS	Item No.		Rev. No.	[]	
Project Name		Project No.		Quantity		
GENERAL SPECIFICATION			PERFORMANCE DATA			
Frame Size	132S	Rated Output	3.7 kW	5 HP		
Type	HKP-3.7/6	Number of Poles	6			
Enclosure(Protection)	Totally Enclosed (IP55)	Rotor Type	Squirrel Cage			
Method of Cooling	IC411(FC)	Starting Method*	<input checked="" type="checkbox"/> D.O.L	<input type="checkbox"/> Y-Δ		
Rated Frequency	60 Hz	Rated Voltage	220 V			
Number of Phases	3	Current	Full Load	15.5 A		
Insulation Class	<input checked="" type="checkbox"/> F <input type="checkbox"/> B <input type="checkbox"/> H		Locked-rotor**	720 %		
Temp. Rise at full load (by resistance method)		Efficiency				
at 1.0 S.F	80 deg. C	50% Load		89.2 %		
Motor Location	<input checked="" type="checkbox"/> Indoor <input type="checkbox"/> Outdoor	75% Load		90.0 %		
Altitude	Less than 1000	100% Load		89.5 %		
Relative Humidity	Less than 80 %	Power Factor(p.u)				
Ambient Temp.	40 deg. C (Max.)	50% Load		0.520		
Duty Type	Continuous(S1)	75% Load		0.630		
Service Factor	1.15	100% Load		0.700		
Mounting	<input type="checkbox"/> B3 <input checked="" type="checkbox"/> B5 <input type="checkbox"/> V1 <input type="checkbox"/> B3/B5	Speed at Full Load		1170 r.p.m		
Bearing	Type	Anti-Friction				
	DE/N-DE	6208ZZC3 / 6208ZZC3				
	Lubricant	Grease(Polyrex-EM)				
External Thrust		Not applicable				
Coupling Method		<input checked="" type="checkbox"/> Direct <input type="checkbox"/> V-Belt				
Shaft Extension		<input checked="" type="checkbox"/> Single <input type="checkbox"/> Double				
Terminal Box	Main	<input type="checkbox"/> Steel <input checked="" type="checkbox"/> Cast Iron				
	Aux.	<input type="checkbox"/> Yes <input checked="" type="checkbox"/> No				
	Location	Refer to Outline Drawing				
Application		Vibration				
Area classification		Not applicable				
Type of Ex-Protection		Non-Hazardous				
Applicable Standard		KS, IEC, NEMA MG1 Part30(Vpeak)				
ACCESSORIES			SUBMITTAL DRAWING			
		Outline Dimension Drawing		Motor Weight(Approx.)		
		B5	LM-T0131B5PL001	72 kg		
		Main T-Box Ass'y		3M-148549		
REMARK						
*.Premium Efficiency(IE3) *.For use on PWM VFD 10:1VT,3:1CT@1.0S.F&F Temp.rise						
SPARE PARTS						
		Date	DSND	CHKD	CHKD	APPD
		2018-04-25	R.G. KIM	-	O.J. KIM	S.K. HAN

Note: Others not mentioned in this data sheet shall be in accordance with maker standard.
 Above technical data are only design values and shall be guaranteed with tolerance of applicable standard.
 Inspection and performance test shall be maker standard, if not mentioned.
 * In case of Inverter-Fed Motor, performance data is based on sine wave tests.
 ** The data are based on rated voltage & frequency, and data are expressed as a percentage of full load value.

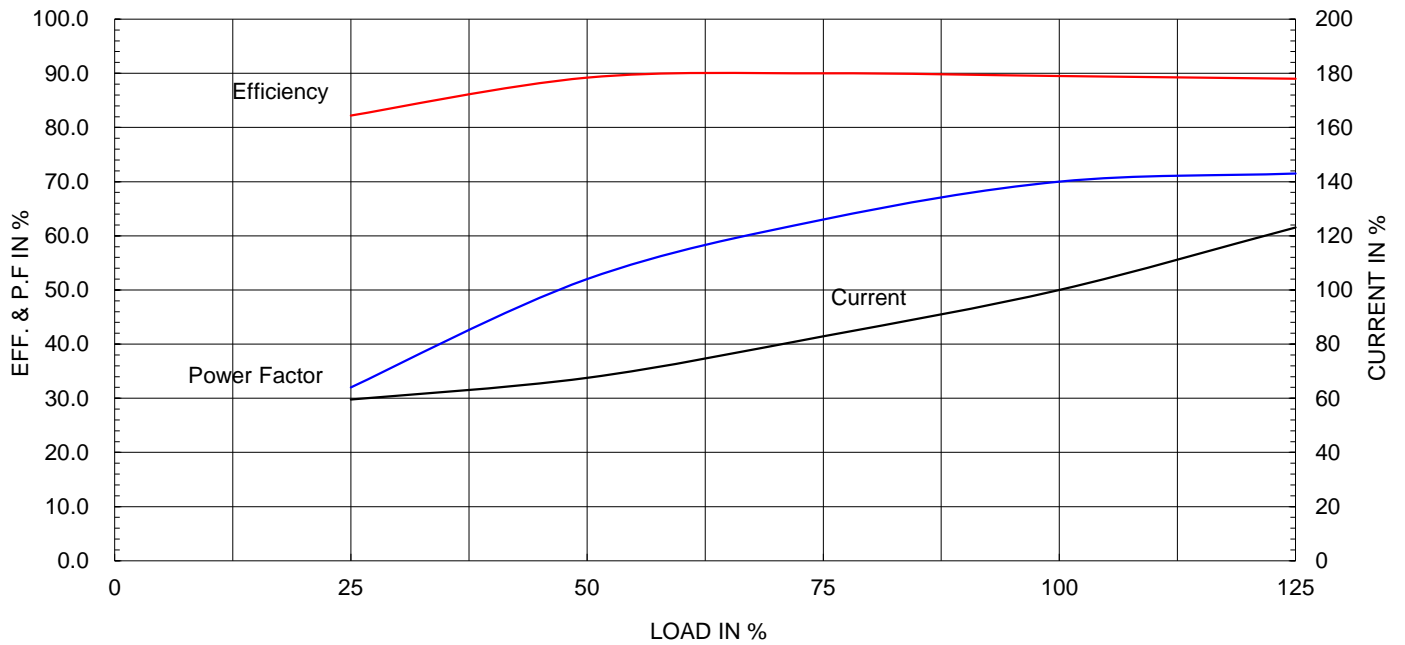
Type :	HKP-3.7/6	
Full Load Torque :	3.1	kg.m
Motor moment of Inertia (J) :	0.052	kg.m ²
Load moment of Inertia (J) :	7.750	kg.m ²

3.7 kW	6 P	60 Hz
Speed at Full Load :		1170 RPM
Rated Voltage	220V	
Full Load Current	15.5A	

SPEED VS TORQUE & CURRENT CURVE



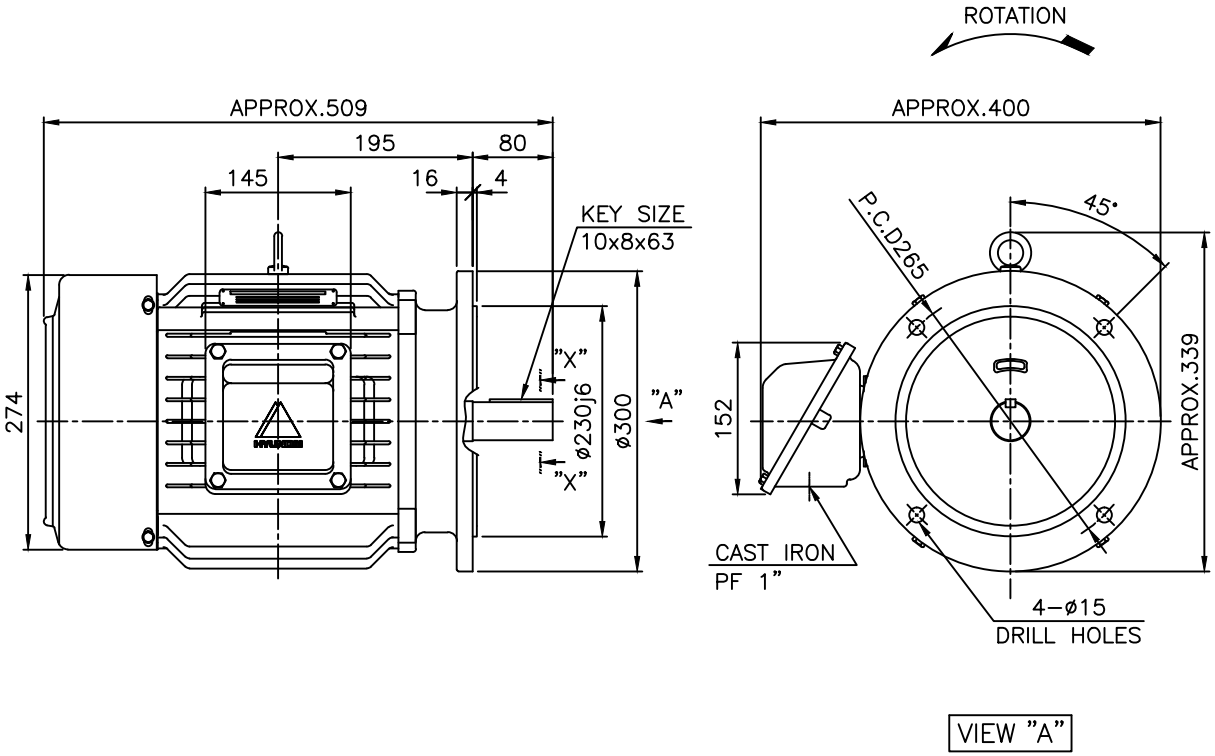
OUTPUT VS EFF., P.F & CURRENT CURVE



본 도면은 현대일렉트릭(주) 재산이므로
허가없이 복사할 수 없음 (취급주의)

THIS DRAWING IS PROPRIETARY TO HYUNDAI ELECTRIC. NO PART OF THIS DRAWING
MAY BE REPRODUCED WITHOUT THE PERMISSION OF HYUNDAI ELECTRIC.

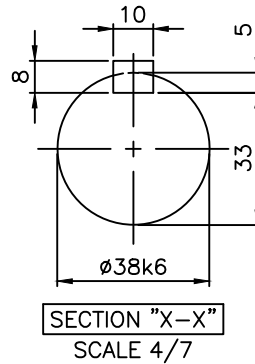
	1	2	3	4				
▽	50S	REV	DATE	CONTENTS	REVD BY	CHKD BY	CHKD BY	APPD BY
▽▽	12.5S							
▽▽▽	3.2S							
▽▽▽▽	0.4S							



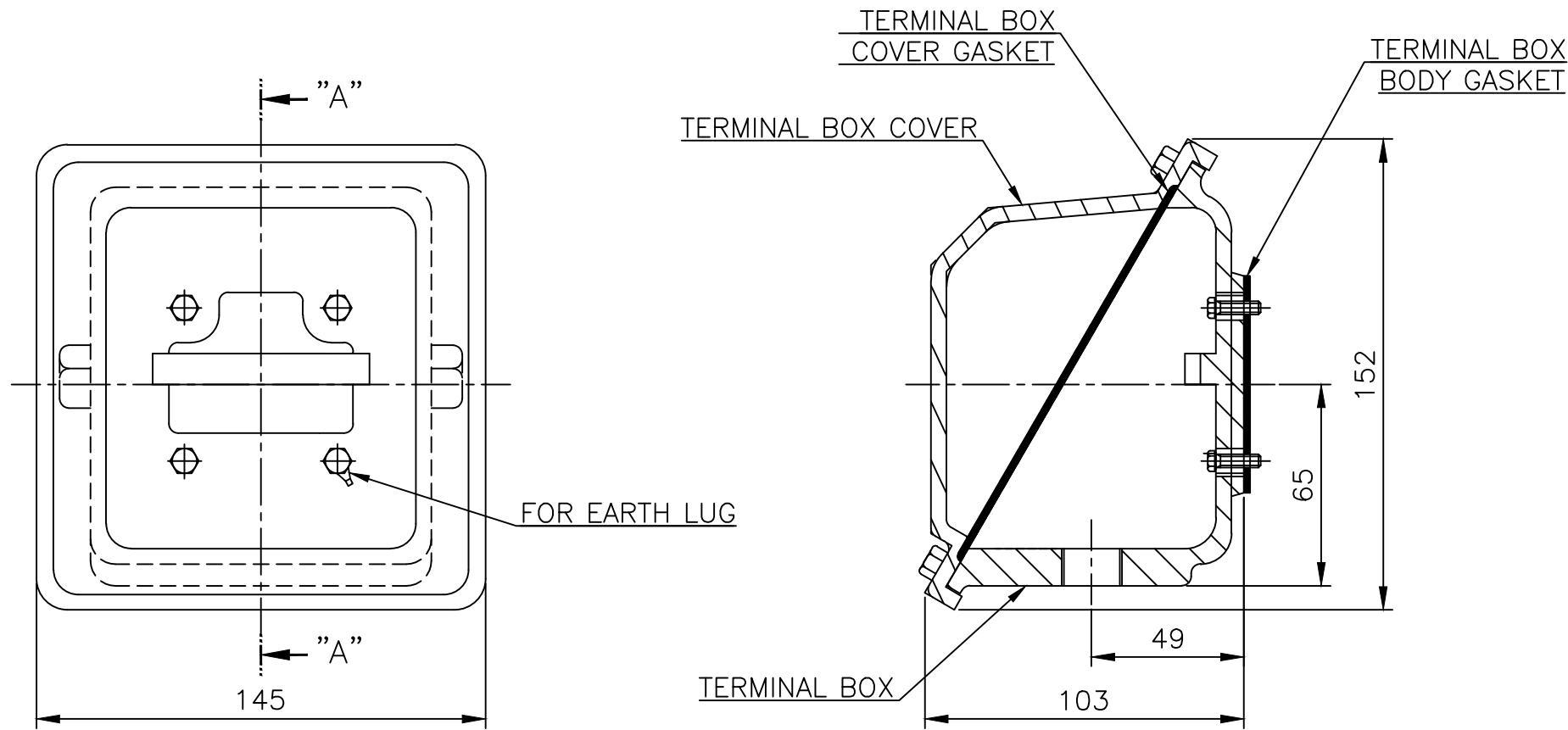
NOTE

1. TOLERANCE :

FLANGE HOLES	ø15	+0.43 0
RABBET DIAMETER	ø230	+0.016 -0.013
SHAFT DIAMETER	ø38	+0.018 +0.002
KEYWAY WIDTH	10	0 -0.036
KEYWAY DEPTH	5	+0.2 0
KEY WIDTH	10	0 -0.036
KEY HEIGHT	8	0 -0.090



APPD BY	S.K.HAN	UNIT	mm	SUBJECT	KS, IEC Fr.132S(IE3, HK TYPE)	DWG SIZE	A4 (1:1)
CHKD BY	S.Y.KIM	SCALE	1/7	TITLE OUTLINE			
CHKD BY	R.G.KIM	PROJEC'N	3각법 (3rd Angle)				
DSND BY	S.H.YUN	DATE	2018-09-19	REF. NO		Sheet No.	of
				DWG NO	LM-T0131B5PL001	Revision No.	0



SEC. "A" - "A"

▽	50S
▽▽	12.5S
▽▽▽	3.2S
▽▽▽▽	0.4S

REV	DATE	CONTENTS	REVD BY	CHKD BY	CHKD BY	APPD BY

Q'TY	DESCRIPTION	MATERIAL	DIMENSION	WEIGHT	PART NO.	REMARK	NO.
APPD BY	S.K.HAN	UNIT	mm	SUBJECT	FR.100~132 (CAST IRON)	DWG SIZE	A3 (1:2)
CHKD BY	S.Y.KIM	SCALE	1/2	TITLE			
CHKD BY	R.G.KIM	PROJEC'N	3각법 (3rd Angle)	Terminal Box Arrangement			
DSND BY	H.K.LEE	DATE	2011-10-26	REF. NO	227B8004CB	Sheet No.	of
				DWG NO	3M-148549	Revision No.	2

일반가공공차		일반재공공차	
1-4	±0.1	6-30	±0.5
4-18	±0.2	30-120	±0.8
18-63	±0.3	120-315	±1.2
63-250	±0.5	315-1000	±2.0
250-	±0.8	1000-	±3.0