

Customer :
Project Name :
Project No. :
Revision No. :

SPECIFICATION for INDUCTION MOTOR



Contents

- | | |
|--------------------------------------|-----------|
| 1 . Data Sheet of AC Induction Motor | - 1Sheets |
| 2 . Speed-Torque & Current Curve | - 1Sheets |
| 3 . Outline Dimension Drawing | - 1Sheets |
| 4 . Main Terminal Box Drawing | - 1Sheets |

AC INDUCTION MOTOR DATA SHEET

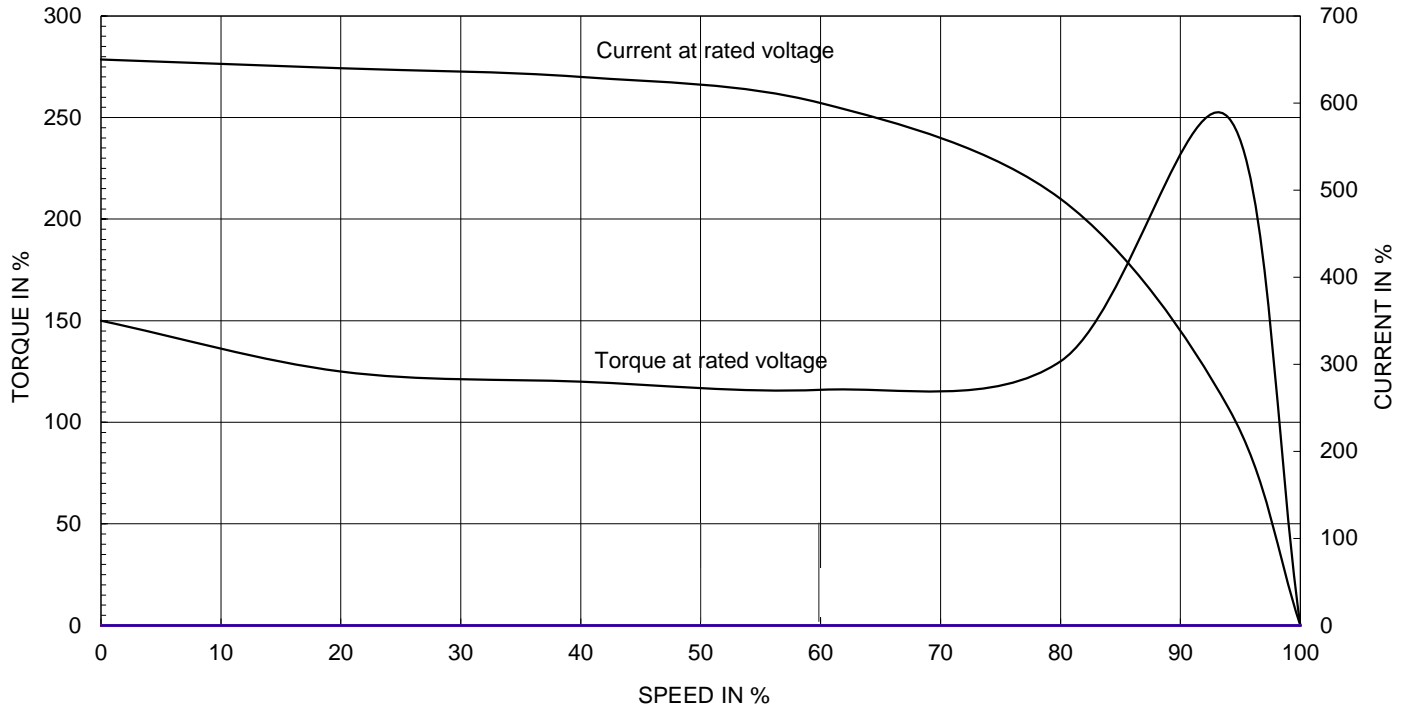
Model No.or RFQ No.	4406KSTD40SSDS1STFE3B31DL0SD3	Item No.		Rev. No.	[]					
Project Name		Project No.		Quantity						
GENERAL SPECIFICATION			PERFORMANCE DATA							
Frame Size	180L	Rated Output	22 kW	30 HP						
Type	HLP-22/6	Number of Poles	6							
Enclosure(Protection)	Totally Enclosed (IP55)	Rotor Type	Squirrel Cage							
Method of Cooling	IC411(FC)	Starting Method*	<input checked="" type="checkbox"/> D.O.L	<input type="checkbox"/> Y-Δ						
Rated Frequency	60 Hz	Rated Voltage	440 V							
Number of Phases	3	Current	Full Load	39.4 A						
Insulation Class	<input checked="" type="checkbox"/> F <input type="checkbox"/> B <input type="checkbox"/> H		Locked-rotor**	770 %						
Temp. Rise at full load (by resistance method)		Efficiency								
at 1.0 S.F	80 deg. C									
Motor Location	<input checked="" type="checkbox"/> Indoor <input type="checkbox"/> Outdoor									
Altitude	Less than 1000	50% Load		90.0 %						
Relative Humidity	Less than 80 %	75% Load		92.1 %						
Ambient Temp.	40 deg. C (Max.)	100% Load		93.0 %						
Duty Type	Continuous(S1)	Power Factor(p.u)								
Service Factor	1.15									
Mounting	<input checked="" type="checkbox"/> B3 <input type="checkbox"/> B5 <input type="checkbox"/> V1 <input type="checkbox"/> B3/B5									
Bearing	Type	Anti-Friction								
	DE/N-DE	6312ZZC3 / 6310ZZC3								
	Lubricant	Grease(Polyrex-EM)								
External Thrust	Not applicable									
Coupling Method	<input checked="" type="checkbox"/> Direct <input type="checkbox"/> V-Belt	Moment of Inertia (J)								
Shaft Extension	<input checked="" type="checkbox"/> Single <input type="checkbox"/> Double									
Terminal Box	Main					<input type="checkbox"/> Steel <input checked="" type="checkbox"/> Cast Iron	Load(Max.)		42.000 kg·m ²	
	Aux.	<input type="checkbox"/> Yes <input checked="" type="checkbox"/> No	Motor		0.270 kg·m ²					
	Location	Refer to Outline Drawing								
Application		Sound Pressure Level (No-load & mean value at 1m from motor)								
Area classification	Not applicable	68 dB(A)								
Type of Ex-Protection	Non-Hazardous	Vibration								
Applicable Standard	KS, IEC, NEMA MG1 Part30(Vpeak)	2.2 mm/sec (r.m.s)								
ACCESSORIES										
						SUBMITTAL DRAWING				
						Outline Dimension Drawing		Motor Weight(Approx.)		
						B3	LM-T1185B3PL001	186 kg		
						Main T-Box Ass'y	3M-145860			
REMARK										
*.Premium Efficiency(IE3)										
*.For use on PWM VFD 10:1VT,3:1CT@1.0S.F&F Temp.rise										
SPARE PARTS										
					Date	DSND	CHKD	CHKD	APPD	
2018-04-25	R.G. KIM	-	O.J. KIM	S.K. HAN						

Note: Others not mentioned in this data sheet shall be in accordance with maker standard.
 Above technical data are only design values and shall be guaranteed with tolerance of applicable standard.
 Inspection and performance test shall be maker standard, if not mentioned.
 * In case of Inverter-Fed Motor, performance data is based on sine wave tests.
 ** The data are based on rated voltage & frequency, and data are expressed as a percentage of full load value.

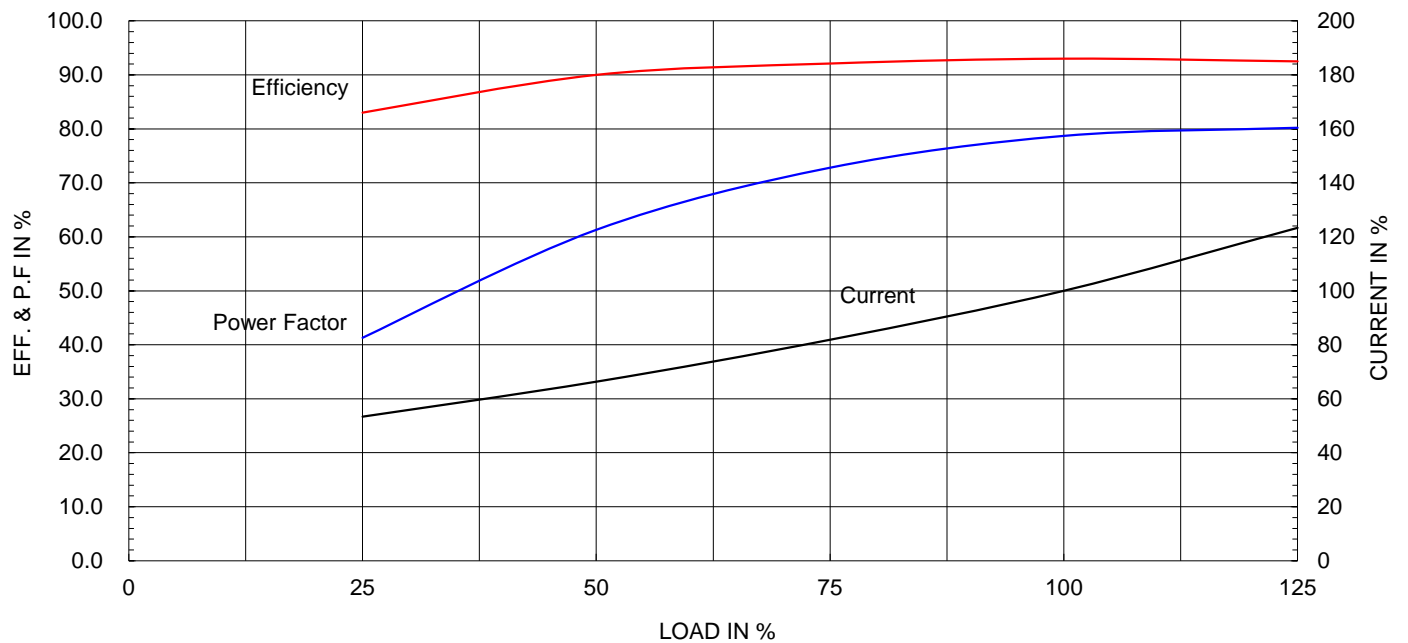
Type :	HLP-22/6	
Full Load Torque :	18.2	kg.m
Motor moment of Inertia (J) :	0.270	kg.m ²
Load moment of Inertia (J) :	42.000	kg.m ²

22 kW	6 P	60 Hz
Speed at Full Load :		1175 RPM
Rated Voltage	440V	
Full Load Current	39.4A	

SPEED VS TORQUE & CURRENT CURVE



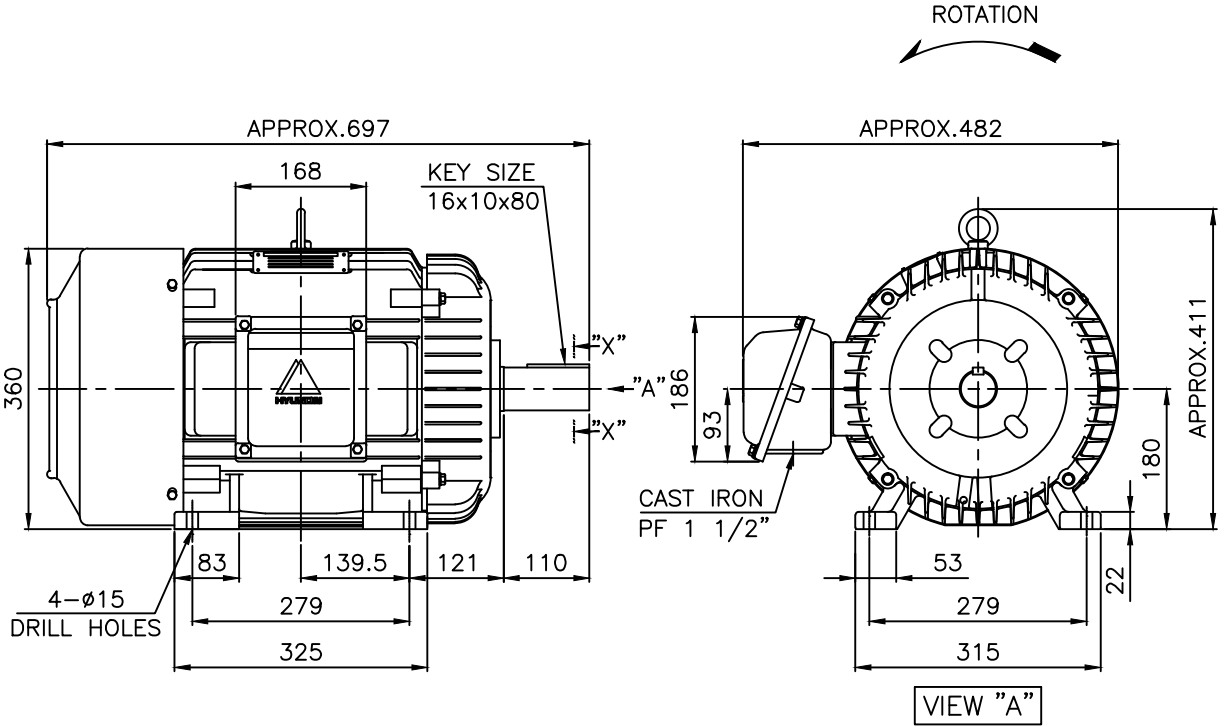
OUTPUT VS EFF., P.F & CURRENT CURVE



본 도면은 현대일렉트릭(주) 재산이므로
허가없이 복사할 수 없음 (취급주의)

THIS DRAWING IS PROPRIETARY TO HYUNDAI ELECTRIC. NO PART OF THIS DRAWING
MAY BE REPRODUCED WITHOUT THE PERMISSION OF HYUNDAI ELECTRIC.

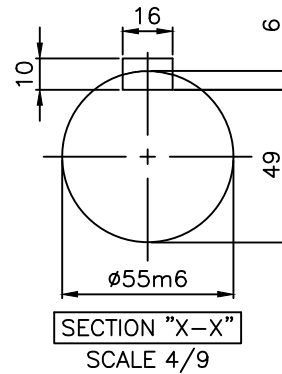
	1	2	3	4				
▽	50S	REV	DATE	CONTENTS	REVD BY	CHKD BY	CHKD BY	APPD BY
▽▽	12.5S							
▽▽▽	3.2S							
▽▽▽▽	0.4S							



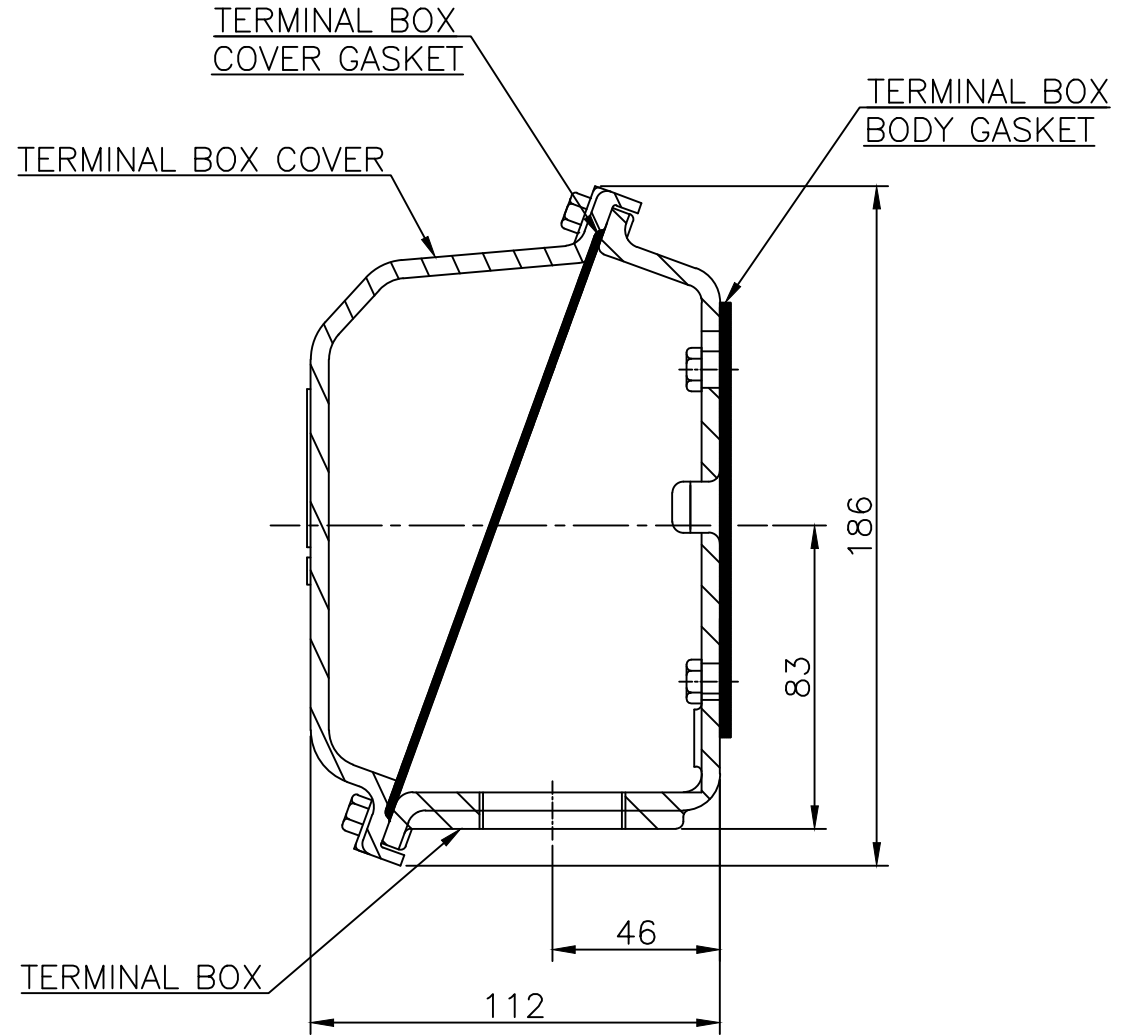
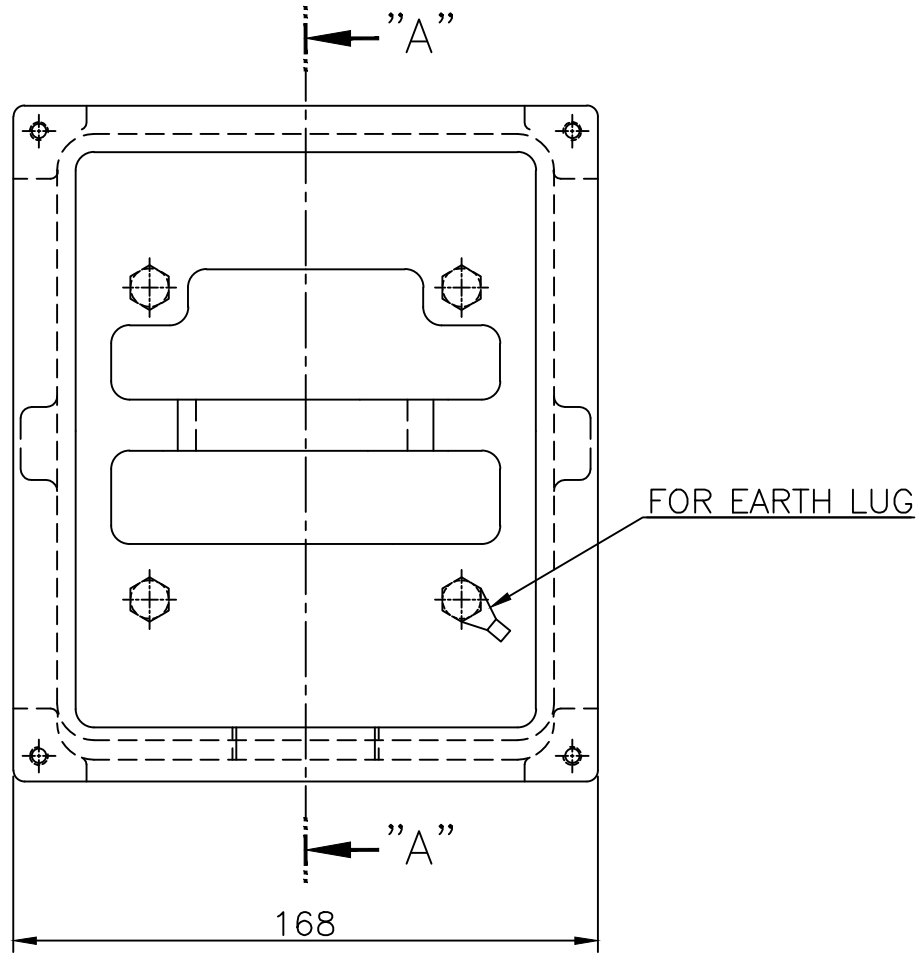
NOTE

1.TOLERANCE :

CENTER HEIGHT	180	⁰ / _{-0.5}
BASE HOLES	ø15	^{+0.43} / ₀
SHAFT DIAMETER	ø55	^{+0.030} / _{+0.011}
KEYWAY WIDTH	16	⁰ / _{-0.043}
KEYWAY DEPTH	6	^{+0.2} / ₀
KEY WIDTH	16	⁰ / _{-0.043}
KEY HEIGHT	10	⁰ / _{-0.090}



APPD BY	S.K.HAN	UNIT	mm	SUBJECT	KS, IEC Fr.180L	DWG SIZE	A4 (1:9)
CHKD BY	S.Y.KIM	SCALE	1/9	TITLE	OUTLINE		
CHKD BY	R.G.KIM	PROJEC'N	3각법(3rd Angle)	REF. NO		Sheet No.	of
DSND BY	S.H.YUN	DATE	2011-10-22	DWG NO	LM-T1185B3PL001	Revision No.	3



▽	50S
▽▽	12.5S
▽▽▽	3.2S
▽▽▽▽	0.4S

REV	DATE	CONTENTS	REVD BY	CHKD BY	CHKD BY	APPD BY	일반가공공차		일반제관공차	
							1-4	±0.1	6-30	±0.5
							4-18	±0.2	30-120	±0.8
							18-63	±0.3	120-315	±1.2
							63-250	±0.5	315-1000	±2.0
							250-	±0.8	1000-	±3.0

Q'TY	DESCRIPTION	MATERIAL	DIMENSION	WEIGHT	PART NO.	REMARK	NO.
APPD BY	S.K.HAN	UNIT	mm	SUBJECT	FR.160~180 (CAST IRON)		DWG SIZE
CHKD BY	S.Y.KIM	SCALE	1/2	TITLE			A3 (1:2)
CHKD BY	R.G.KIM	PROJEC'N	3각법(3rd Angle)	Main Terminal Box Assembly			
DSND BY	H.K.LEE	DATE	2011-08-30	REF. NO	227B8008LA2	Sheet No.	of
				DWG NO	3M-145860	Revision No.	2