

Customer :  
Project Name :  
Project No. :  
Revision No. :

---

# SPECIFICATION for INDUCTION MOTOR



## Contents

- |                                      |           |
|--------------------------------------|-----------|
| 1 . Data Sheet of AC Induction Motor | - 1Sheets |
| 2 . Speed-Torque & Current Curve     | - 1Sheets |
| 3 . Outline Dimension Drawing        | - 1Sheets |
| 4 . Main Terminal Box Drawing        | - 1Sheets |

# AC INDUCTION MOTOR DATA SHEET

Model No.or RFQ No.	3806KSTD40SSDS1STFE3V11DL0SD	Item No.		Rev. No.	[      ]	
Project Name		Project No.		Quantity		
<b>GENERAL SPECIFICATION</b>			<b>PERFORMANCE DATA</b>			
Frame Size	180M	Rated Output	22 kW	30 HP		
Type	HLP-22/4	Number of Poles	4			
Enclosure(Protection)	Totally Enclosed ( IP55 )	Rotor Type	Squirrel Cage			
Method of Cooling	IC411(FC)	Starting Method*	<input checked="" type="checkbox"/> D.O.L	<input type="checkbox"/> Y-Δ		
Rated Frequency	60 Hz	Rated Voltage	380 V			
Number of Phases	3	Current	Full Load	43.7 A		
Insulation Class	<input checked="" type="checkbox"/> F <input type="checkbox"/> B <input type="checkbox"/> H		Locked-rotor**	865 %		
Temp. Rise at full load (by resistance method)		Efficiency				
at 1.0 S.F	80 deg. C	50% Load		92.4 %		
Motor Location	<input checked="" type="checkbox"/> Indoor <input type="checkbox"/> Outdoor	75% Load		93.4 %		
Altitude	Less than 1000	100% Load		93.6 %		
Relative Humidity	Less than 80 %	Power Factor(p.u)				
Ambient Temp.	40 deg. C (Max.)	50% Load		0.641		
Duty Type	Continuous(S1)	75% Load		0.759		
Service Factor	1.15	100% Load		0.818		
Mounting	<input type="checkbox"/> B3 <input type="checkbox"/> B5 <input checked="" type="checkbox"/> V1 <input type="checkbox"/> B3/B5	Speed at Full Load		1775 r.p.m		
Bearing	Type	Anti-Friction				
	DE/N-DE	6312ZZC3 / 6310ZZC3				
	Lubricant	Grease(Polyrex-EM)				
External Thrust		Not applicable				
Coupling Method		<input checked="" type="checkbox"/> Direct <input type="checkbox"/> V-Belt				
Shaft Extension		<input checked="" type="checkbox"/> Single <input type="checkbox"/> Double				
Terminal Box	Main	<input type="checkbox"/> Steel <input checked="" type="checkbox"/> Cast Iron				
	Aux.	<input type="checkbox"/> Yes <input checked="" type="checkbox"/> No				
	Location	Refer to Outline Drawing				
Application		Vibration				
Area classification		Not applicable				
Type of Ex-Protection		Non-Hazardous				
Applicable Standard		KS, IEC, NEMA MG1 Part30(Vpeak)				
<b>ACCESSORIES</b>			<b>SUBMITTAL DRAWING</b>			
		Outline Dimension Drawing		Motor Weight(Approx.)		
		V1	LM-T1183B5PL001	189 kg		
		Main T-Box Ass'y		3M-145860		
<b>REMARK</b>						
			*.Premium Efficiency(IE3)			
			*.For use on PWM VFD 10:1VT,3:1CT@1.0S.F&F Temp.rise			
<b>SPARE PARTS</b>						
		Date	DSND	CHKD	CHKD	APPD
		2018-04-25	R.G. KIM	-	O.J. KIM	S.K. HAN

Note: Others not mentioned in this data sheet shall be in accordance with maker standard.  
 Above technical data are only design values and shall be guaranteed with tolerance of applicable standard.  
 Inspection and performance test shall be maker standard, if not mentioned.  
 \* In case of Inverter-Fed Motor, performance data is based on sine wave tests.  
 \*\* The data are based on rated voltage & frequency, and data are expressed as a percentage of full load value.

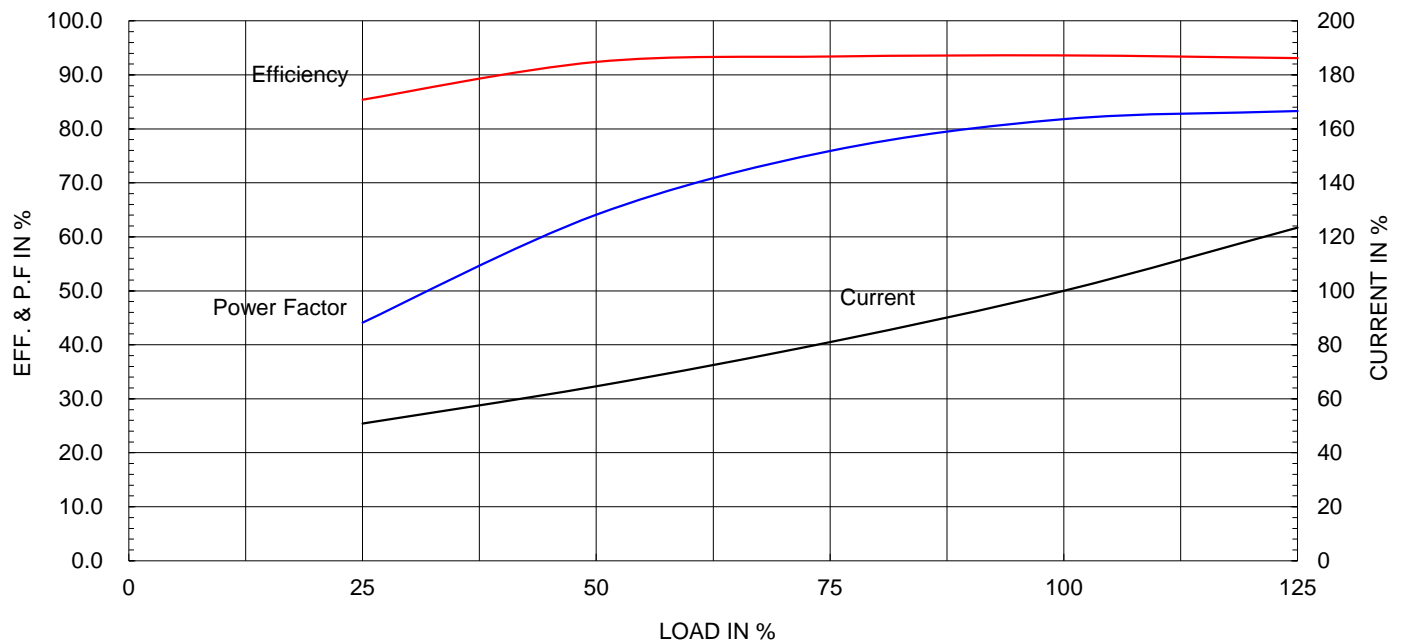
Type :	HLP-22/4	
Full Load Torque :	12.1	kg.m
Motor moment of Inertia (J) :	0.235	kg.m <sup>2</sup>
Load moment of Inertia (J) :	16.750	kg.m <sup>2</sup>

22 kW	4 P	60 Hz
Speed at Full Load :		1775 RPM
Rated Voltage	380V	
Full Load Current	43.7A	

SPEED VS TORQUE &amp; CURRENT CURVE



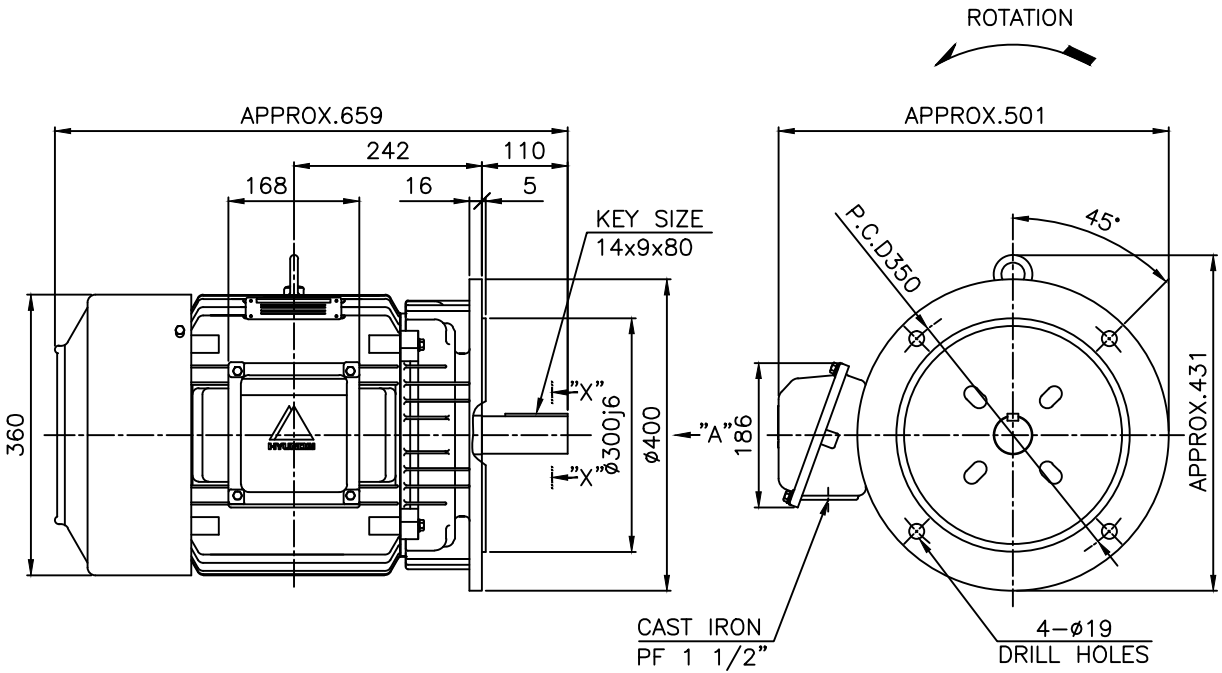
OUTPUT VS EFF., P.F &amp; CURRENT CURVE



본 도면은 현대일렉트릭(주) 재산이므로  
허가없이 복사할 수 없음 (취급주의)

THIS DRAWING IS PROPRIETARY TO HYUNDAI ELECTRIC. NO PART OF THIS DRAWING  
MAY BE REPRODUCED WITHOUT THE PERMISSION OF HYUNDAI ELECTRIC.

	1	2	3	4				
▽	50S	REV	DATE	CONTENTS	REVD BY	CHKD BY	CHKD BY	APPD BY
▽▽	12.5S							
▽▽▽	3.2S							
▽▽▽▽	0.4S							

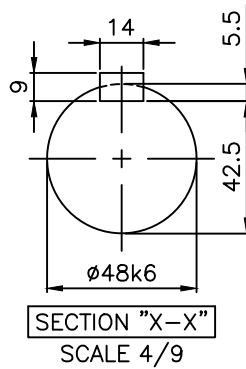


VIEW "A"

NOTE

1.TOLERANCE :

FLANGE HOLES	ø19	+0.52	0
RABBET DIAMETER	ø300	±0.016	
SHAFT DIAMETER	ø48	+0.018	+0.002
KEYWAY WIDTH	14	0	-0.043
KEYWAY DEPTH	5.5	+0.2	0
KEY WIDTH	14	0	-0.043
KEY HEIGHT	9	0	-0.090



APPD BY	S.K.HAN	UNIT	mm	SUBJECT	KS, IEC Fr.180M	DWG SIZE	A4 ( 1:1 )
CHKD BY	S.Y.KIM	SCALE	1/9	TITLE	OUTLINE		
CHKD BY	R.G.KIM	PROJEC'N	3각법 (3rd Angle)	REF. NO		Sheet No.	of
DSND BY	S.H.YUN	DATE	2018-08-08	DWG NO	LM-T1183B5PL001	Revision No.	2



▽	50S
▽▽	12.5S
▽▽▽	3.2S
▽▽▽▽	0.4S

REV	DATE	CONTENTS	REVD BY	CHKD BY	CHKD BY	APPD BY	일반가공공차		일반제관공차	
							1-4	±0.1	6-30	±0.5
							4-18	±0.2	30-120	±0.8
							18-63	±0.3	120-315	±1.2
							63-250	±0.5	315-1000	±2.0
							250-	±0.8	1000-	±3.0

Q'TY	DESCRIPTION	MATERIAL	DIMENSION	WEIGHT	PART NO.	REMARK	NO.
APPD BY	S.K.HAN	UNIT	mm	SUBJECT	FR.160~180 (CAST IRON)		DWG SIZE
CHKD BY	S.Y.KIM	SCALE	1/2	TITLE			A3 (1:2)
CHKD BY	R.G.KIM	PROJEC'N	3각법(3rd Angle)	Main Terminal Box Assembly			
DSND BY	H.K.LEE	DATE	2011-08-30	REF. NO.	227B8008LA2	Sheet No.	of
				DWG NO.	3M-145860	Revision No.	2