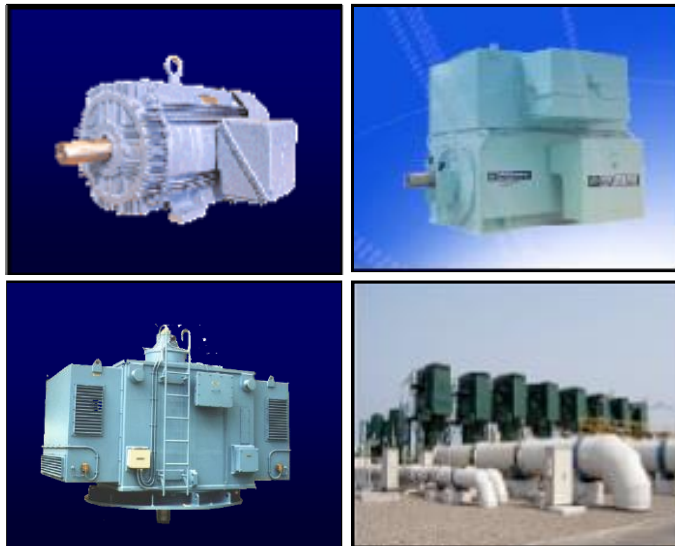


Customer :  
Project Name :  
Project No. :  
Revision No. :

---

# SPECIFICATION for INDUCTION MOTOR



## Contents

- |                                      |           |
|--------------------------------------|-----------|
| 1 . Data Sheet of AC Induction Motor | - 1Sheets |
| 2 . Speed-Torque & Current Curve     | - 1Sheets |
| 3 . Outline Dimension Drawing        | - 1Sheets |
| 4 . Main Terminal Box Drawing        | - 1Sheets |

# AC INDUCTION MOTOR DATA SHEET

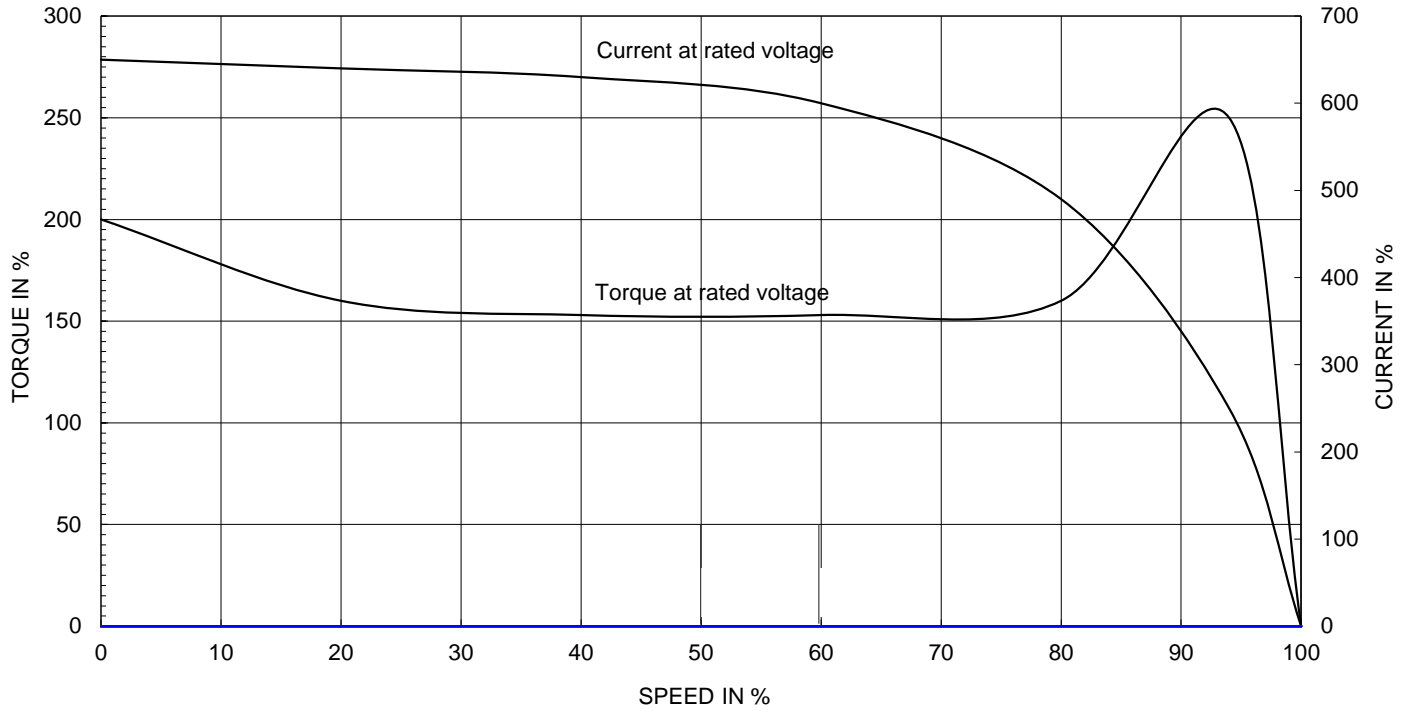
Model No.or RFQ No.	4606KSTD40SSDS1STFE3V11DL0SDS	Item No.		Rev. No.	[      ]					
Project Name		Project No.		Quantity						
GENERAL SPECIFICATION			PERFORMANCE DATA							
Frame Size	112M	Rated Output	2.2 kW	3 HP						
Type	HKP-2.2/6	Number of Poles	6							
Enclosure(Protection)	Totally Enclosed ( IP55 )	Rotor Type	Squirrel Cage							
Method of Cooling	IC411(FC)	Starting Method*	<input checked="" type="checkbox"/> D.O.L	<input type="checkbox"/> Y-Δ						
Rated Frequency	60 Hz	Rated Voltage	460 V							
Number of Phases	3	Current	Full Load	4.5 A						
Insulation Class	<input checked="" type="checkbox"/> F <input type="checkbox"/> B <input type="checkbox"/> H		Locked-rotor**	730 %						
Temp. Rise at full load (by resistance method)		Efficiency								
at 1.0 S.F	80 deg. C									
Motor Location	<input checked="" type="checkbox"/> Indoor <input type="checkbox"/> Outdoor									
Altitude	Less than 1000	100% Load		89.5 %						
Relative Humidity	Less than 80 %	Power Factor(p.u)								
Ambient Temp.	40 deg. C (Max.)									
Duty Type	Continuous(S1)									
Service Factor	1.15	100% Load		0.680						
Mounting	<input type="checkbox"/> B3 <input type="checkbox"/> B5 <input checked="" type="checkbox"/> V1 <input type="checkbox"/> B3/B5	Speed at Full Load	1175 r.p.m							
Bearing	Type	Anti-Friction								
	DE/N-DE	6206ZZC3 / 6206ZZC3								
	Lubricant	Grease(Polyrex-EM)								
External Thrust	Not applicable									
Coupling Method	<input checked="" type="checkbox"/> Direct <input type="checkbox"/> V-Belt	Moment of Inertia (J)								
Shaft Extension	<input checked="" type="checkbox"/> Single <input type="checkbox"/> Double									
Terminal Box	Main					<input type="checkbox"/> Steel <input checked="" type="checkbox"/> Cast Iron	Load(Max.)		4.750 kg·m <sup>2</sup>	
	Aux.	<input type="checkbox"/> Yes <input checked="" type="checkbox"/> No	Motor		0.030 kg·m <sup>2</sup>					
	Location	Refer to Outline Drawing								
Application		Sound Pressure Level (No-load & mean value at 1m from motor)								
Area classification	Not applicable	60 dB(A)								
Type of Ex-Protection	Non-Hazardous	Vibration								
Applicable Standard	KS, IEC, NEMA MG1 Part30(Vpeak)	1.6 mm/sec (r.m.s)								
ACCESSORIES										
						SUBMITTAL DRAWING				
						Outline Dimension Drawing		Motor Weight(Approx.)		
						V1		LM-T0113V1PL001	53 kg	
						Main T-Box Ass'y		3M-148549		
REMARK										
*.Premium Efficiency(IE3)										
*.For use on PWM VFD 10:1VT,3:1CT@1.0S.F&F Temp.rise										
SPARE PARTS										
					Date	DSND	CHKD	CHKD	APPD	
2018-04-25	R.G. KIM	-	O.J. KIM	S.K. HAN						

Note: Others not mentioned in this data sheet shall be in accordance with maker standard.  
 Above technical data are only design values and shall be guaranteed with tolerance of applicable standard.  
 Inspection and performance test shall be maker standard, if not mentioned.  
 \* In case of Inverter-Fed Motor, performance data is based on sine wave tests.  
 \*\* The data are based on rated voltage & frequency, and data are expressed as a percentage of full load value.

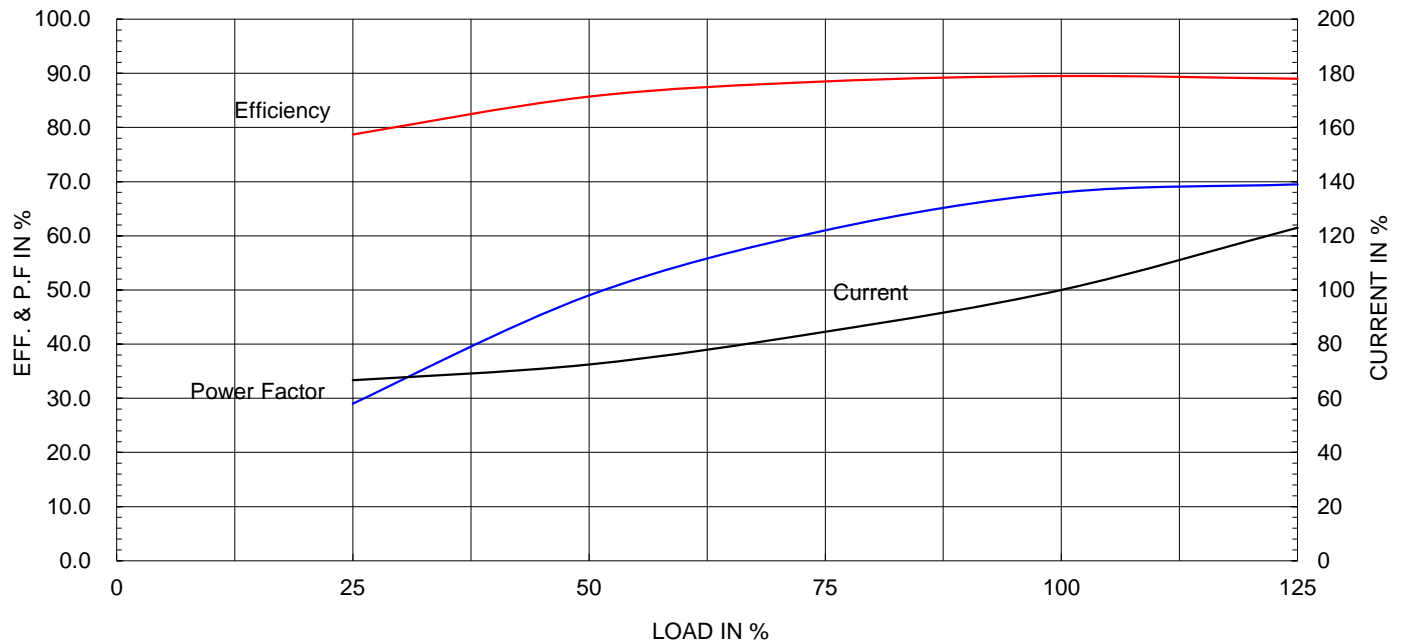
Type :	HKP-2.2/6	
Full Load Torque :	1.8	kg.m
Motor moment of Inertia (J) :	0.030	kg.m <sup>2</sup>
Load moment of Inertia (J) :	4.750	kg.m <sup>2</sup>

2.2 kW	6 P	60 Hz
Speed at Full Load :		1175 RPM
Rated Voltage	460V	
Full Load Current	4.5A	

SPEED VS TORQUE &amp; CURRENT CURVE



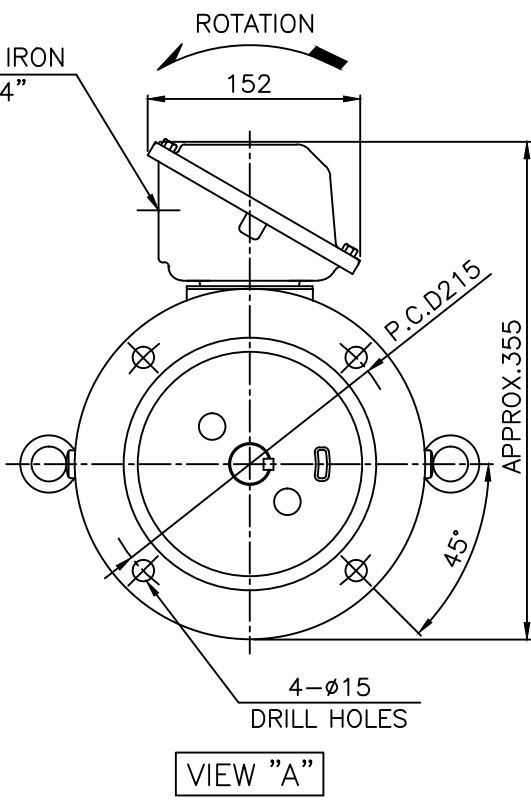
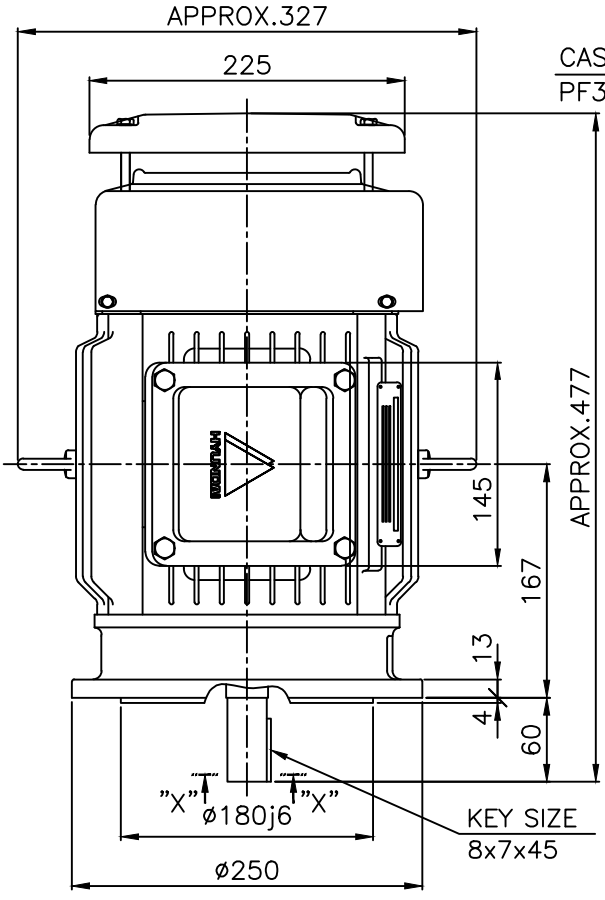
OUTPUT VS EFF., P.F &amp; CURRENT CURVE



본 도면은 현대일렉트릭(주) 재산이므로  
허가없이 복사할 수 없음 (취급주의)

THIS DRAWING IS PROPRIETARY TO HYUNDAI ELECTRIC. NO PART OF THIS DRAWING  
MAY BE REPRODUCED WITHOUT THE PERMISSION OF HYUNDAI ELECTRIC.

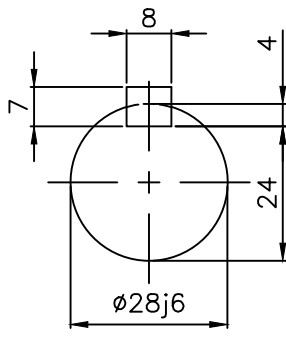
1	2	3	4
▽	50S	REV	DATE
▽▽	12.5S		
▽▽▽	3.2S		
▽▽▽▽	0.4S		
		CONTENTS	REVD BY
			CHKD BY
			CHKD BY
			APPD BY



NOTE

1.TOLERANCE :

FLANGE HOLES	$\phi 15$	$+0.43$ $0$
RABBET DIAMETER	$\phi 180$	$+0.014$ $-0.011$
SHAFT DIAMETER	$\phi 28$	$+0.009$ $-0.004$
KEYWAY WIDTH	8	$0$ $-0.036$
KEYWAY DEPTH	4	$+0.2$ $0$
KEY WIDTH	8	$0$ $-0.036$
KEY HEIGHT	7	$0$ $-0.090$



SECTION "X-X"  
SCALE 4/5

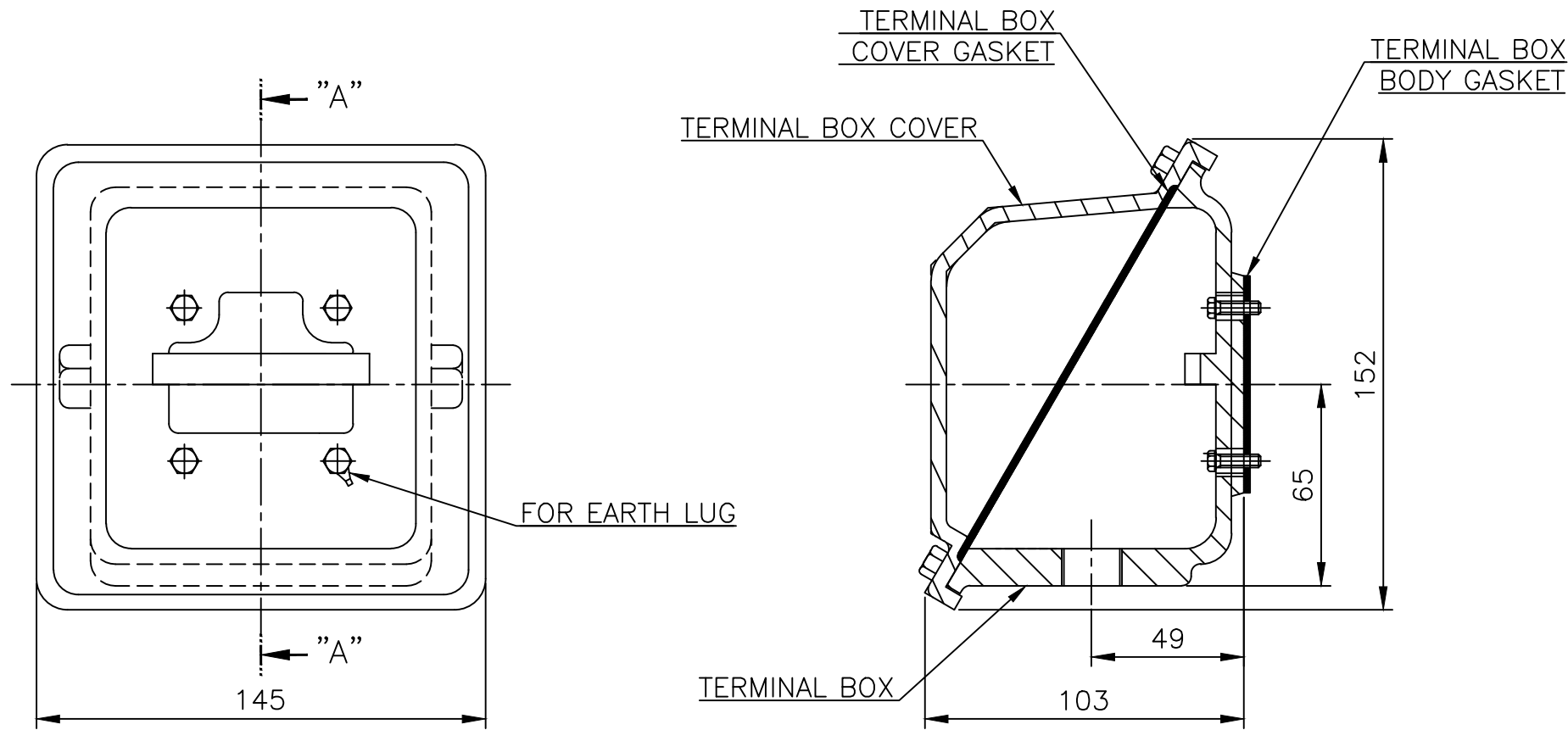
APPD BY	S.K.HAN	UNIT	mm	SUBJECT	KS, IEC Fr.112M(IE3, HK TYPE)	DWG SIZE	A4 ( 15 )
CHKD BY	S.Y.KIM	SCALE	1/5	TITLE	OUTLINE		
CHKD BY	R.G.KIM	PROJEC'N	3각법 (3rd Angle)	REF. NO		Sheet No.	of
DSND BY	S.H.YUN	DATE	2018-09-18	DWG NO	LM-T0113V1PL001	Revision No.	0



HYUNDAI ELECTRIC

본 도면은 현대일렉트릭(주) 재산이므로 허가없이 복사할 수 없습니다 (취급주의)

THIS DRAWING IS PROPRIETARY TO HYUNDAI ELECTRIC. NO PART OF THIS DRAWING MAY BE REPRODUCED WITHOUT THE PERMISSION OF HYUNDAI ELECTRIC.



SEC. "A" - "A"

▽	50S
▽▽	12.5S
▽▽▽	3.2S
▽▽▽▽	0.4S

REV	DATE	CONTENTS	REVD BY	CHKD BY	CHKD BY	APPD BY

Q'TY	DESCRIPTION	MATERIAL	DIMENSION	WEIGHT	PART NO.	REMARK	NO.
APPD BY	S.K.HAN	UNIT	mm	SUBJECT	FR.100~132 (CAST IRON)	DWG SIZE	A3 (1:2)
CHKD BY	S.Y.KIM	SCALE	1/2	TITLE	Terminal Box Arrangement		
CHKD BY	R.G.KIM	PROJEC'N	3각법 (3rd Angle)	REF. NO	227B8004CB	Sheet No.	of
DSND BY	H.K.LEE	DATE	2011-10-26	DWG NO	3M-148549	Revision No.	2

