

Customer :
Project Name :
Project No. :
Revision No. :

SPECIFICATION for INDUCTION MOTOR



Contents

- | | |
|--------------------------------------|-----------|
| 1 . Data Sheet of AC Induction Motor | - 1Sheets |
| 2 . Speed-Torque & Current Curve | - 1Sheets |
| 3 . Outline Dimension Drawing | - 1Sheets |
| 4 . Main Terminal Box Drawing | - 1Sheets |

AC INDUCTION MOTOR DATA SHEET

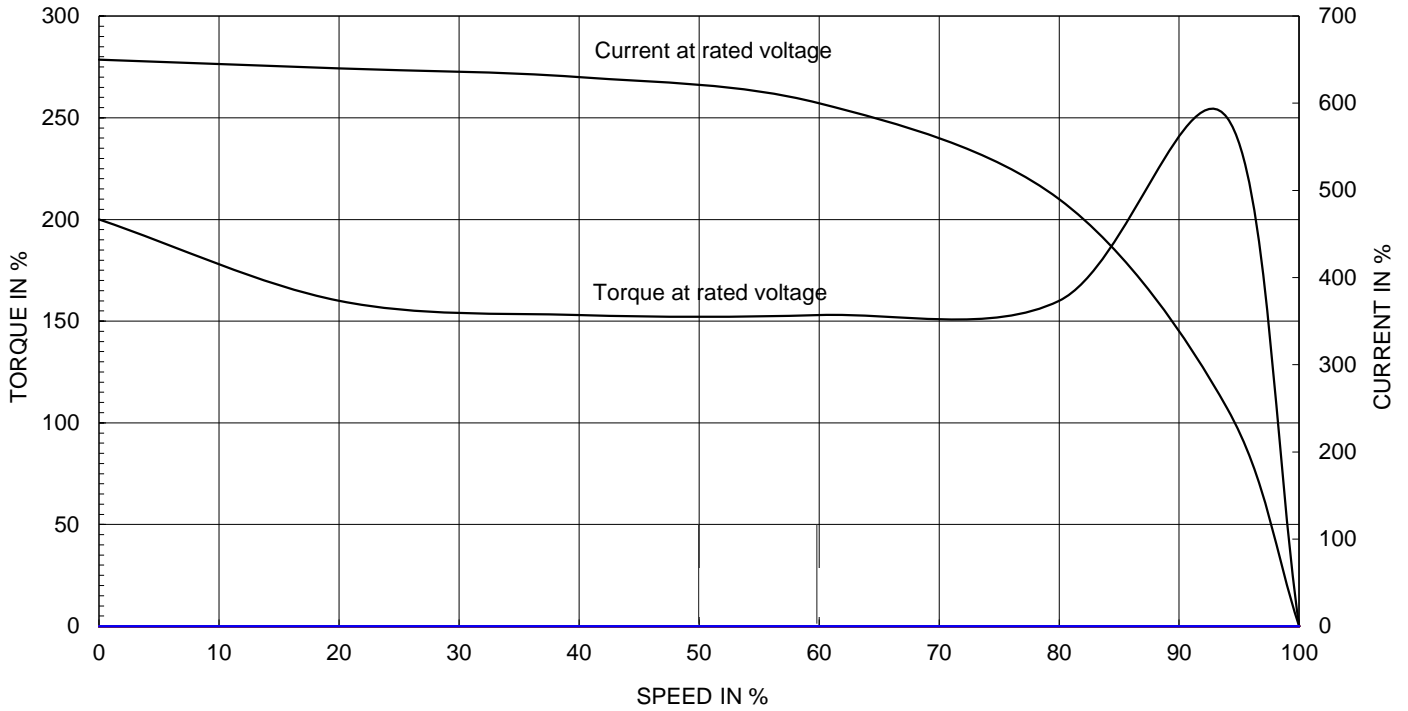
Model No.or RFQ No.	2206KSTD40SSDS1STFE3B31DL0SDS	Item No.		Rev. No.	[]		
Project Name		Project No.		Quantity			
GENERAL SPECIFICATION			PERFORMANCE DATA				
Frame Size	112M	Rated Output	2.2 kW	3 HP			
Type	HKP-2.2/6	Number of Poles	6				
Enclosure(Protection)	Totally Enclosed (IP55)	Rotor Type	Squirrel Cage				
Method of Cooling	IC411(FC)	Starting Method*	<input checked="" type="checkbox"/> D.O.L	<input type="checkbox"/> Y-Δ			
Rated Frequency	60 Hz	Rated Voltage	220 V				
Number of Phases	3	Current	Full Load	9.5 A			
Insulation Class	<input checked="" type="checkbox"/> F <input type="checkbox"/> B <input type="checkbox"/> H		Locked-rotor**	730 %			
Temp. Rise at full load (by resistance method)		Efficiency					
at 1.0 S.F	80 deg. C						
Motor Location	<input checked="" type="checkbox"/> Indoor <input type="checkbox"/> Outdoor						
Altitude	Less than 1000	50% Load		85.7 %			
Relative Humidity	Less than 80 %	75% Load		88.5 %			
Ambient Temp.	40 deg. C (Max.)	100% Load		89.5 %			
Duty Type	Continuous(S1)	Power Factor(p.u)					
Service Factor	1.15						
Mounting	<input checked="" type="checkbox"/> B3 <input type="checkbox"/> B5 <input type="checkbox"/> V1 <input type="checkbox"/> B3/B5						
Bearing	Type	Anti-Friction					
	DE/N-DE	6206ZZC3 / 6206ZZC3					
	Lubricant	Grease(Polyrex-EM)					
External Thrust	Not applicable						
Coupling Method	<input checked="" type="checkbox"/> Direct <input type="checkbox"/> V-Belt	Moment of Inertia (J)					
Shaft Extension	<input checked="" type="checkbox"/> Single <input type="checkbox"/> Double						
Terminal Box	Main					<input type="checkbox"/> Steel <input checked="" type="checkbox"/> Cast Iron	50% Load
	Aux.	<input type="checkbox"/> Yes <input checked="" type="checkbox"/> No	75% Load		0.610		
	Location	Refer to Outline Drawing					
Application		100% Load		0.680			
Area classification	Not applicable	Speed at Full Load					
Type of Ex-Protection	Non-Hazardous	1175 r.p.m					
Applicable Standard	KS, IEC, NEMA MG1 Part30(Vpeak)	Torque					
ACCESSORIES		Full Load		1.8 kg·m			
		Locked-rotor**		180 %			
		Breakdown**		250 %			
SPARE PARTS		Sound Pressure Level (No-load & mean value at 1m from motor)					
						Load(Max.)	
		Motor		0.030 kg·m ²			
		Vibration		1.6 mm/sec (r.m.s)			
		Permissible number of consecutive starts		Cold 3 times			
				Hot 2 times			
		Paint		Munsell No.	4.4PB5.5/5.6(VL-451)		
		SUBMITTAL DRAWING		Outline Dimension Drawing \ Motor Weight(Approx.)			
				B3	LM-T0113B3PL001	48 kg	
				Main T-Box Ass'y		3M-148549	
REMARK		*.Premium Efficiency(IE3)					
		*.For use on PWM VFD 10:1VT,3:1CT@1.0S.F&F Temp.rise					
		Date	DSND	CHKD	CHKD	APPD	
		2018-04-25	R.G. KIM	-	O.J. KIM	S.K. HAN	

Note: Others not mentioned in this data sheet shall be in accordance with maker standard.
 Above technical data are only design values and shall be guaranteed with tolerance of applicable standard.
 Inspection and performance test shall be maker standard, if not mentioned.
 * In case of Inverter-Fed Motor, performance data is based on sine wave tests.
 ** The data are based on rated voltage & frequency, and data are expressed as a percentage of full load value.

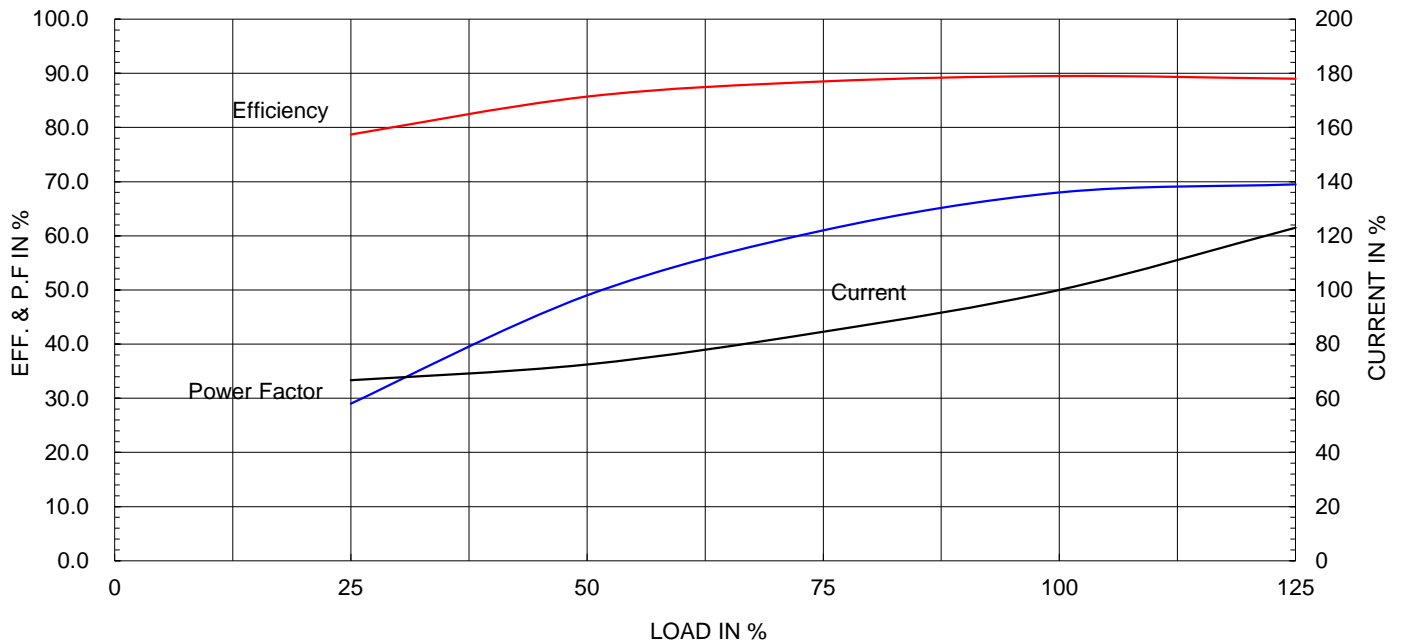
Type :	HKP-2.2/6	
Full Load Torque :	1.8	kg.m
Motor moment of Inertia (J) :	0.030	kg.m ²
Load moment of Inertia (J) :	4.750	kg.m ²

2.2 kW	6 P	60 Hz
Speed at Full Load :		1175 RPM
Rated Voltage	220V	
Full Load Current	9.5A	

SPEED VS TORQUE & CURRENT CURVE



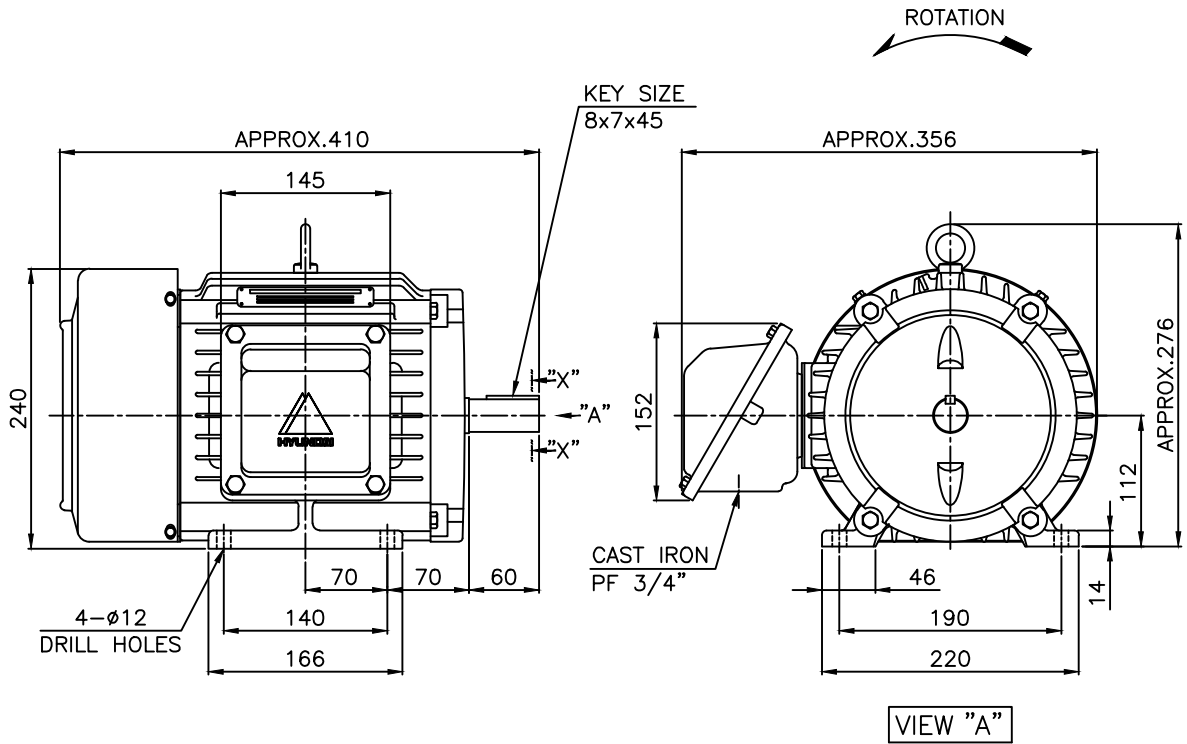
OUTPUT VS EFF., P.F & CURRENT CURVE



본 도면은 현대일렉트릭(주) 재산이므로
허가없이 복사할 수 없음 (취급주의)

THIS DRAWING IS PROPRIETARY TO HYUNDAI ELECTRIC. NO PART OF THIS DRAWING
MAY BE REPRODUCED WITHOUT THE PERMISSION OF HYUNDAI ELECTRIC.

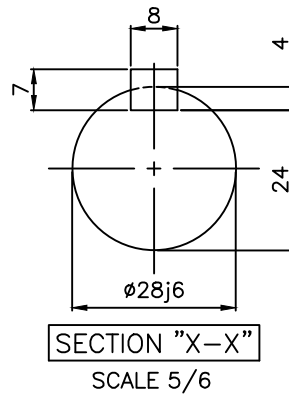
	1	2	3	4				
▽	50S	REV	DATE	CONTENTS	REVD BY	CHKD BY	CHKD BY	APPD BY
▽▽	12.5S							
▽▽▽	3.2S							
▽▽▽▽	0.4S							



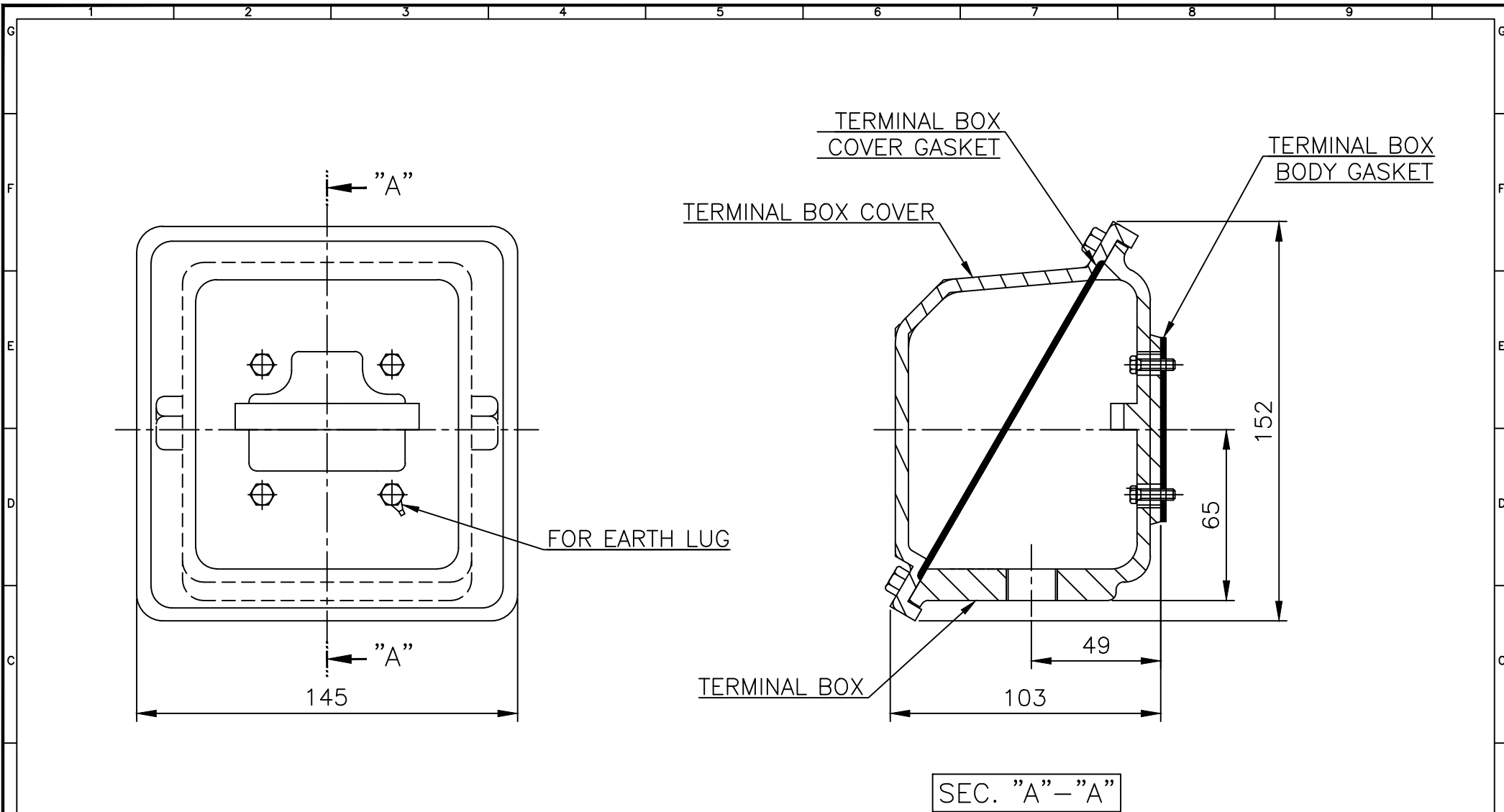
NOTE

1.TOLERANCE :

CENTER HEIGHT	112	$\begin{matrix} 0 \\ -0.5 \end{matrix}$
BASE HOLES	$\phi 12$	$\begin{matrix} +0.43 \\ 0 \end{matrix}$
SHAFT DIAMETER	$\phi 28$	$\begin{matrix} +0.009 \\ -0.004 \end{matrix}$
KEYWAY WIDTH	8	$\begin{matrix} 0 \\ -0.036 \end{matrix}$
KEYWAY DEPTH	4	$\begin{matrix} +0.2 \\ 0 \end{matrix}$
KEY WIDTH	8	$\begin{matrix} 0 \\ -0.036 \end{matrix}$
KEY HEIGHT	7	$\begin{matrix} 0 \\ -0.090 \end{matrix}$



APPD BY	S.K.HAN	UNIT	mm	SUBJECT	KS, IEC Fr.112M(IE3, HK TYPE)	DWG SIZE	A4 (16)
CHKD BY	S.Y.KIM	SCALE	1/6	TITLE	OUTLINE		
CHKD BY	R.G.KIM	PROJEC'N	3각법 (3rd Angle)	REF. NO		Sheet No.	of
DSND BY	S.H.YUN	DATE	2018-09-18	DWG NO	LM-T0113B3PL001	Revision No.	0



▽	50S
▽▽	12.5S
▽▽▽	3.2S
▽▽▽▽	0.4S

REV	DATE	CONTENTS	REVD BY	CHKD BY	CHKD BY	APPD BY

Q'TY	DESCRIPTION	MATERIAL	DIMENSION	WEIGHT	PART NO.	REMARK	NO.
APPD BY	S.K.HAN	UNIT	mm	SUBJECT	FR.100~132 (CAST IRON)	DWG SIZE	A3 (1:2)
CHKD BY	S.Y.KIM	SCALE	1/2	TITLE	Terminal Box Arrangement		
CHKD BY	R.G.KIM	PROJEC'N	3각법 (3rd Angle)	DATE	2011-10-26	REF. NO	227B8004CB
DSND BY	H.K.LEE	DATE	2011-10-26	DWG NO	3M-148549	Sheet No.	of
				Revision No.	2		

일반가공공차		일반기계공차	
1-4	±0.1	6-30	±0.5
4-18	±0.2	30-120	±0.8
18-63	±0.3	120-315	±1.2
63-250	±0.5	315-1000	±2.0
250-	±0.8	1000-	±3.0