

Customer :
Project Name :
Project No. :
Revision No. :

SPECIFICATION for INDUCTION MOTOR



Contents

- 1 . Data Sheet of AC Induction Motor - 1Sheets
- 2 . Speed-Torque & Current Curve - 1Sheets
- 3 . Outline Dimension Drawing - 1Sheets
- 4 . Main Terminal Box Drawing - 1Sheets

AC INDUCTION MOTOR DATA SHEET

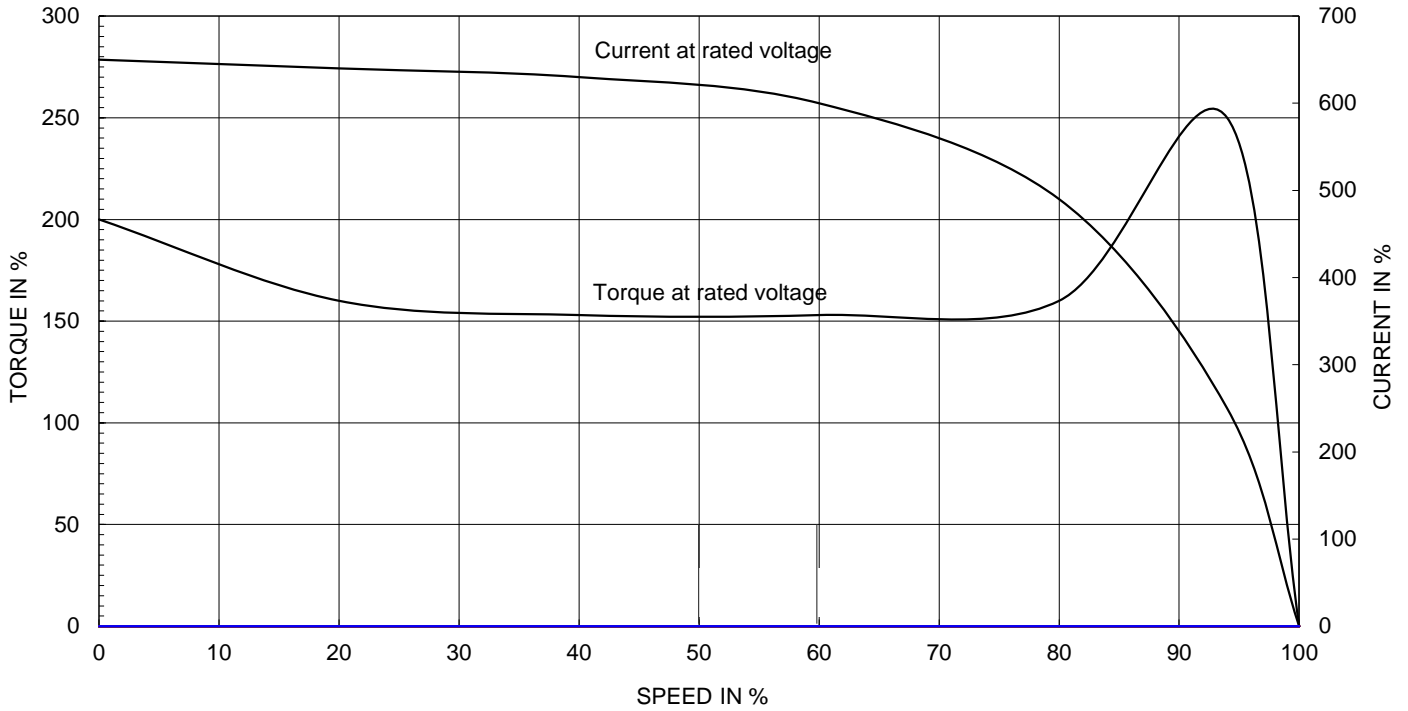
Model No.or RFQ No.	4406KSTD40SSDS1STFE3351DL0SDS	Item No.		Rev. No.	[]		
Project Name		Project No.		Quantity			
GENERAL SPECIFICATION			PERFORMANCE DATA				
Frame Size	100L	Rated Output	2.2 kW	3 HP			
Type	HLP-2.2/4	Number of Poles	4				
Enclosure(Protection)	Totally Enclosed (IP55)	Rotor Type	Squirrel Cage				
Method of Cooling	IC411(FC)	Starting Method*	<input checked="" type="checkbox"/> D.O.L	<input type="checkbox"/> Y-Δ			
Rated Frequency	60 Hz	Rated Voltage	440 V				
Number of Phases	3	Current	Full Load	4.2 A			
Insulation Class	<input checked="" type="checkbox"/> F <input type="checkbox"/> B <input type="checkbox"/> H		Locked-rotor**	835 %			
Temp. Rise at full load (by resistance method) at 1.0 S.F		80 deg. C		Efficiency			
Motor Location	<input checked="" type="checkbox"/> Indoor <input type="checkbox"/> Outdoor	50% Load		88.0 %			
Altitude	Less than 1000	75% Load		89.4 %			
Relative Humidity	Less than 80 %	100% Load		89.5 %			
Ambient Temp.	40 deg. C (Max.)	Power Factor(p.u)					
Duty Type	Continuous(S1)	50% Load		0.508			
Service Factor	1.15	75% Load		0.688			
Mounting	<input type="checkbox"/> B3 <input type="checkbox"/> B5 <input type="checkbox"/> V1 <input checked="" type="checkbox"/> B3/B5	100% Load		0.764			
Bearing	Type	Anti-Friction		Speed at Full Load			
	DE/N-DE	6206ZZC3 / 6206ZZC3		1760 r.p.m			
	Lubricant	Grease(Polyrex-EM)		Torque			
External Thrust	Not applicable		Full Load		1.2 kg·m		
Coupling Method	<input checked="" type="checkbox"/> Direct <input type="checkbox"/> V-Belt	Locked-rotor**		220 %			
Shaft Extension	<input checked="" type="checkbox"/> Single <input type="checkbox"/> Double	Breakdown**		280 %			
Terminal Box	Main	<input type="checkbox"/> Steel <input checked="" type="checkbox"/> Cast Iron	Moment of Inertia (J)				
	Aux.	<input type="checkbox"/> Yes <input checked="" type="checkbox"/> No	Load(Max.)		2.500 kg·m ²		
	Location	Refer to Outline Drawing	Motor		0.008 kg·m ²		
Application		Sound Pressure Level (No-load & mean value at 1m from motor)					
Area classification	Not applicable	64 dB(A)					
Type of Ex-Protection	Non-Hazardous	Vibration					
Applicable Standard	KS, IEC, NEMA MG1 Part30(Vpeak)	1.6 mm/sec (r.m.s)					
ACCESSORIES			SUBMITTAL DRAWING				
			Outline Dimension Drawing		Motor Weight(Approx.)		
			B3/B5		LM-T1105B4PL001	46 kg	
			Main T-Box Ass'y		3M-148549		
			REMARK				
			*.Premium Efficiency(IE3)				
			*.For use on PWM VFD 10:1VT,3:1CT@1.0S.F&F Temp.rise				
SPARE PARTS							
			Date	DSND	CHKD		
			2018-04-25	R.G. KIM	-		
				CHKD	APPD		
				O.J. KIM	S.K. HAN		

Note: Others not mentioned in this data sheet shall be in accordance with maker standard.
 Above technical data are only design values and shall be guaranteed with tolerance of applicable standard.
 Inspection and performance test shall be maker standard, if not mentioned.
 * In case of Inverter-Fed Motor, performance data is based on sine wave tests.
 ** The data are based on rated voltage & frequency, and data are expressed as a percentage of full load value.

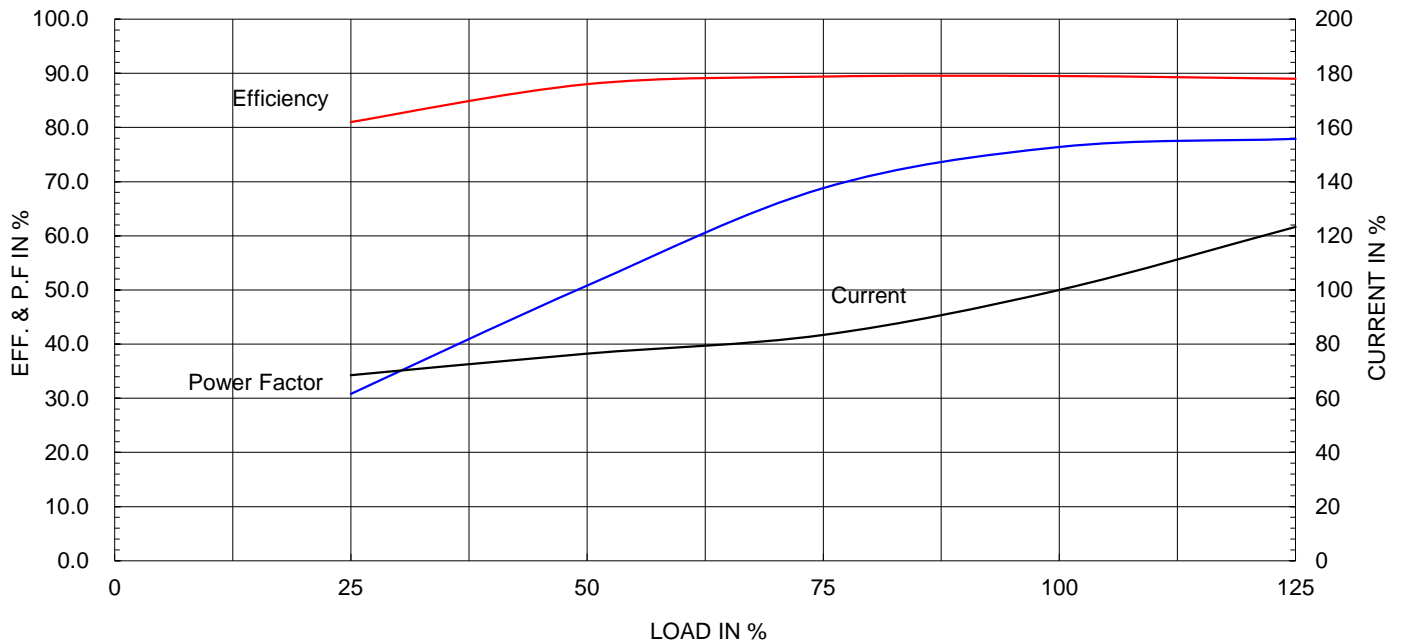
Type :	HLP-2.2/4	
Full Load Torque :	1.2	kg.m
Motor moment of Inertia (J) :	0.008	kg.m ²
Load moment of Inertia (J) :	2.500	kg.m ²

2.2 kW	4 P	60 Hz
Speed at Full Load :		1760 RPM
Rated Voltage	440V	
Full Load Current	4.2A	

SPEED VS TORQUE & CURRENT CURVE



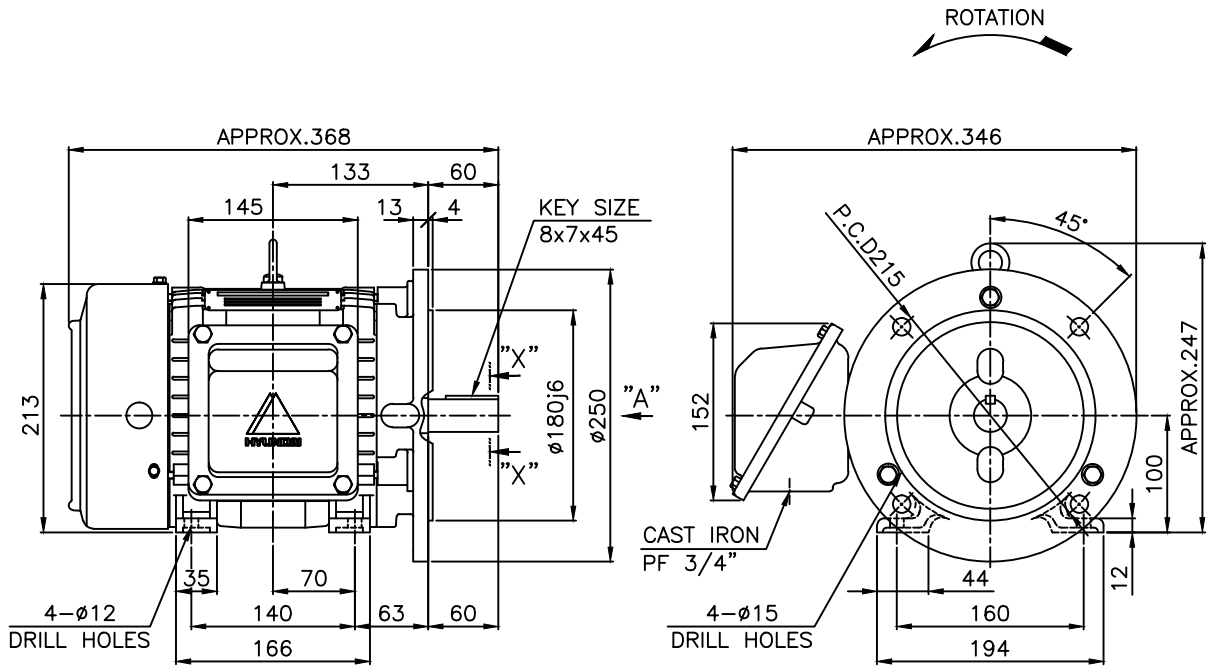
OUTPUT VS EFF., P.F & CURRENT CURVE



본 도면은 현대일렉트릭(주) 재산이므로
허가없이 복사할 수 없음 (취급주의)

THIS DRAWING IS PROPRIETARY TO HYUNDAI ELECTRIC. NO PART OF THIS DRAWING
MAY BE REPRODUCED WITHOUT THE PERMISSION OF HYUNDAI ELECTRIC.

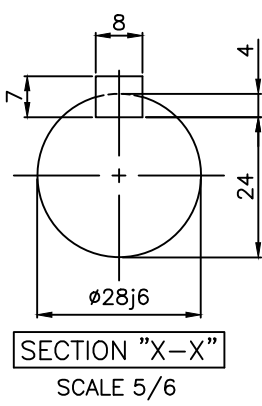
	1	2	3	4				
▽	50S	REV	DATE	CONTENTS	REVD BY	CHKD BY	CHKD BY	APPD BY
▽▽	12.5S							
▽▽▽	3.2S							
▽▽▽▽	0.4S							



NOTE

1.TOLERANCE :

CENTER HEIGHT	100	0	-0.5
BASE HOLES	∅12	+0.43	0
FLANGE HOLES	∅15	+0.43	0
RABBET DIAMETER	∅180	+0.014	-0.011
SHAFT DIAMETER	∅28	+0.009	-0.004
KEYWAY WIDTH	8	0	-0.036
KEYWAY DEPTH	4	+0.2	0
KEY WIDTH	8	0	-0.036
KEY HEIGHT	7	0	-0.090



APPD BY	S.K.HAN	UNIT	mm	SUBJECT	KS, IEC Fr.100L	DWG SIZE	A4 (1/6)
CHKD BY	S.Y.KIM	SCALE	1/6	TITLE	OUTLINE		
CHKD BY	R.G.KIM	PROJEC'N	3각법 (3rd Angle)	REF. NO		Sheet No.	of
DSND BY	S.H.YUN	DATE	2018-08-13	DWG NO	LM-T1105B4PL001	Revision No.	1





HYUNDAI
ELECTRIC

본 도면은 현대일렉트릭(주) 재산이므로
허가없이 복사할 수 없습니다 (취급주의)

THIS DRAWING IS PROPRIETARY TO HYUNDAI ELECTRIC. NO PART OF THIS DRAWING
MAY BE REPRODUCED WITHOUT THE PERMISSION OF HYUNDAI ELECTRIC.



SEC. "A" - "A"

▽	50S
▽▽	12.5S
▽▽▽	3.2S
▽▽▽▽	0.4S

REV	DATE	CONTENTS	REVD BY	CHKD BY	CHKD BY	APPD BY

Q'TY	DESCRIPTION	MATERIAL	DIMENSION	WEIGHT	PART NO.	REMARK	NO.
APPD BY	S.K.HAN	UNIT	mm	SUBJECT	FR.100~132 (CAST IRON)	DWG SIZE	A3 (1:2)
CHKD BY	S.Y.KIM	SCALE	1/2	TITLE	Terminal Box Arrangement		
CHKD BY	R.G.KIM	PROJEC'N	3각법 (3rd Angle)				
DSND BY	H.K.LEE	DATE	2011-10-26				
				REF. NO	227B8004CB	Sheet No.	of
				DWG NO	3M-148549	Revision No.	2

