

Customer :
Project Name :
Project No. :
Revision No. :

SPECIFICATION for INDUCTION MOTOR



Contents

- | | |
|--------------------------------------|-----------|
| 1 . Data Sheet of AC Induction Motor | - 1Sheets |
| 2 . Speed-Torque & Current Curve | - 1Sheets |
| 3 . Outline Dimension Drawing | - 1Sheets |
| 4 . Main Terminal Box Drawing | - 1Sheets |

AC INDUCTION MOTOR DATA SHEET

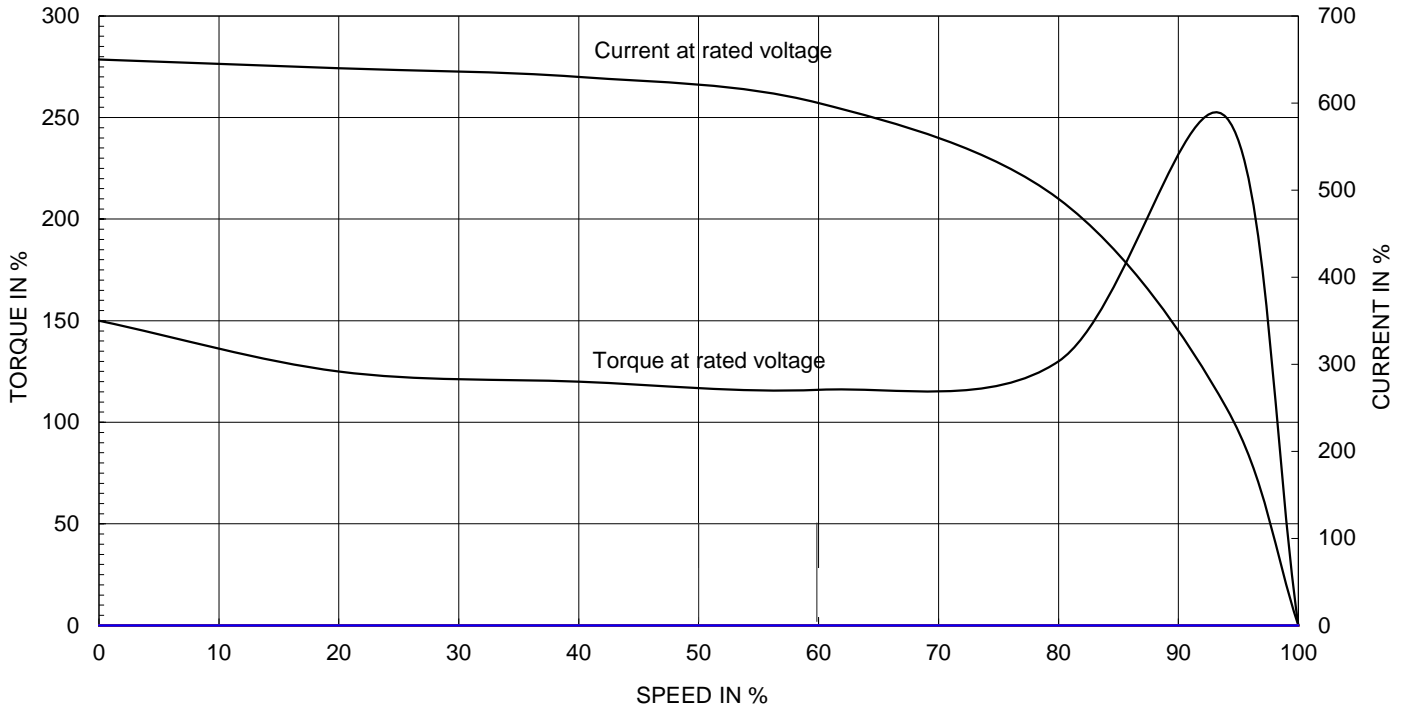
Model No.or RFQ No.	4606KSTD40SSDS1STFE3B51DL0SD3	Item No.		Rev. No.	[]		
Project Name		Project No.		Quantity			
GENERAL SPECIFICATION			PERFORMANCE DATA				
Frame Size	180M	Rated Output	18.5 kW	25 HP			
Type	HLP-18.5/4	Number of Poles	4				
Enclosure(Protection)	Totally Enclosed (IP55)	Rotor Type	Squirrel Cage				
Method of Cooling	IC411(FC)	Starting Method*	<input checked="" type="checkbox"/> D.O.L	<input type="checkbox"/> Y-Δ			
Rated Frequency	60 Hz	Rated Voltage	460 V				
Number of Phases	3	Current	Full Load	30.3 A			
Insulation Class	<input checked="" type="checkbox"/> F <input type="checkbox"/> B <input type="checkbox"/> H		Locked-rotor**	815 %			
Temp. Rise at full load (by resistance method) at 1.0 S.F	80 deg. C	Efficiency					
Motor Location	<input checked="" type="checkbox"/> Indoor <input type="checkbox"/> Outdoor	50% Load		92.6 %			
Altitude	Less than 1000	75% Load		93.5 %			
Relative Humidity	Less than 80 %	100% Load		93.6 %			
Ambient Temp.	40 deg. C (Max.)	Power Factor(p.u)					
Duty Type	Continuous(S1)	50% Load		0.730			
Service Factor	1.15	75% Load		0.795			
Mounting	<input type="checkbox"/> B3 <input checked="" type="checkbox"/> B5 <input type="checkbox"/> V1 <input type="checkbox"/> B3/B5	100% Load		0.820			
Bearing	Type	Anti-Friction					
	DE/N-DE	6310ZZC3 / 6310ZZC3					
	Lubricant	Grease(Polyrex-EM)					
External Thrust	Not applicable						
Coupling Method	<input checked="" type="checkbox"/> Direct <input type="checkbox"/> V-Belt	Speed at Full Load					
Shaft Extension	<input checked="" type="checkbox"/> Single <input type="checkbox"/> Double	Torque		1775 r.p.m			
Terminal Box	Main	<input type="checkbox"/> Steel <input checked="" type="checkbox"/> Cast Iron	Full Load		10.2 kg·m		
	Aux.	<input type="checkbox"/> Yes <input checked="" type="checkbox"/> No	Locked-rotor**		170 %		
	Location	Refer to Outline Drawing					
Application		Breakdown**		220 %			
Area classification	Not applicable	Moment of Inertia (J)					
Type of Ex-Protection	Non-Hazardous	Load(Max.)		13.800 kg·m ²			
Applicable Standard	KS, IEC, NEMA MG1 Part30(Vpeak)	Motor		0.166 kg·m ²			
ACCESSORIES			SUBMITTAL DRAWING				
			Outline Dimension Drawing		Motor Weight(Approx.)		
			B5		LM-T1183B5PL001	184 kg	
			Main T-Box Ass'y		3M-145860		
			REMARK				
			*.Premium Efficiency(IE3)				
			*.For use on PWM VFD 10:1VT,3:1CT@1.0S.F&F Temp.rise				
SPARE PARTS							
			Date	DSND	CHKD		
			2018-04-25	R.G. KIM	-		
				CHKD	APPD		
				O.J. KIM	S.K. HAN		

Note: Others not mentioned in this data sheet shall be in accordance with maker standard.
 Above technical data are only design values and shall be guaranteed with tolerance of applicable standard.
 Inspection and performance test shall be maker standard, if not mentioned.
 * In case of Inverter-Fed Motor, performance data is based on sine wave tests.
 ** The data are based on rated voltage & frequency, and data are expressed as a percentage of full load value.

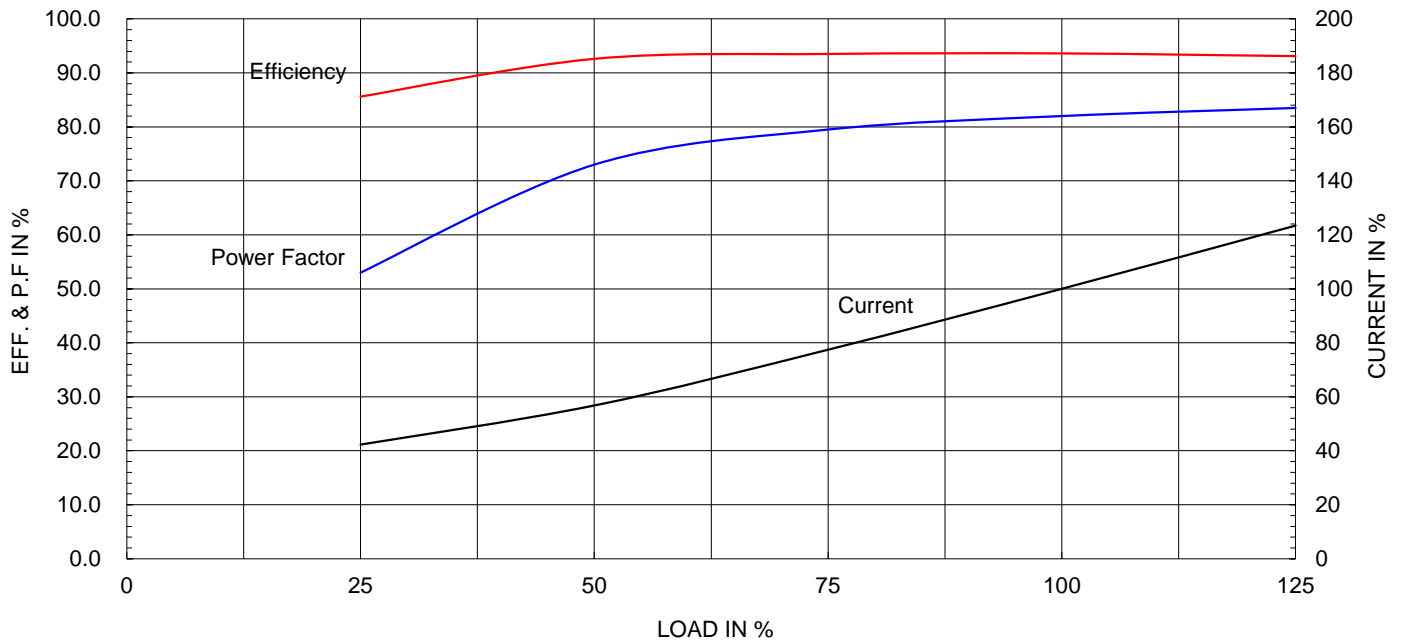
Type :	HLP-18.5/4	
Full Load Torque :	10.2	kg.m
Motor moment of Inertia (J) :	0.166	kg.m ²
Load moment of Inertia (J) :	13.800	kg.m ²

18.5 kW	4 P	60 Hz
Speed at Full Load :		1775 RPM
Rated Voltage	460V	
Full Load Current	30.3A	

SPEED VS TORQUE & CURRENT CURVE



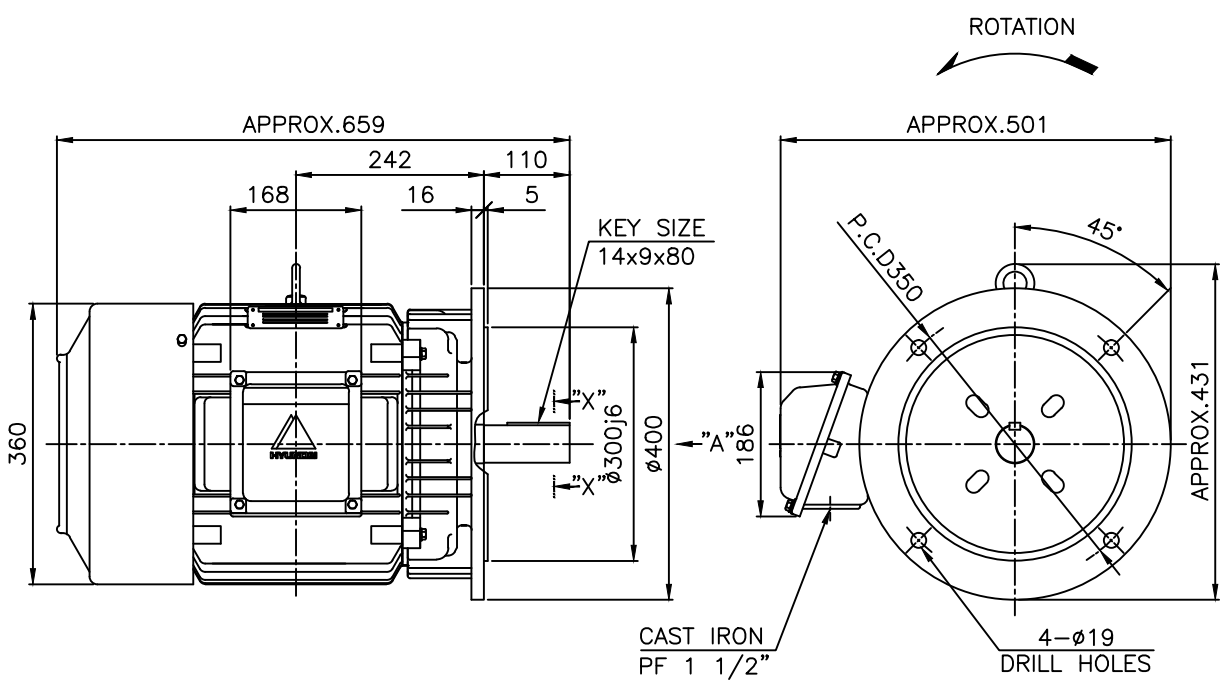
OUTPUT VS EFF., P.F & CURRENT CURVE



본 도면은 현대일렉트릭(주) 재산이므로
허가없이 복사할 수 없음 (취급주의)

THIS DRAWING IS PROPRIETARY TO HYUNDAI ELECTRIC. NO PART OF THIS DRAWING
MAY BE REPRODUCED WITHOUT THE PERMISSION OF HYUNDAI ELECTRIC.

	1	2	3	4				
▽	50S	REV	DATE	CONTENTS	REVD BY	CHKD BY	CHKD BY	APPD BY
▽▽	12.5S							
▽▽▽	3.2S							
▽▽▽▽	0.4S							

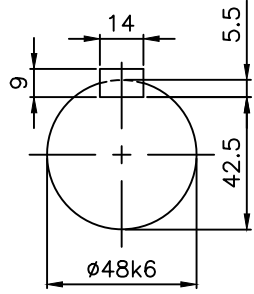


VIEW "A"

NOTE

1.TOLERANCE :

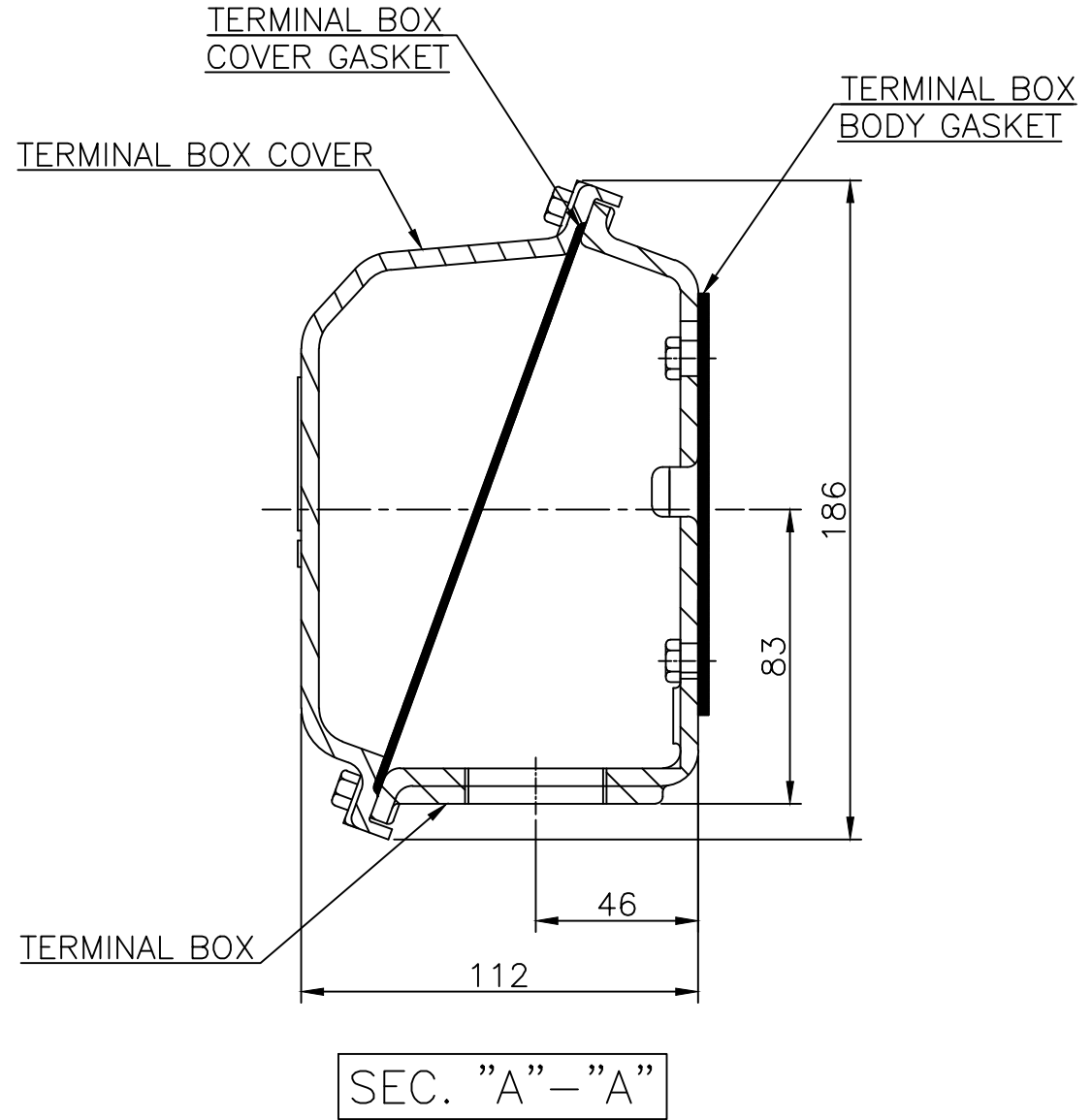
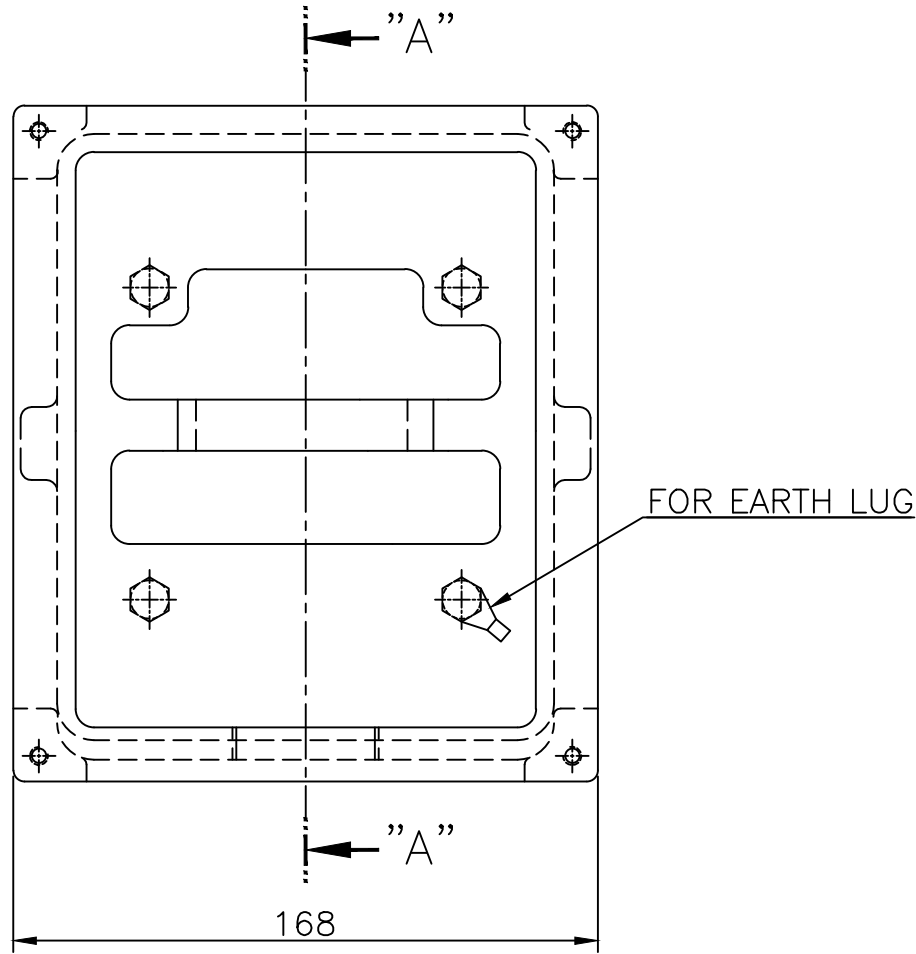
FLANGE HOLES	ø19	+0.52	0
RABBET DIAMETER	ø300	±0.016	
SHAFT DIAMETER	ø48	+0.018	+0.002
KEYWAY WIDTH	14	0	-0.043
KEYWAY DEPTH	5.5	+0.2	0
KEY WIDTH	14	0	-0.043
KEY HEIGHT	9	0	-0.090



SECTION "X-X"
SCALE 4/9

APPD BY	S.K.HAN	UNIT	mm	SUBJECT	KS, IEC Fr.180M	DWG SIZE	A4 (1:1)
CHKD BY	S.Y.KIM	SCALE	1/9	TITLE	OUTLINE		
CHKD BY	R.G.KIM	PROJEC'N	3각법 (3rd Angle)	REF. NO		Sheet No.	of
DSND BY	S.H.YUN	DATE	2018-08-08	DWG NO	LM-T1183B5PL001	Revision No.	2





SEC. "A" - "A"

▽	50S
▽▽	12.5S
▽▽▽	3.2S
▽▽▽▽	0.4S

REV	DATE	CONTENTS	REVD BY	CHKD BY	CHKD BY	APPD BY	일반가공공차		일반제관공차	
							1-4	±0.1	6-30	±0.5
							4-18	±0.2	30-120	±0.8
							18-63	±0.3	120-315	±1.2
							63-250	±0.5	315-1000	±2.0
							250-	±0.8	1000-	±3.0

Q'TY	DESCRIPTION	MATERIAL	DIMENSION	WEIGHT	PART NO.	REMARK	NO.
APPD BY	S.K.HAN	UNIT	mm	SUBJECT	FR.160~180 (CAST IRON)		DWG SIZE
CHKD BY	S.Y.KIM	SCALE	1/2	TITLE			A3 (1:2)
CHKD BY	R.G.KIM	PROJEC'N	3각법(3rd Angle)	Main Terminal Box Assembly			
DSND BY	H.K.LEE	DATE	2011-08-30	REF. NO.	227B8008LA2	Sheet No.	of
				DWG NO.	3M-145860	Revision No.	2