

Customer :
Project Name :
Project No. :
Revision No. :

SPECIFICATION for INDUCTION MOTOR



Contents

- | | |
|--------------------------------------|-----------|
| 1 . Data Sheet of AC Induction Motor | - 1Sheets |
| 2 . Speed-Torque & Current Curve | - 1Sheets |
| 3 . Outline Dimension Drawing | - 1Sheets |
| 4 . Main Terminal Box Drawing | - 1Sheets |

AC INDUCTION MOTOR DATA SHEET

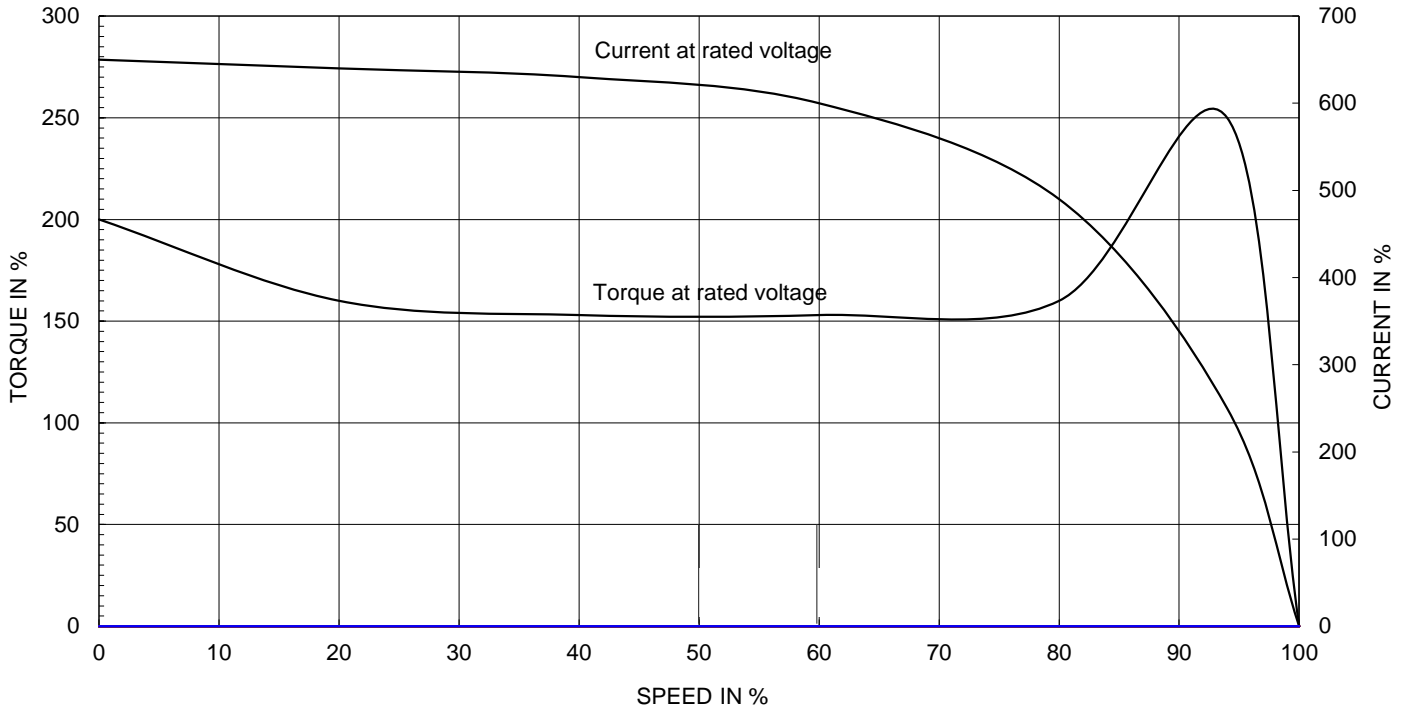
Model No.or RFQ No.	4406KSTD40SSDS1STFE3B51DL0SDS	Item No.		Rev. No.	[]					
Project Name		Project No.		Quantity						
GENERAL SPECIFICATION			PERFORMANCE DATA							
Frame Size	90L	Rated Output	1.5 kW	2 HP						
Type	HLP-1.5/4	Number of Poles	4							
Enclosure(Protection)	Totally Enclosed (IP55)	Rotor Type	Squirrel Cage							
Method of Cooling	IC411(FC)	Starting Method*	<input checked="" type="checkbox"/> D.O.L	<input type="checkbox"/> Y-Δ						
Rated Frequency	60 Hz	Rated Voltage	440 V							
Number of Phases	3	Current	Full Load	3.1 A						
Insulation Class	<input checked="" type="checkbox"/> F <input type="checkbox"/> B <input type="checkbox"/> H		Locked-rotor**	900 %						
Temp. Rise at full load (by resistance method)		Efficiency								
at 1.0 S.F	80 deg. C									
Motor Location	<input checked="" type="checkbox"/> Indoor <input type="checkbox"/> Outdoor	50% Load		81.0 %						
Altitude	Less than 1000	75% Load		85.1 %						
Relative Humidity	Less than 80 %	100% Load		86.5 %						
Ambient Temp.	40 deg. C (Max.)	Power Factor(p.u)								
Duty Type	Continuous(S1)									
Service Factor	1.15									
Mounting	<input type="checkbox"/> B3 <input checked="" type="checkbox"/> B5 <input type="checkbox"/> V1 <input type="checkbox"/> B3/B5	Speed at Full Load		1735 r.p.m						
Bearing	Type	Anti-Friction								
	DE/N-DE	6205ZZ / 6204ZZ								
	Lubricant	Grease(HIFLEX L-3)								
External Thrust	Not applicable									
Coupling Method	<input checked="" type="checkbox"/> Direct <input type="checkbox"/> V-Belt	Moment of Inertia (J)								
Shaft Extension	<input checked="" type="checkbox"/> Single <input type="checkbox"/> Double									
Terminal Box	Main	<input type="checkbox"/> Steel <input checked="" type="checkbox"/> Cast Iron	Load(Max.)		1.050 kg·m ²					
	Aux.	<input type="checkbox"/> Yes <input checked="" type="checkbox"/> No	Motor		0.003 kg·m ²					
	Location	Refer to Outline Drawing								
Application		Sound Pressure Level (No-load & mean value at 1m from motor)								
Area classification	Not applicable	64 dB(A)								
Type of Ex-Protection	Non-Hazardous	Vibration								
Applicable Standard	KS, IEC, NEMA MG1 Part30(Vpeak)	1.6 mm/sec (r.m.s)								
ACCESSORIES										
						SUBMITTAL DRAWING				
						Outline Dimension Drawing		Motor Weight(Approx.)		
						B5	LM-A1095B5P1001	21 kg		
						Main T-Box Ass'y		3M-148548		
REMARK										
*.Premium Efficiency(IE3)										
*.For use on PWM VFD 10:1VT,3:1CT@1.0S.F&F Temp.rise										
SPARE PARTS										
Date	DSND	CHKD	CHKD	APPD						
2018-04-25	R.G. KIM	-	O.J. KIM	S.K. HAN						

Note: Others not mentioned in this data sheet shall be in accordance with maker standard.
 Above technical data are only design values and shall be guaranteed with tolerance of applicable standard.
 Inspection and performance test shall be maker standard, if not mentioned.
 * In case of Inverter-Fed Motor, performance data is based on sine wave tests.
 ** The data are based on rated voltage & frequency, and data are expressed as a percentage of full load value.

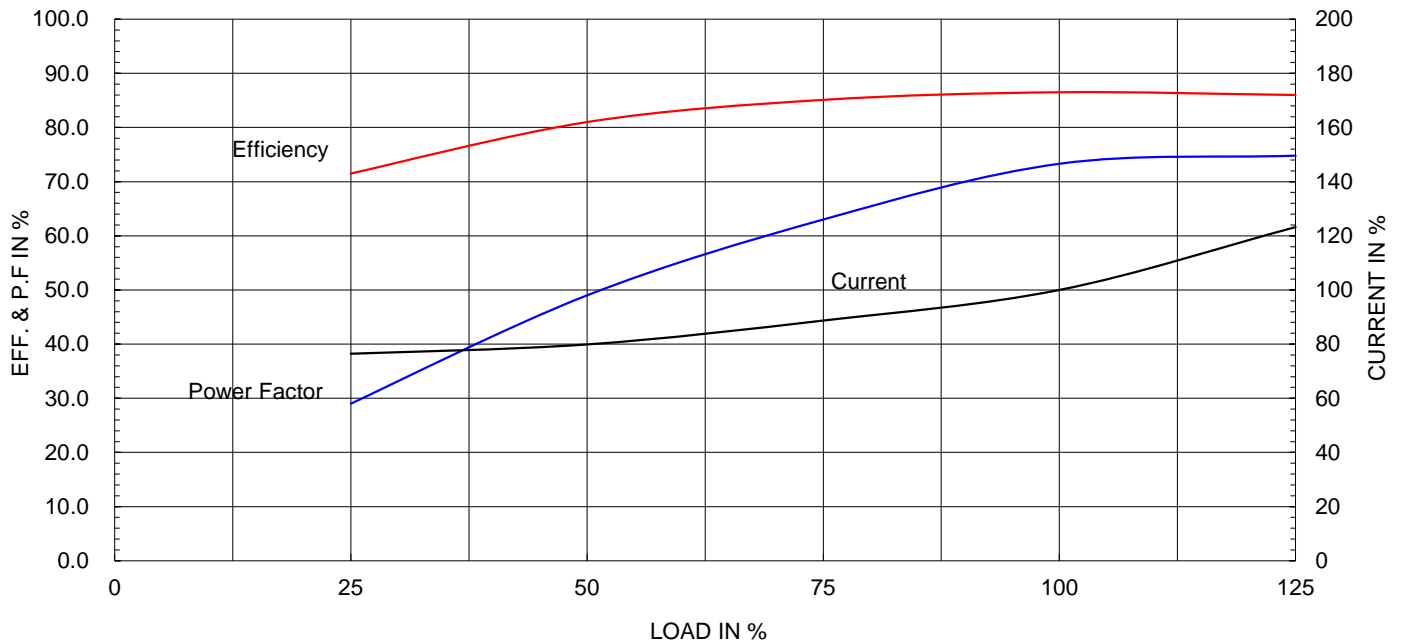
Type :	HLP-1.5/4	
Full Load Torque :	0.8	kg.m
Motor moment of Inertia (J) :	0.003	kg.m ²
Load moment of Inertia (J) :	1.050	kg.m ²

1.5 kW	4 P	60 Hz
Speed at Full Load :		1735 RPM
Rated Voltage	440V	
Full Load Current	3.1A	

SPEED VS TORQUE & CURRENT CURVE



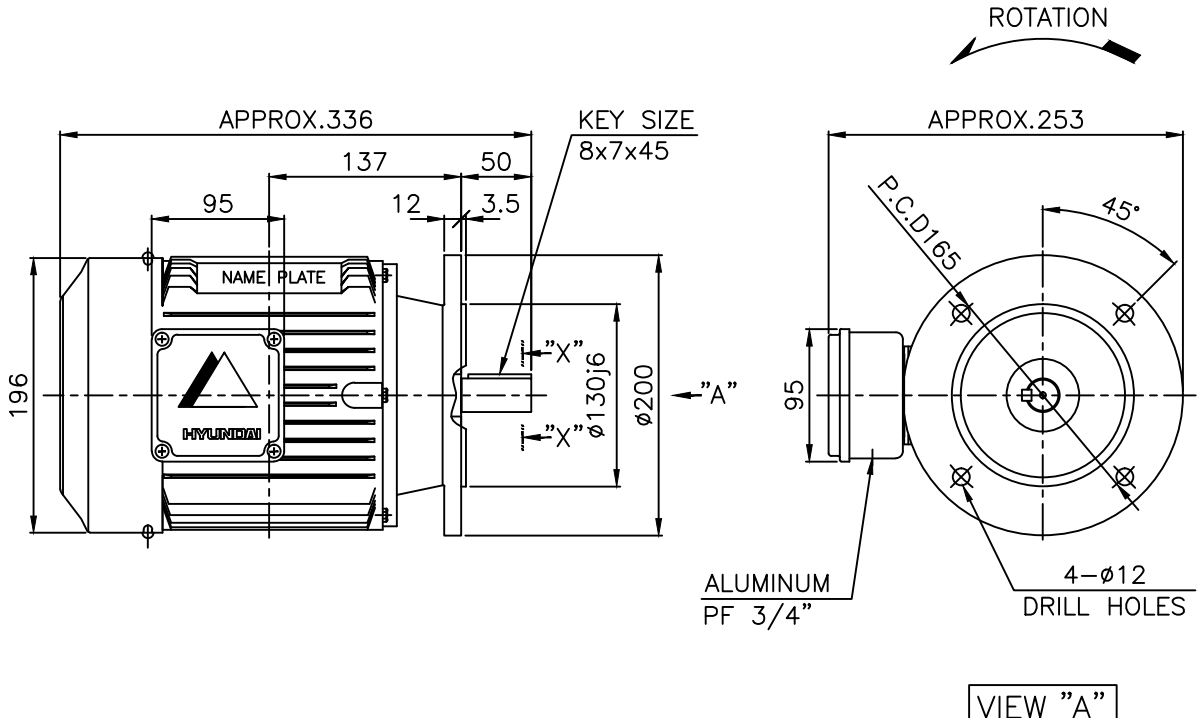
OUTPUT VS EFF., P.F & CURRENT CURVE



본 도면은 현대일렉트릭(주) 재산이므로
허가없이 복사할 수 없음 (취급주의)

THIS DRAWING IS PROPRIETARY TO HYUNDAI ELECTRIC. NO PART OF THIS DRAWING
MAY BE REPRODUCED WITHOUT THE PERMISSION OF HYUNDAI ELECTRIC.

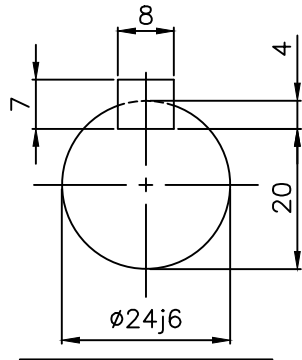
	1	2	3	4				
▽	50S	REV	DATE	CONTENTS	REVD BY	CHKD BY	CHKD BY	APPD BY
▽▽	12.5S							
▽▽▽	3.2S							
▽▽▽▽	0.4S							



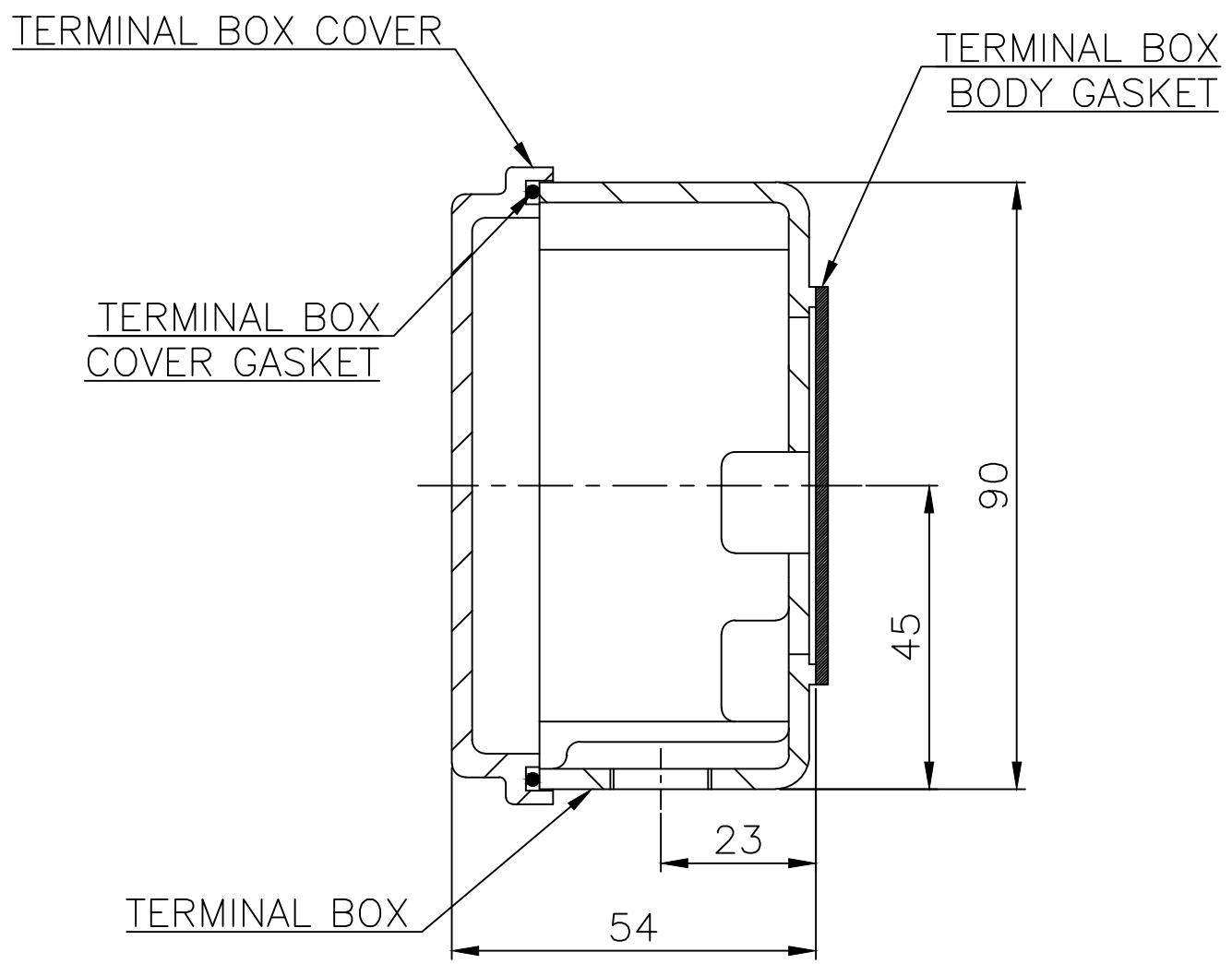
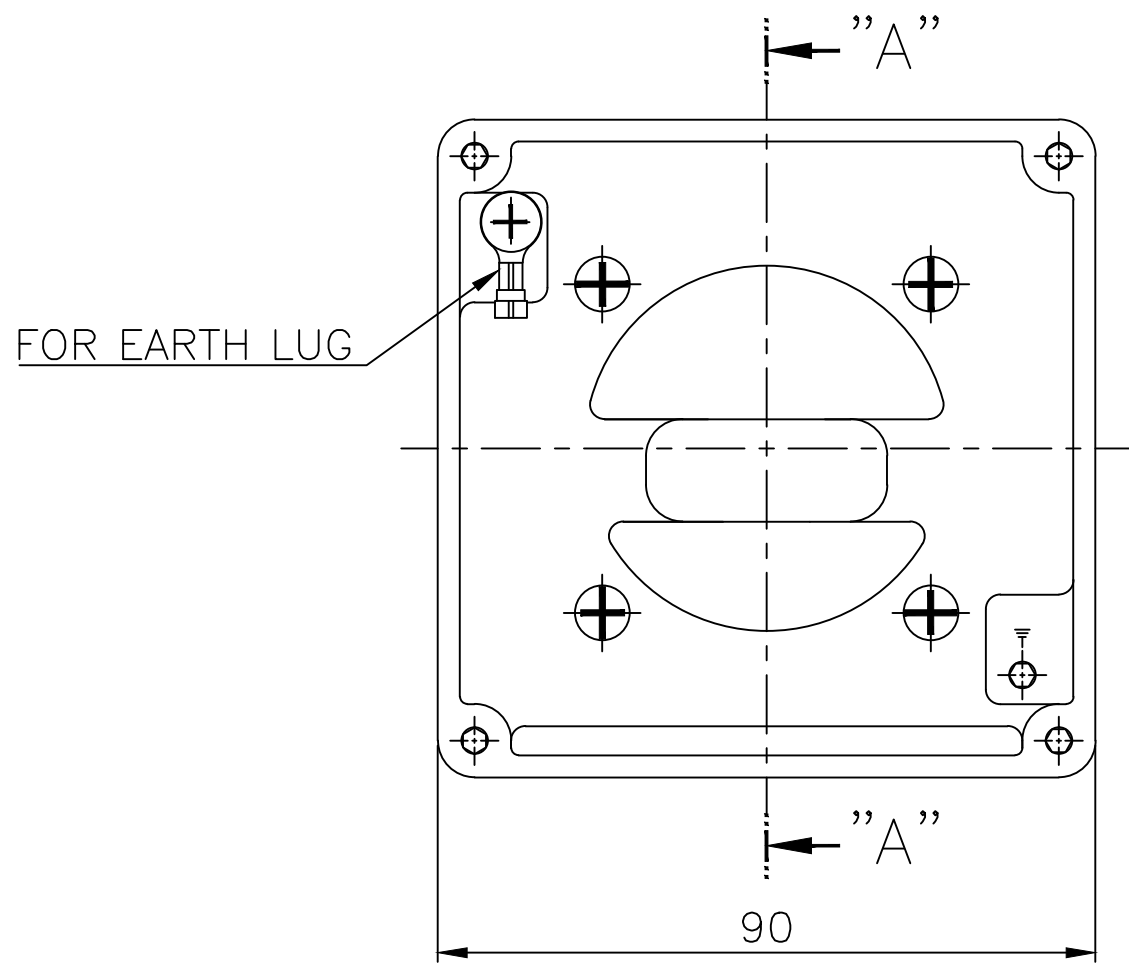
NOTE

1.TOLERANCE :

FLANGE HOLES	$\phi 12$	$+0.43$ 0
RABBET DIAMETER	$\phi 130$	$+0.014$ -0.011
SHAFT DIAMETER	$\phi 24$	$+0.009$ -0.004
KEYWAY WIDTH	8	0 -0.036
KEYWAY DEPTH	4	$+0.2$ 0
KEY WIDTH	8	0 -0.036
KEY HEIGHT	7	0 -0.090



APPD BY	S.K.HAN	UNIT	mm	SUBJECT	KS, IEC Fr.90L	DWG SIZE	A4 (1:5)
CHKD BY	S.Y.KIM	SCALE	1/5	TITLE OUTLINE			
CHKD BY	R.G.KIM	PROJEC'N	3각법 (3rd Angle)				
DSND BY	S.H.YUN	DATE	2018-08-08	REF. NO		Sheet No.	of
				DWG NO	LM-A1095B5P1001	Revision No.	0



SEC. "A" - "A"

▽	50S
▽▽	12.5S
▽▽▽	3.2S
▽▽▽▽	0.4S

REV	DATE	CONTENTS	REVD BY	CHKD BY	CHKD BY	APPD BY

일반가공공차		일반계관공차	
1-4	±0.1	6-30	±0.5
4-18	±0.2	30-120	±0.8
18-63	±0.3	120-315	±1.2
63-250	±0.5	315-1000	±2.0
250-	±0.8	1000-	±3.0

Q'TY	DESCRIPTION	MATERIAL	DIMENSION	WEIGHT	PART NO.	REMARK	NO.
APPD BY	S.K.HAN	UNIT	mm	SUBJECT	FR.71~90 (AL)	DWG SIZE	A3 (1:1)
CHKD BY	S.Y.KIM	SCALE	1/1	TITLE Terminal Box Arrangement			
CHKD BY	R.G.KIM	PROJEC'N	3각법(3rd Angle)				
DSND BY	이혜경R	DATE	2011-10-26				
REF. NO		227B1537AA		Sheet No.		of	
DWG NO		3M-148548		Revision No.		2	

