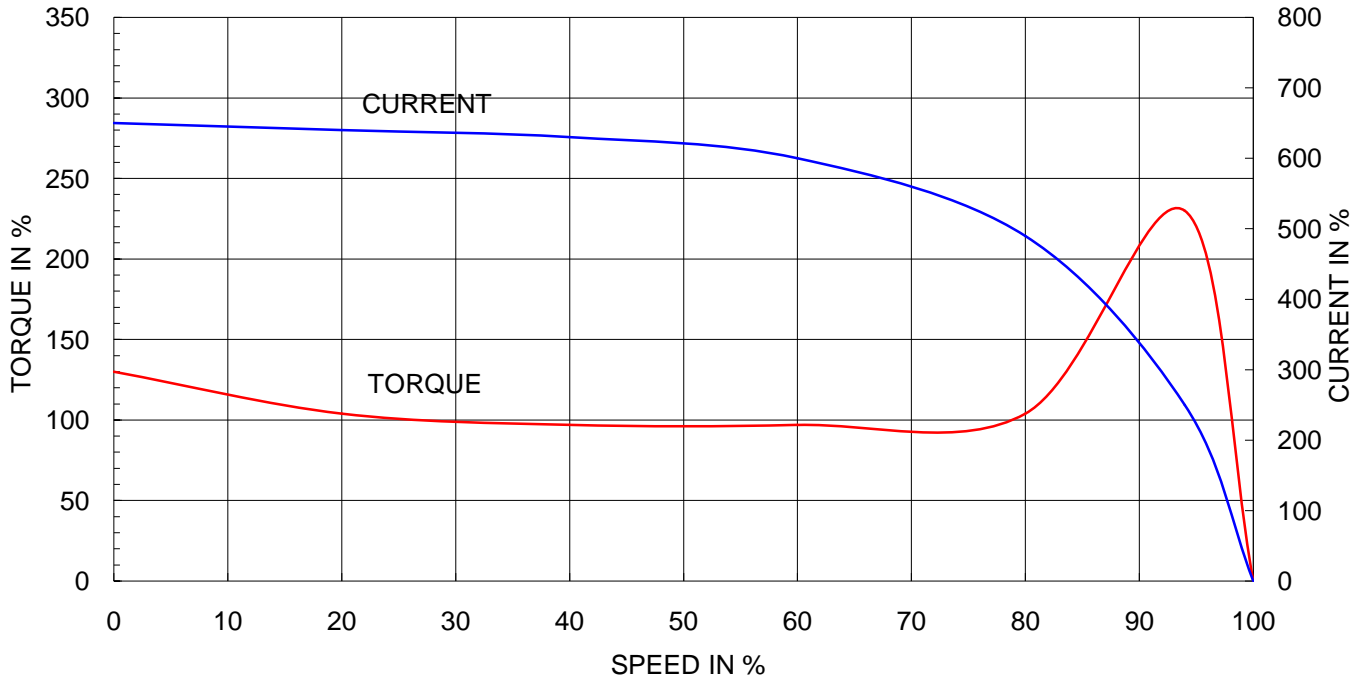


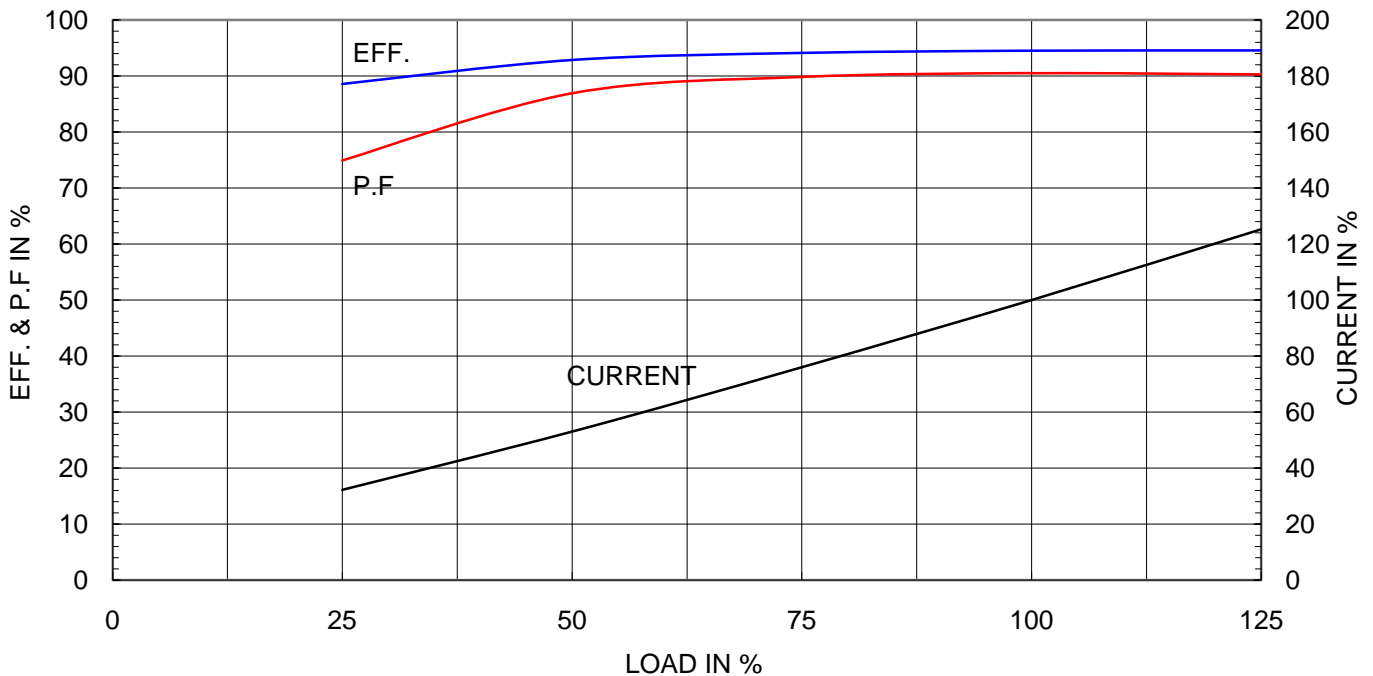
Type	: GHB250M
Full Load Torque	: 24.6 Kg.m
Motor moment of Inertia (J)	: 1.143 Kg.m ²
Load moment of Inertia (J)	: 10.050 Kg.m ²

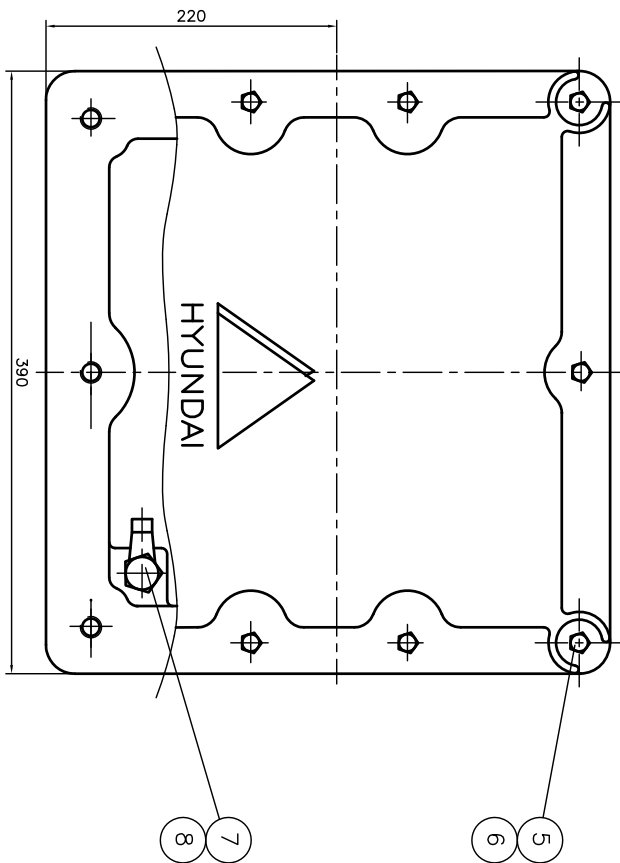
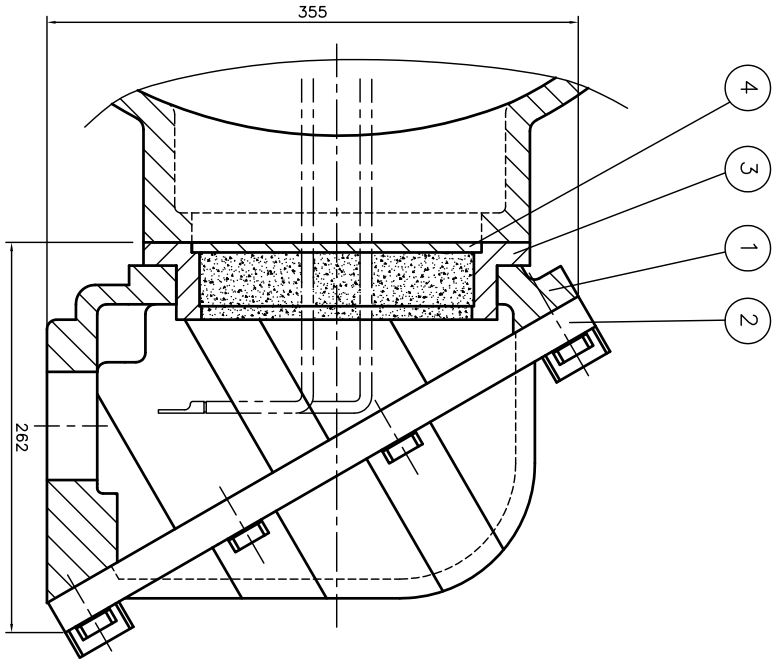
90 kW	2 P	60 Hz	
Speed at Full Load : 3570 RPM			
Rated Voltage	440V	380V	220V
Full Load Current	138.1A	159.9A	276.2A

SPEED VS TORQUE & CURRENT CURVE



OUTPUT VS EFF., P.F & CURRENT CURVE





QTY	DESCRIPTION	MATERIAL	DIMENSION	WEIGHT	PART NO.	REMARK	NO.
1	HEX. BOLT	BRONZE	M10				8
1	EARTH TERMINAL LUG	STD					7
10	SPRING WASHER	SUP-3					6
10	HEX. BOLT	S45C	M12				5
1	GUIDE PLATE	E.C.P					4
1	ADAPTER	FC25					3
1	TERMINAL BOX COVER	FC25					2
1	TERMINAL BOX BODY	FC25					1

APRD BY	UNIT	MM	SUBJECT	H/LAB FR-250,280 (2234)	GO PROJ & FILE #
Q.P. CHK	SCALE	NONE	TITLE	TERMINAL BOX ASS'Y	F-300-4 \ 300007
CHGD BY	PROJECN	3.24(3rd Angle)			
DSND BY	KIM JONG SEON	DATE	98.10.30		
				REF. NO	
				DWG NO	3M-036962
				Sheet No.	
				of	
				Revision No.	

REV	DATE	CONTENTS	REQD BY	CHKD BY	APRD BY
1					
2					
3					
4					

