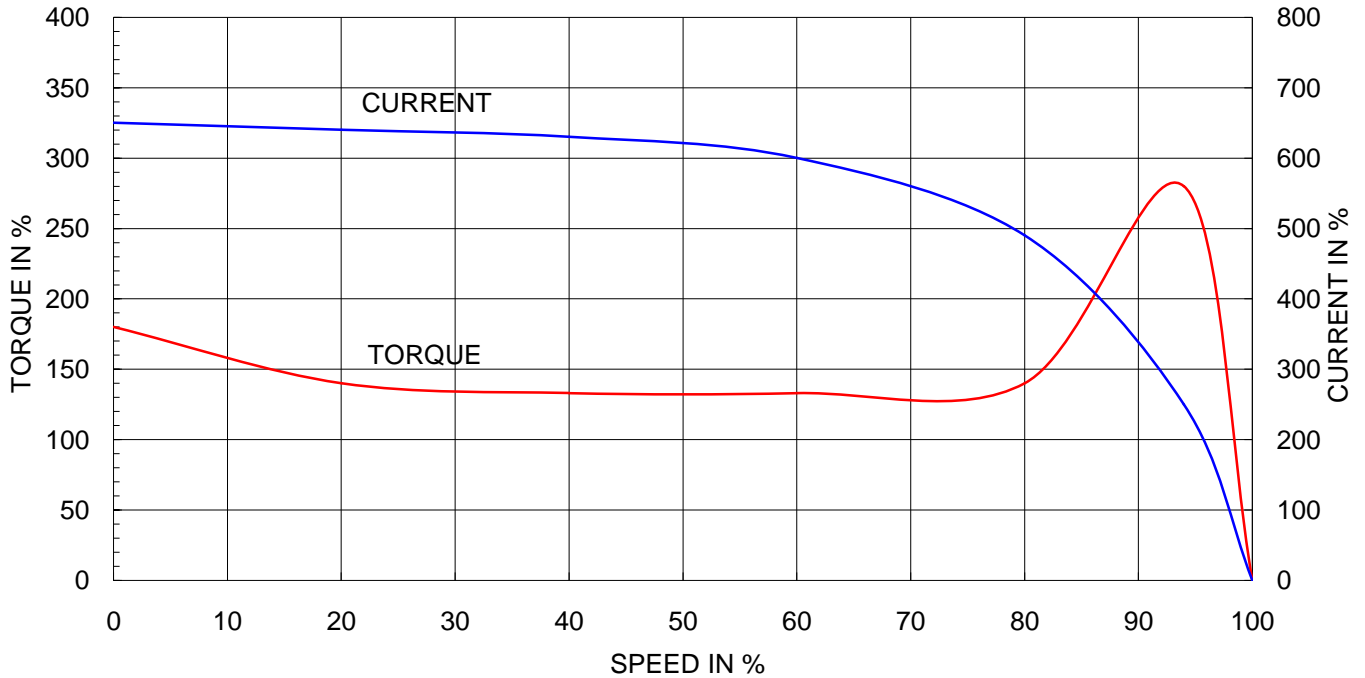


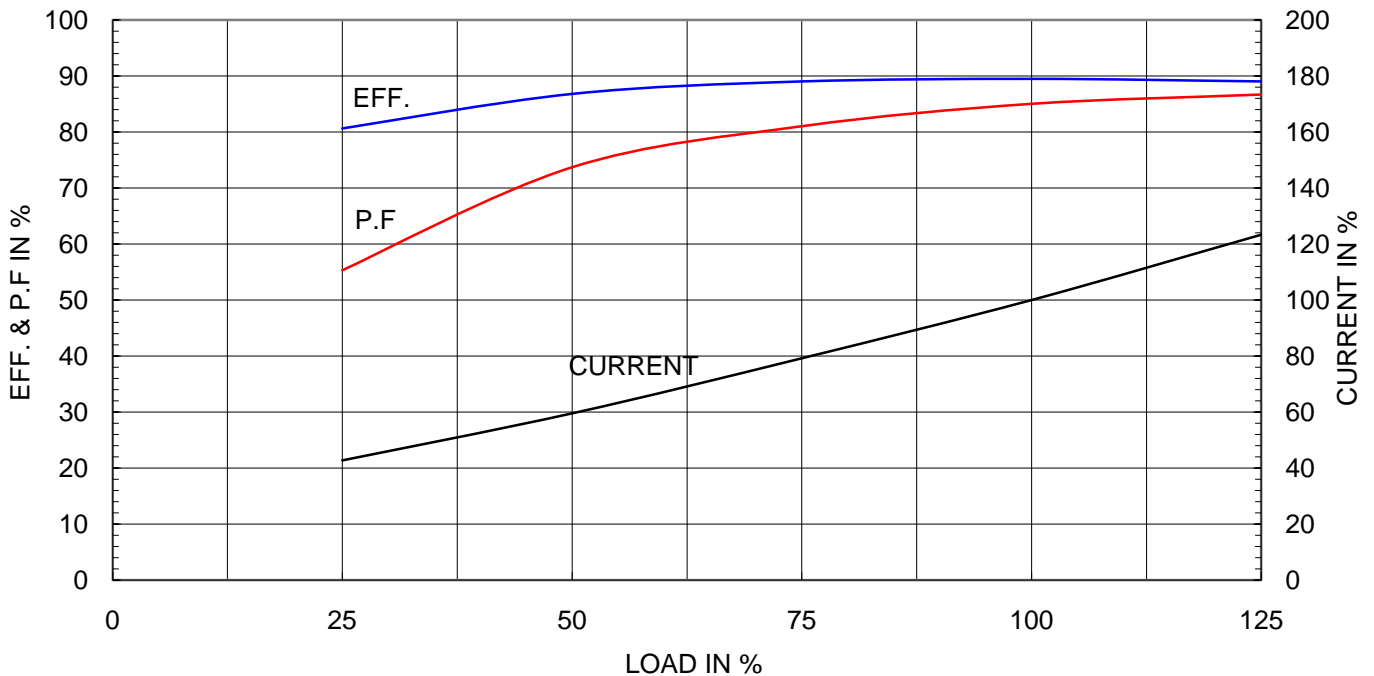
Type	:	HL-XP
Full Load Torque	:	2.1 Kg.m
Motor moment of Inertia (J)	:	0.019 Kg.m ²
Load moment of Inertia (J)	:	1.600 Kg.m ²

7.5 kW	2 P	60 Hz	
Speed at Full Load :		3525 RPM	
Rated Voltage	440V	380V	220V
Full Load Current	12.9A	15.0A	25.9A

SPEED VS TORQUE & CURRENT CURVE



OUTPUT VS EFF., P.F & CURRENT CURVE





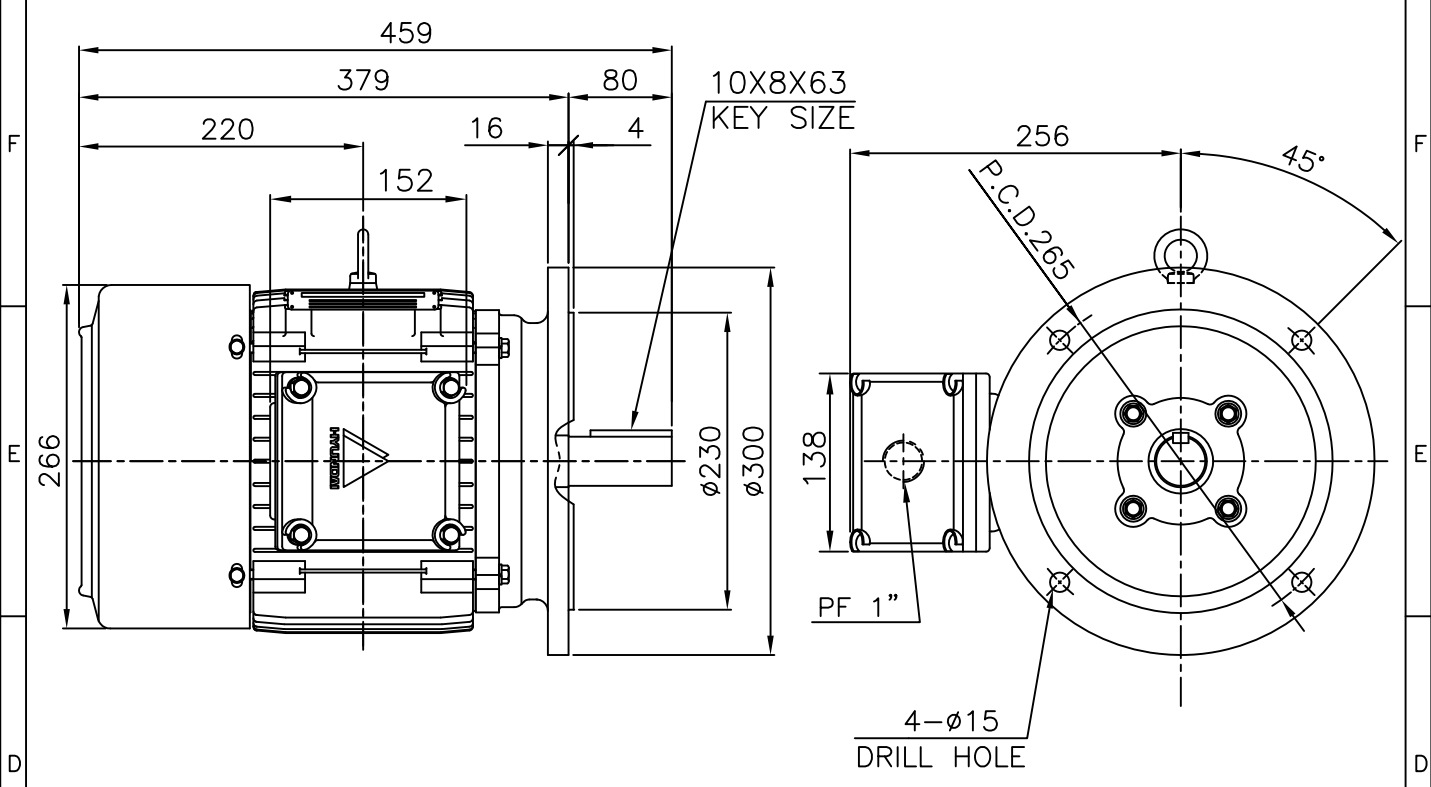
TEFC

THREE PHASE INDUCTION MOTOR

TYPE

HL , HLS

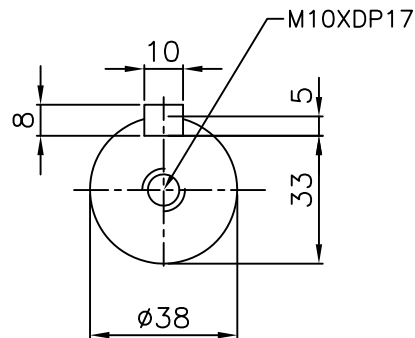
CAST IRON FRAME



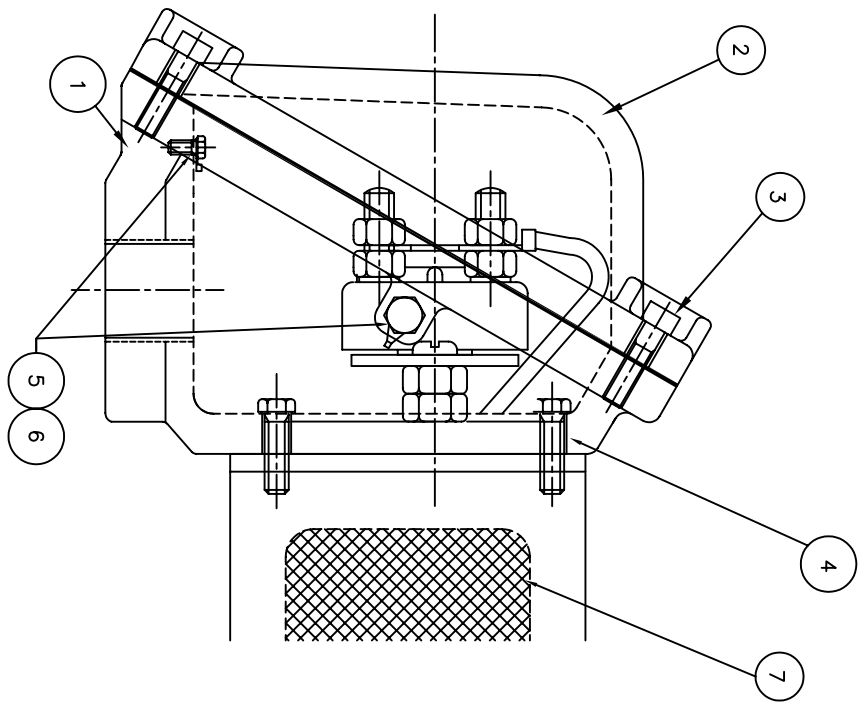
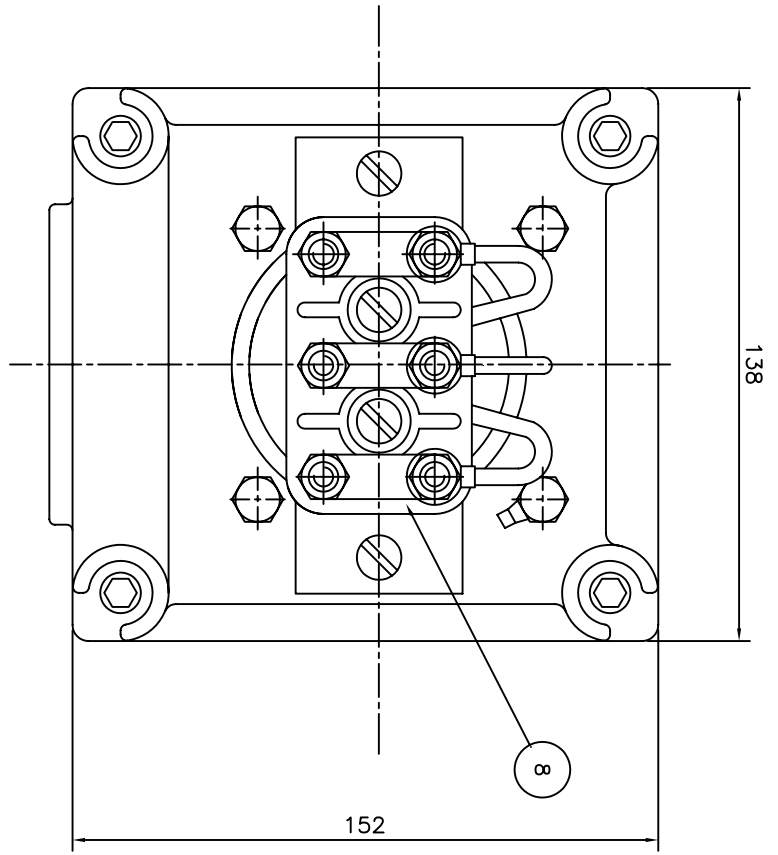
NOTE

1.TOLERANCE :

FLANGE HOLES	$\phi 15^{+0.43}_{-0}$
RABBET DIAMETER	$\phi 230^{+0.014}_{-0.011}$
SHAFT DIAMETER	$\phi 38^{+0.018}_{+0.002}$
KEYWAY WIDTH	$10^{+0}_{-0.036}$
KEYSEAT DEPTH	$5^{+0.2}_{-0}$



APPD BY	J. H. KIM	UNIT	mm	SUBJECT	KS 132S	CAD PROJ \ FILE
CHKD BY	Y. S. KIM	SCALE	1/6			XSDNKS\B2022AA03
CHKD BY	S. H. KO	PROJEC'N	3rd Angle	TITLE OUTLINE		
DSND BY	I. K. KIM	DATE	2002.12.07			
				REF. NO	B2022AA03	Sheet No. of
				DWG NO	227B2022AA03	Revision No. 0



Q'TY	DESCRIPTION	MATERIAL	DIMENSION	WEIGHT	PART NO.	REMARK	NO.
1	TERMINAL BLOCK	D4C29C					8
1	SEALING COMPOUND	CU					7
2	GRD. TERMINAL LUG	S45C					6
2	GRD. BOLT	S45C					5
4	T/B + FRAME BOLT	S45C					4
4	T/B + COVER BOLT	S45C					3
1	TERMINAL BOX COVER	FC15					2
1	TERMINAL BOX ASSEMBLY	FC15					1

APPD BY	UNIT	MM	SUBJECT	IEC100 *32FR d2G4	CAD PROJ. FILE
CHKD BY	SCALE	N/S	TITLE		XSMOUT\7B1468LC
CHKD BY	PROJEC'N	3 *4 (3rd Angle)	MAIN TERMINAL BOX		
DSND BY	DATE	99.2.2			
	DESIGNER	LEE E.J.			
	REF. NO.	7B1469LC			
	DWG NO.	227B1469LC			
	SHEET NO.				
	OF				
	REVISION NO.	0			

REV	DATE	CONTENTS	REV'D BY	CHK'D BY	APP'D BY
1					
2					
3					
4					



HYUNDAI
HEAVY INDUSTRIES CO. LTD.
ELECTRICAL ENGINEERING DIVISION