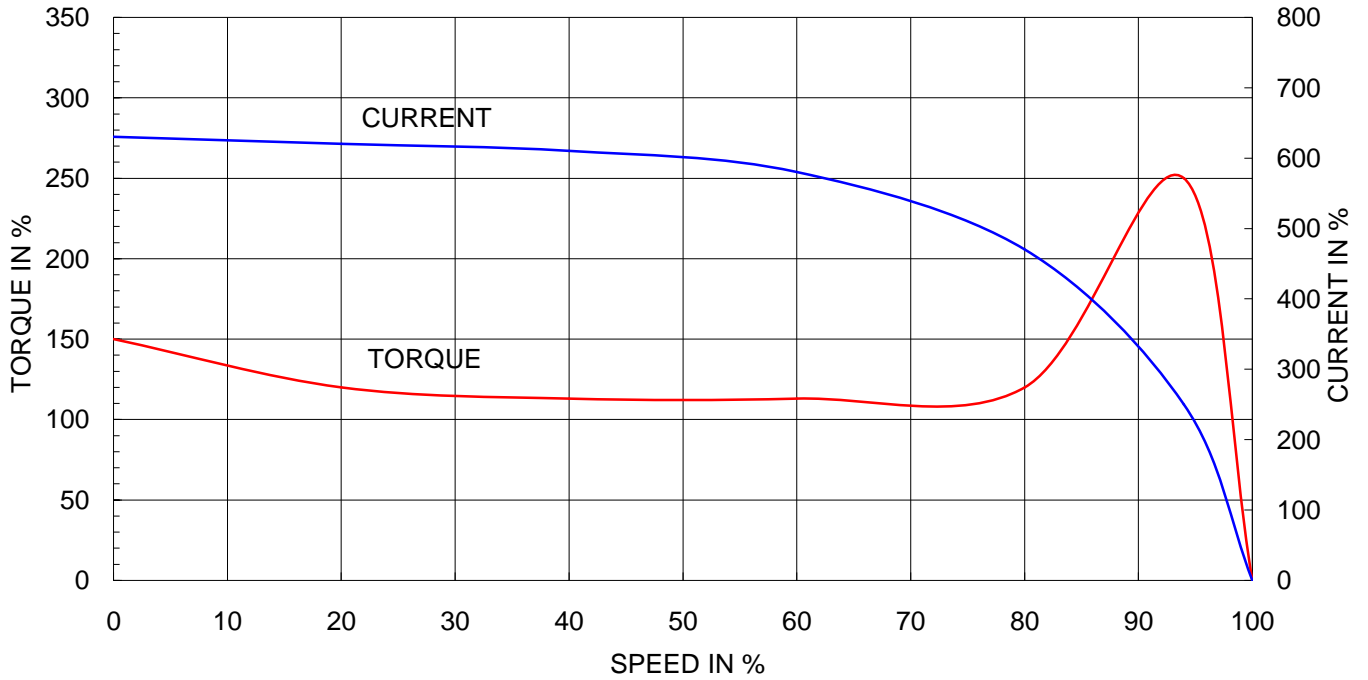




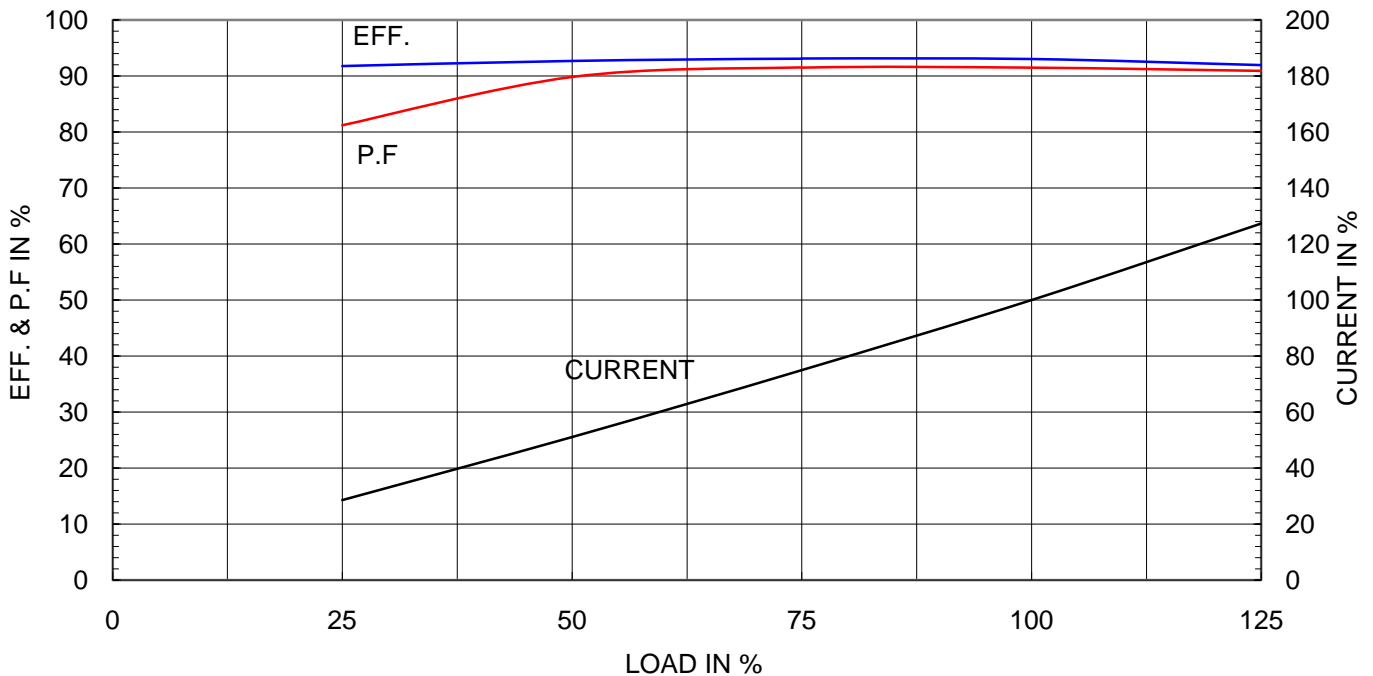
Type	: GHB225M
Full Load Torque	: 15.0 Kg.m
Motor moment of Inertia (J)	: 0.628 Kg.m <sup>2</sup>
Load moment of Inertia (J)	: 5.750 Kg.m <sup>2</sup>

55 kW	2 P	60 Hz	
Speed at Full Load : 3570 RPM			
Rated Voltage	440V	380V	220V
Full Load Current	84.8A	98.2A	169.6A

SPEED VS TORQUE & CURRENT CURVE



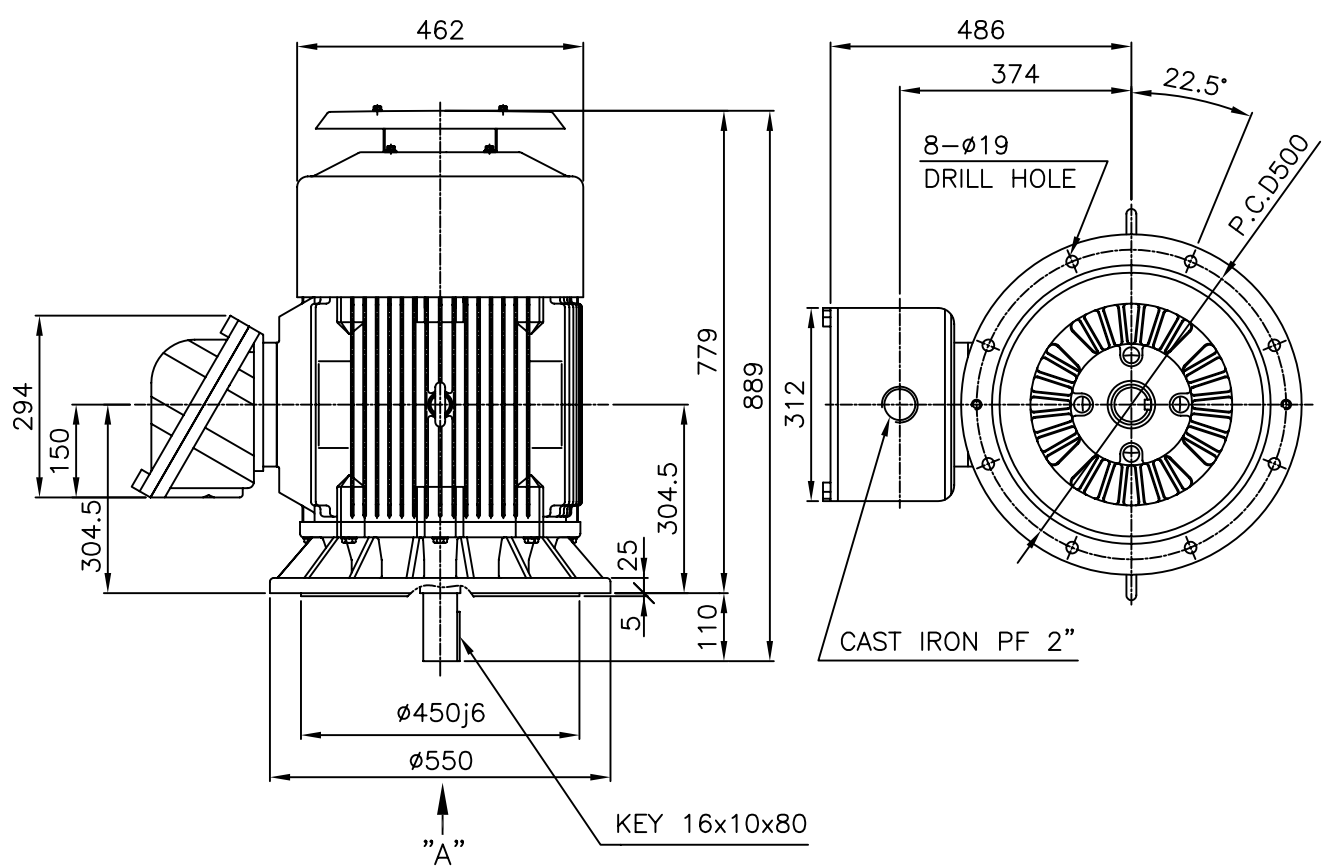
OUTPUT VS EFF., P.F & CURRENT CURVE



본 도면은 현대중공업(주) 재산이므로  
허가없이 복사할 수 없음 (취급주의)

THIS DRAWING IS PROPRIETARY TO HHI. NO PART OF THIS DRAWING  
MAY BE REPRODUCED WITHOUT THE PERMISSION OF HHI.

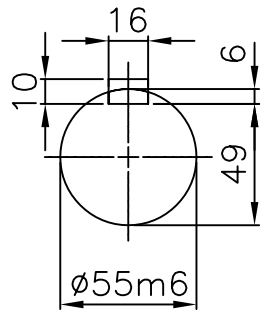
		<h1>TEFC</h1>		<b>TYPE</b> GHB225M CAST IRON FRAME
		<b>THREE PHASE INDUCTION MOTOR</b>		



**NOTE**

1. TOLERANCE :

RABBET DIAMETER	$\phi 450 \pm 0.020$
SHAFT DIAMETER	$\phi 55 \begin{matrix} +0.030 \\ +0.011 \end{matrix}$
KEYWAY WIDTH	$16 \begin{matrix} -0.018 \\ -0.061 \end{matrix}$
KEYWAY DEPTH	$6 \begin{matrix} +0.2 \\ 0 \end{matrix}$
KEY WIDTH	$16 \begin{matrix} 0 \\ -0.043 \end{matrix}$
KEY HEIGHT	$10 \begin{matrix} 0 \\ -0.090 \end{matrix}$

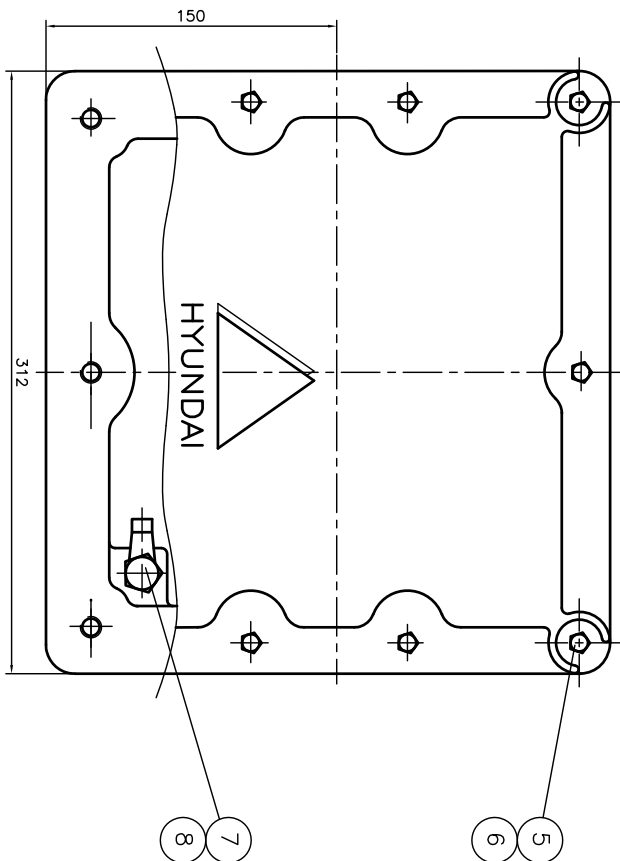
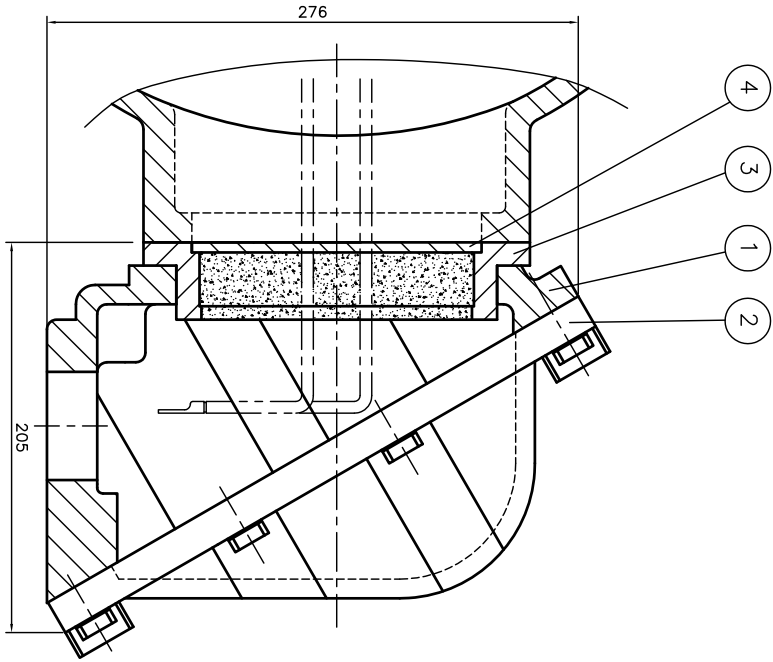


**VIEW "A"**  
SCALE 4/1

2. Ex d IIB T4 : (EXPLOSION CONSTRUCTION & IGNITION GROUP)

TEFC STANDARD
CAD PROJ \ FILE
MMSTDMTR/GJ25PC01

APPD BY	Y.S.KIM	UNIT	MM	SUBJECT	KS Fr.225 d2G4	TITLE	OUTLINE THREE-PHASE INDUCTION MOTOR
CHKD BY		SCALE	1/13				
CHKD BY		PROJEC'N	3rd Angle	REF. NO	L3-SERIES	Sheet No.	of
DSND BY	LEE NOH DUK	DATE	2008.07.14	DWG NO	GJ25PC01	Revision No.	0



REV	DATE	CONTENTS	REQD BY	CHKD BY	APPD BY
1					
2					
3					
4					

QTY	DESCRIPTION	MATERIAL	DIMENSION	WEIGHT	PART NO.	REMARK	NO.
1	HEX BOLT	BRONZE	M10				8
1	EARTH TERMINAL LUG	STD					7
10	SPRING WASHER	SUP-3					6
10	HEX BOLT	S4SC	M8				5
1	GUIDE PLATE	E.C.P					4
1	ADAPTER	FC25					3
1	TERMINAL BOX COVER	FC25					2
1	TERMINAL BOX BODY	FC25					1

APPD BY	KANG K.J	UNIT	MM
Q.P. CHK	KIM O.J	SCALE	NONE
CHGD BY		PROJCTN	3M(3rd Angle)
DSND BY	KIM JONG SEON	DATE	98.10.30

REF. NO		SHEET NO.	
DWG NO	3M-036961	of	

TITLE	TERMINAL BOX ASS'Y
SUBJECT	HU66 FR-225 (22C4)
DATE	98.10.30
DESIGNER	KIM JONG SEON
CHECKER	KIM O.J
APPROVER	KANG K.J



3M-036961