

AC INDUCTION MOTOR DATA SHEET

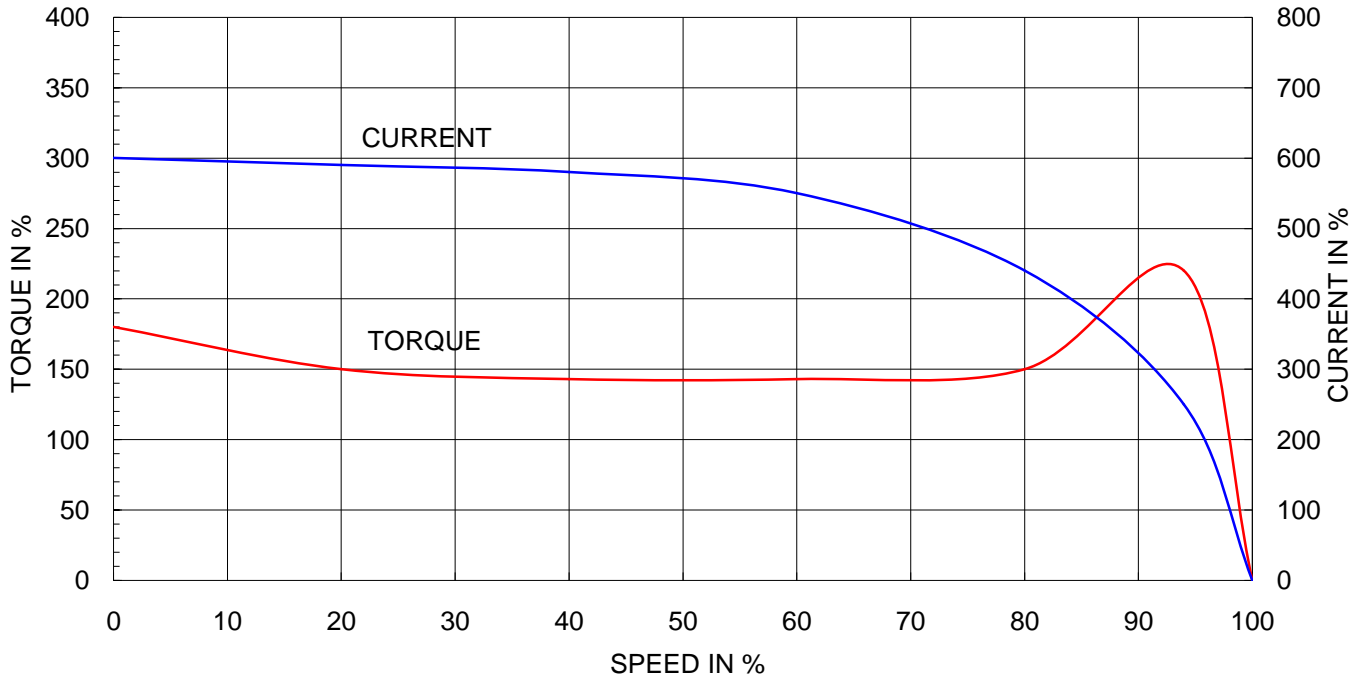
Model No.or RFQ No.		Item No.		Rev. No. [0]			
Project Name		Project No.		Quantity sets			
GENERAL SPECIFICATION			PERFORMANCE DATA				
Frame Size	132M		Rated Output	5.5 kW 7.5 HP			
Type	HL-XP		Number of Poles	6			
Enclosure(Protection)	Explosion Proof (IP55)		Rotor Type	Squirrel Cage			
Method of Cooling	IC411(FC)		Starting Method*	<input checked="" type="checkbox"/> D.O.L <input type="checkbox"/> Y- Δ			
Rated Frequency	60 Hz		Rated Voltage	440 V	380 V 220 V		
Number of Phases	3		Current	Full Load	11.1 A 12.9 A 22.2 A		
Insulation Class	<input checked="" type="checkbox"/> F <input type="checkbox"/> B <input type="checkbox"/> H		Locked-rotor**	600 %	600 % 600 %		
Temp. Rise at full load (by resistance method)			Efficiency				
at 1.0 S.F 80 deg. C			50% Load 89.0 %				
Motor Location	<input checked="" type="checkbox"/> Indoor <input type="checkbox"/> Outdoor		75% Load 89.7 %				
Altitude	Less than 1000 meter		100% Load 89.5 %				
Relative Humidity	Less than 80 %		Power Factor(p.u)				
Ambient Temp.	40 deg. C (Max.)		50% Load 0.544				
Duty Type	Continuos (S1)		75% Load 0.667				
Service Factor	1.00		100% Load 0.725				
Mounting	<input checked="" type="checkbox"/> B3 <input type="checkbox"/> B5 <input type="checkbox"/> V1 <input type="checkbox"/> B3/B5		Speed at Full Load 1165 r.p.m				
Bearing	Type	Anti-Friction		Torque			
	DE/N-DE	6208ZZC3 / 6208ZZC3		Full Load 4.6 kg·m			
	Lubricant	Grease(Polyrex-EM)		Locked-rotor** 180 %			
External Thrust	Not applicable		Breakdown** 220 %				
Coupling Method	<input checked="" type="checkbox"/> Direct <input type="checkbox"/> V-Belt		Moment of Inertia (J)				
Shaft Extension	<input checked="" type="checkbox"/> Single <input type="checkbox"/> Double		Load(Max.) 13.000 kg·m ²				
Terminal Box	Main	<input type="checkbox"/> Steel <input checked="" type="checkbox"/> Cast Iron		Motor 0.052 kg·m ²			
	Aux.	<input type="checkbox"/> Yes <input checked="" type="checkbox"/> No		Sound Pressure Level (No-load & mean value at 1m from motor)			
	Location	Refer to Outline Drawing		62 dB(A)			
Application			Vibration 1.6 mm/sec (r.m.s)				
Area classification	Hazardous		Permissible number of consecutive starts				
Type of Ex-Protection	Ex d IIB T4		Cold 3 times				
Applicable Standard	KS,IEC		Hot 2 times				
			Paint	Munsell No. 4.0PB5.4/5.5(VL-451)			
ACCESSORIES			SUBMITTAL DRAWING				
			Outline Dimension Drawing \ Motor Weight(Approx.)				
			B3	227B2002AA04	84 kg		
			B5		kg		
			V1		kg		
			B3/B5		0 kg		
			Main T-Box Ass'y 227B1470LC				
SPARE PARTS			REMARK				
			High Efficiency				
			Date	DSND	CHKD	CHKD	APPD
			2011-04-14	W.H.BACK	S. J. RA	O. J. KIM	J. H. KIM

Note: Others not mentioned in this data sheet shall be in accordance with maker standard.
 Above technical data are only design values and shall be guaranteed with tolerance of applicable standard.
 Inspection and performance test shall be maker standard, if not mentioned.
 * In case of Inverter-Fed Motor, performance data is based on sine wave tests.
 ** Data is based on when the motor is supplied at rated voltage & frequency, and the data is expressed as a percentage of full-load value.

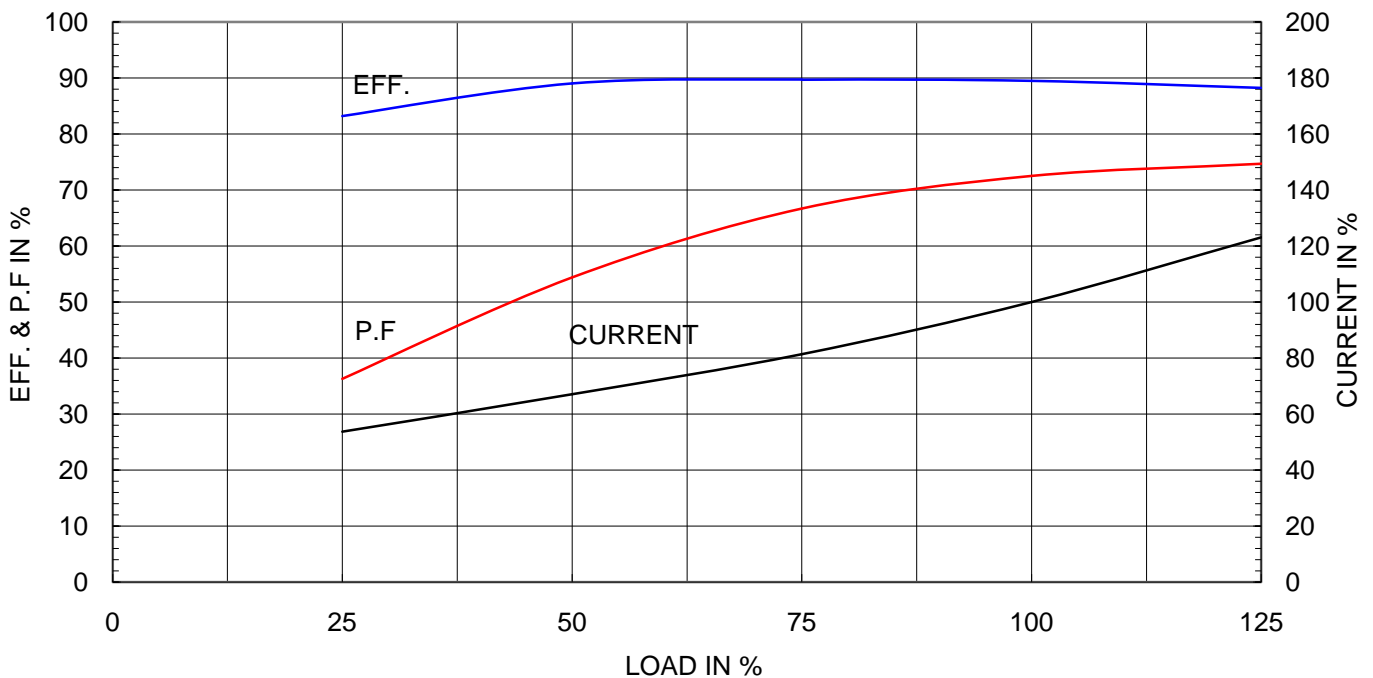
Type	:	HL-XP
Full Load Torque	:	4.6 Kg.m
Motor moment of Inertia (J)	:	0.052 Kg.m ²
Load moment of Inertia (J)	:	13.000 Kg.m ²

5.5 kW	6 P	60 Hz	
Speed at Full Load :		1165 RPM	
Rated Voltage	440V	380V	220V
Full Load Current	11.1A	12.9A	22.2A

SPEED VS TORQUE & CURRENT CURVE



OUTPUT VS EFF., P.F & CURRENT CURVE





TEFC

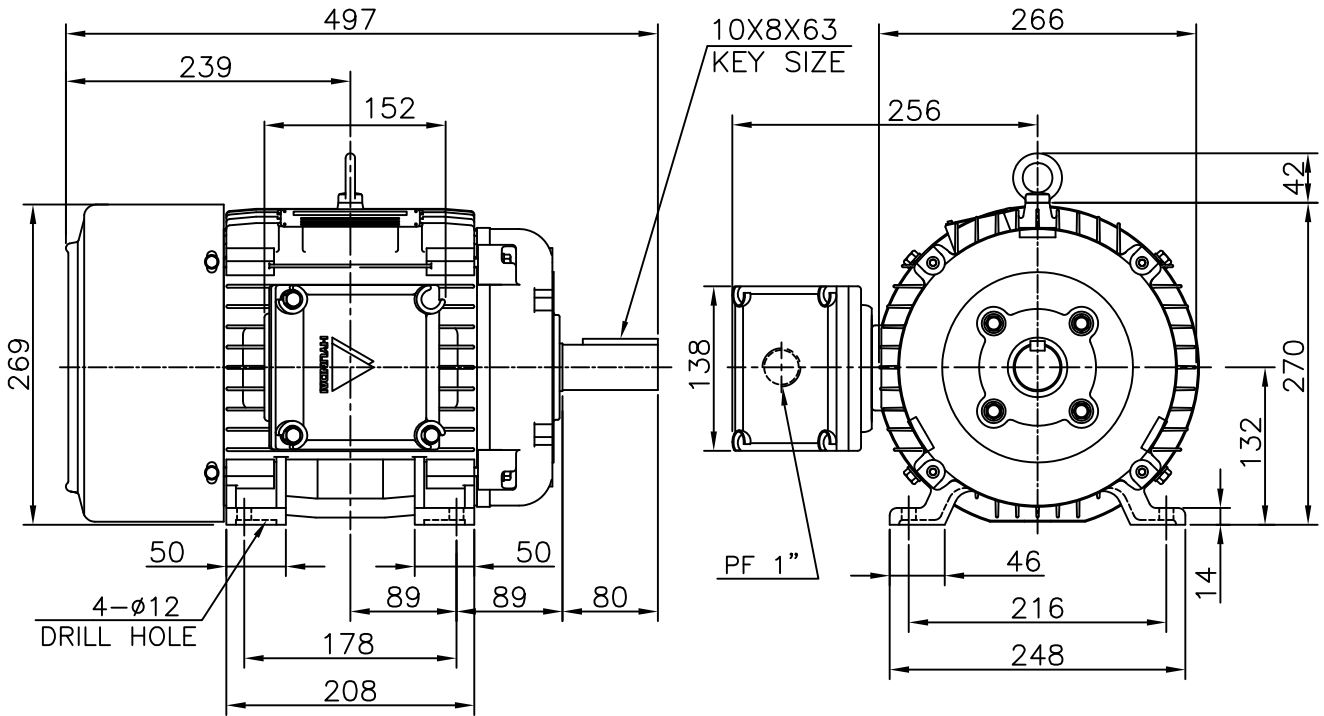
THREE PHASE INDUCTION MOTOR

TYPE

HL, HLS

CAST IRON FRAME

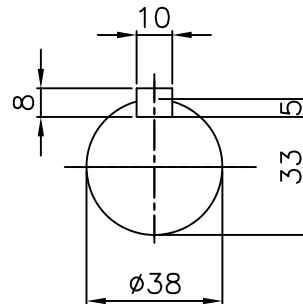
Exd II



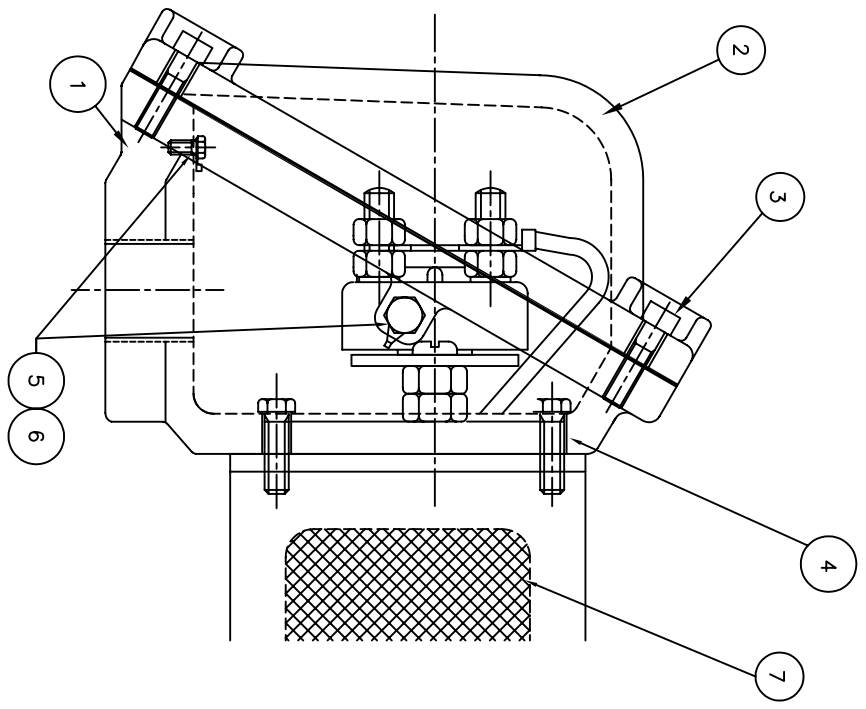
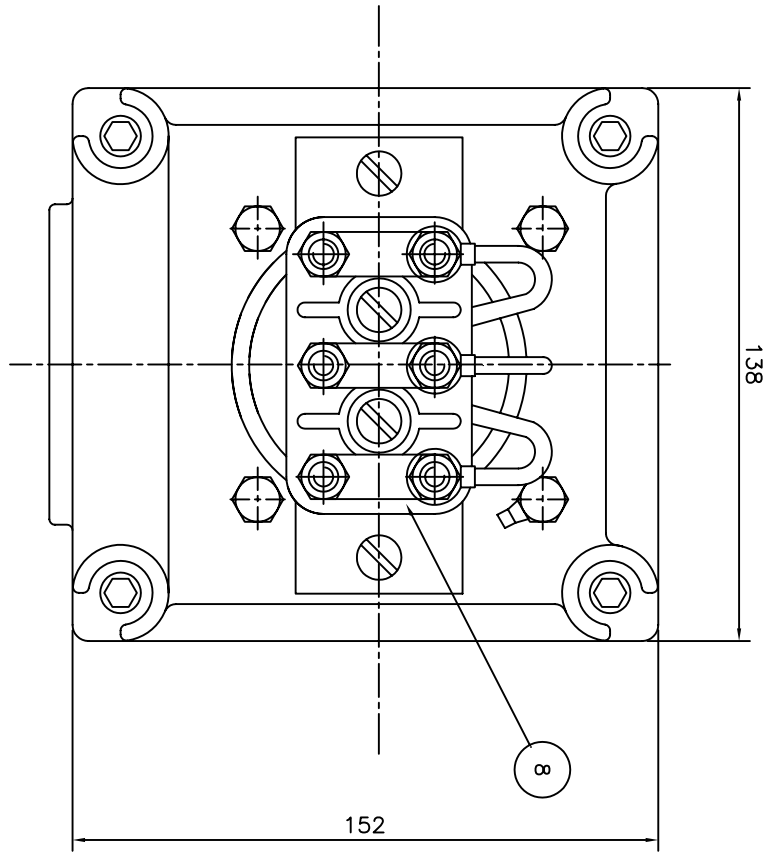
NOTE

1.TOLERANCE :

CENTER HEIGHT	132	$\begin{matrix} 0 \\ -0.5 \end{matrix}$
BASE HOLES	$\phi 12$	$\begin{matrix} +0.43 \\ 0 \end{matrix}$
SHAFT DIAMETER	$\phi 38$	$\begin{matrix} +0.018 \\ +0.002 \end{matrix}$
KEYWAY WIDTH	10	$\begin{matrix} 0 \\ -0.036 \end{matrix}$
KEYWAY DEPTH	5	$\begin{matrix} +0.2 \\ 0 \end{matrix}$



APPD BY	B. M. YOO	UNIT	mm	SUBJECT	KS 132M	CAD PROJ \ FILE	
CHKD BY		SCALE	1/6.5	TITLE	OUTLINE	XSDNKS\B2002AA04	
CHKD BY	S. W. SEO	PROJEC'N	3rd Angle				
DSND BY	J. S. JEONG	DATE	2008.06.27.				
				REF. NO	B2002AA04	Sheet No.	of
				DWG NO	227B2002AA04	Revision No.	0



Q'TY	DESCRIPTION	MATERIAL	DIMENSION	WEIGHT	PART NO.	REMARK	NO.
1	TERMINAL BLOCK	D4C29C					8
1	SEALING COMPOUND	CU					7
2	GRD. TERMINAL LUG	S45C					6
2	GRD. BOLT	S45C					5
4	T/B + FRAME BOLT	S45C					4
4	T/B + COVER BOLT	S45C					3
1	TERMINAL BOX COVER	FC15					2
1	TERMINAL BOX ASSEMBLY	FC15					1

APPD BY	UNIT	MM	SUBJECT	IEC100-32FR d2G4	CAD PROJ. FILE
CHKD BY	SCALE	N/S	TITLE		XSMOUT\7B1468LC
CHGD BY	PROJEC'N	3-4# (3rd Angle)	MAIN TERMINAL BOX		
DSND BY	DATE	99.2.2			

REF. NO.	7B1469LC	SHEET NO.	0
DWG NO.	227B1469LC	OF	
REVISION		NO.	0

REV	DATE	CONTENTS	REV'D BY	CHK'D BY	APP'D BY
1					
2					
3					
4					



HYUNDAI HEAVY INDUSTRIES CO. LTD.
ELECTRICAL ENGINEERING DIVISION