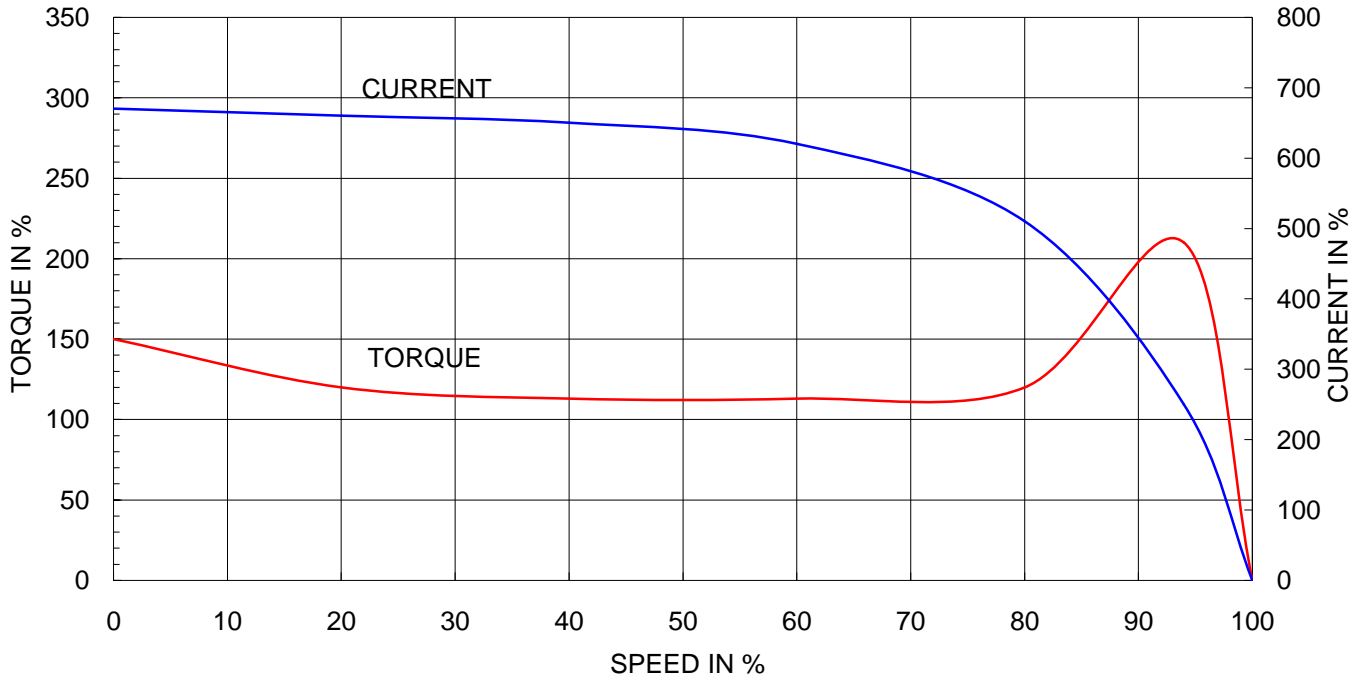


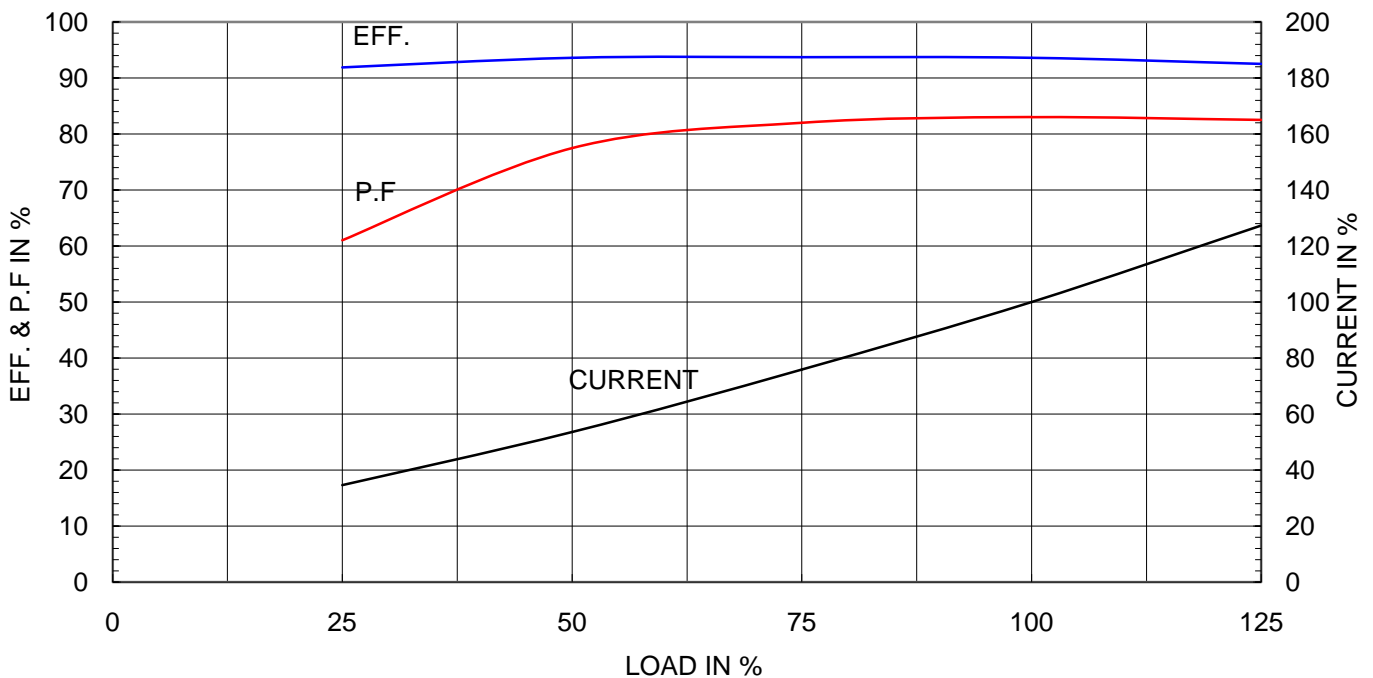
Type	:	HL-XP
Full Load Torque	:	24.7 Kg.m
Motor moment of Inertia (J)	:	0.546 Kg.m ²
Load moment of Inertia (J)	:	26.000 Kg.m ²

45 kW	4 P	60 Hz	
Speed at Full Load :		1775 RPM	
Rated Voltage	440V	380V	220V
Full Load Current	76.0A	88.0A	152.0A

SPEED VS TORQUE & CURRENT CURVE



OUTPUT VS EFF., P.F & CURRENT CURVE



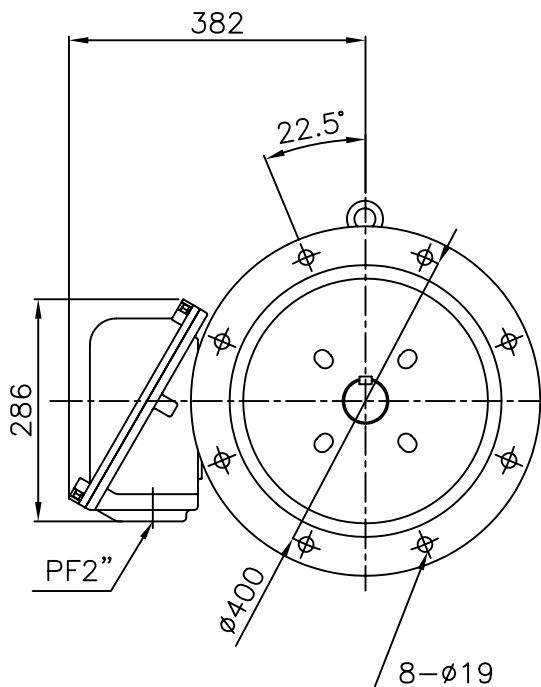
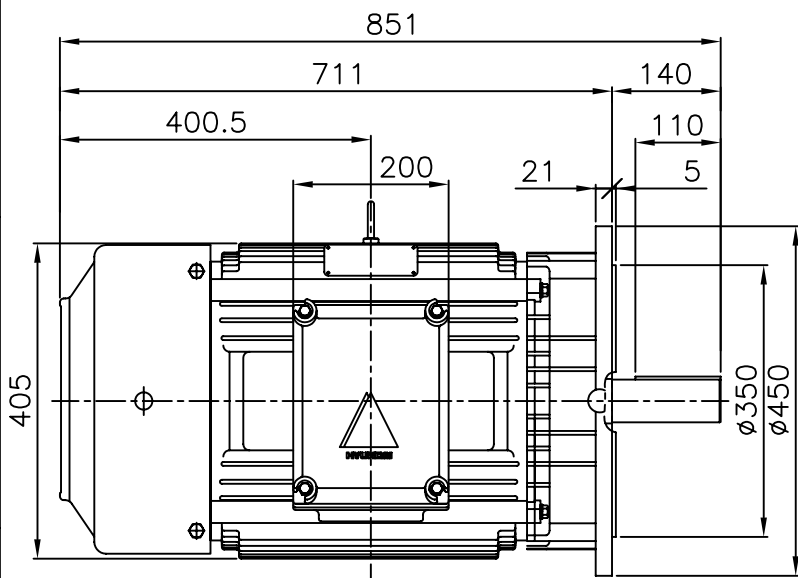


TEFC

THREE PHASE INDUCTION MOTOR

TYPE

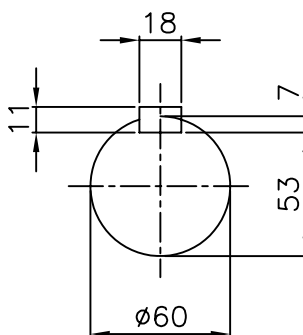
HKS , HK
CAST IRON FRAME



NOTE

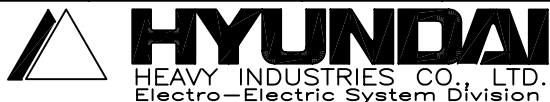
1.TOLERANCE :

FLANGE HOLES	$\phi 19 \begin{matrix} +0.43 \\ -0. \end{matrix}$
RABBET DIAMETER	$\phi 350 \begin{matrix} +0.018 \\ -0.018 \end{matrix}$
SHAFT DIAMETER	$\phi 60 \begin{matrix} +0.030 \\ +0.011 \end{matrix}$
KEYWAY WIDTH	$18 \begin{matrix} +0 \\ -0.043 \end{matrix}$
KEYWAY DEPTH	$53 \begin{matrix} +0 \\ -0.2 \end{matrix}$

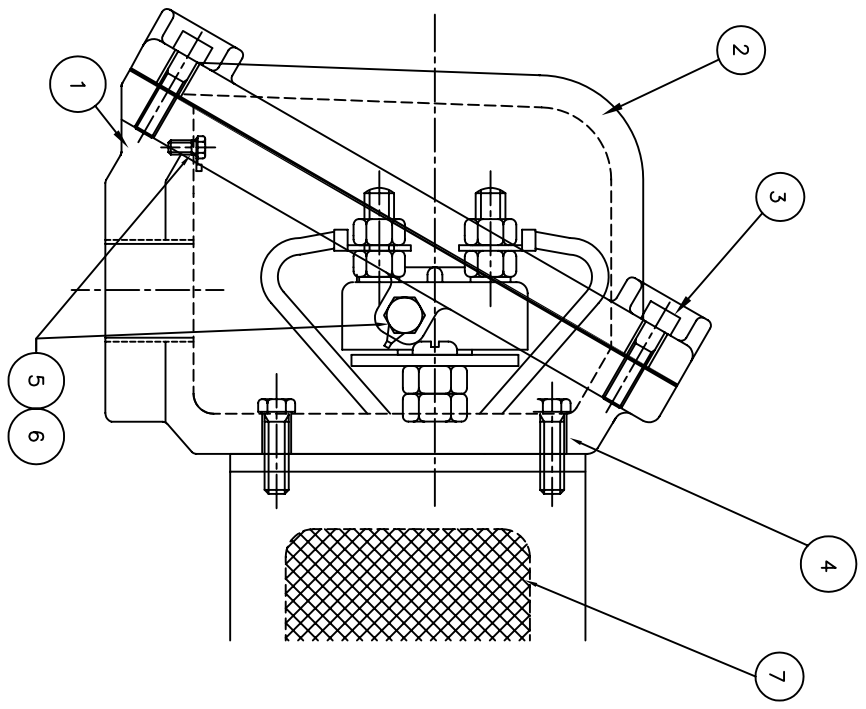
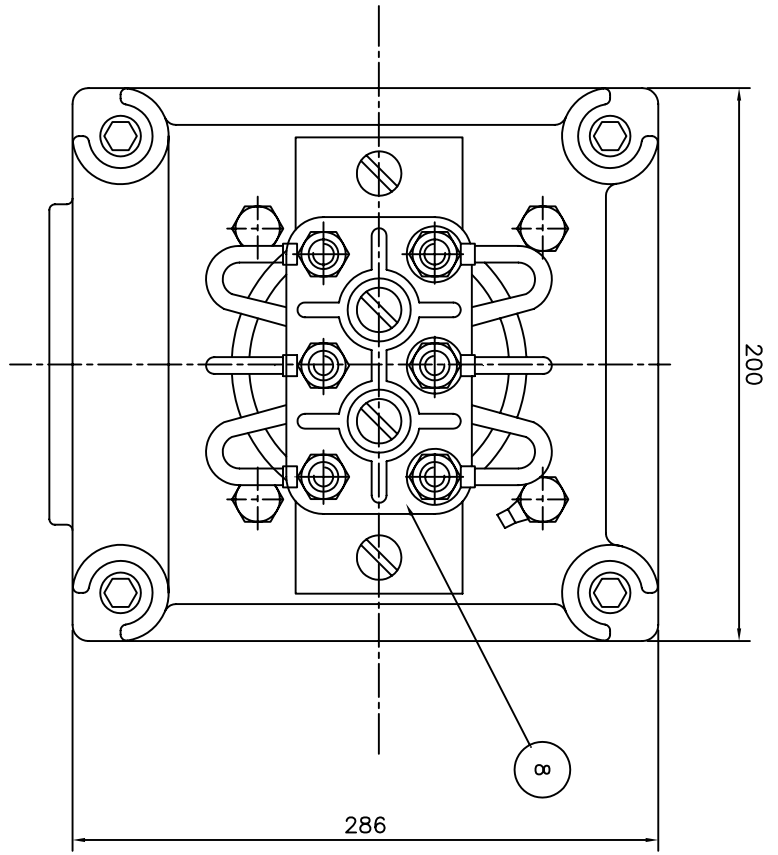


APPD BY	KIM.Y.S	UNIT	mm
CHKD BY	---	SCALE	1/10
CHKD BY	KO.S.H	PROJEC'N	3rd Angle
DSND BY	LEE KWANG SOO	DATE	2001. 3. 9

SUBJECT	XSD KS 200LL 4,6P	CAD PROJ \ FILE	
		XSDNKS\227B1626X110	
TITLE			
OUTLINE			



REF. NO	227B1626X110	Sheet No.	of
DWG NO	227B1626X110	Revision No.	0



Q'TY	DESCRIPTION	MATERIAL	DIMENSION	WEIGHT	PART NO.	REMARK	NO.
1	TERMINAL BLOCK	D4C29C					8
1	SEALING COMPOUND	CU					7
2	GRD. TERMINAL LUG	S45C					6
2	GRD. BOLT	S45C					5
4	T/B + FRAME BOLT	S45C					4
4	T/B + COVER BOLT	S45C					3
1	TERMINAL BOX COVER	FC15					2
1	TERMINAL BOX ASSEMBLY	FC15					1

APPD BY	UNIT	MATERIAL	DIMENSION	WEIGHT	PART NO.	REMARK	NO.
CHKD BY	SCALE	N/S					
CHKD BY	PROJEC'N	3*4# (3rd Angle)					
DSND BY	DATE	99.2.2					
DSND BY	LEE E.J.						
TITLE		MAIN TERMINAL BOX					
REF. NO	7B1470LA		SHEET NO.		0		
DWG NO	227B1470LA		Revision No.		0		

REV	DATE	CONTENTS	REVD BY	CHKD BY	CHKD BY	APPD BY
1						
2						
3						
4						



REF. NO: 7B1470LA
SHEET NO. OF: 0
DWG NO: 227B1470LA
Revision No. 0