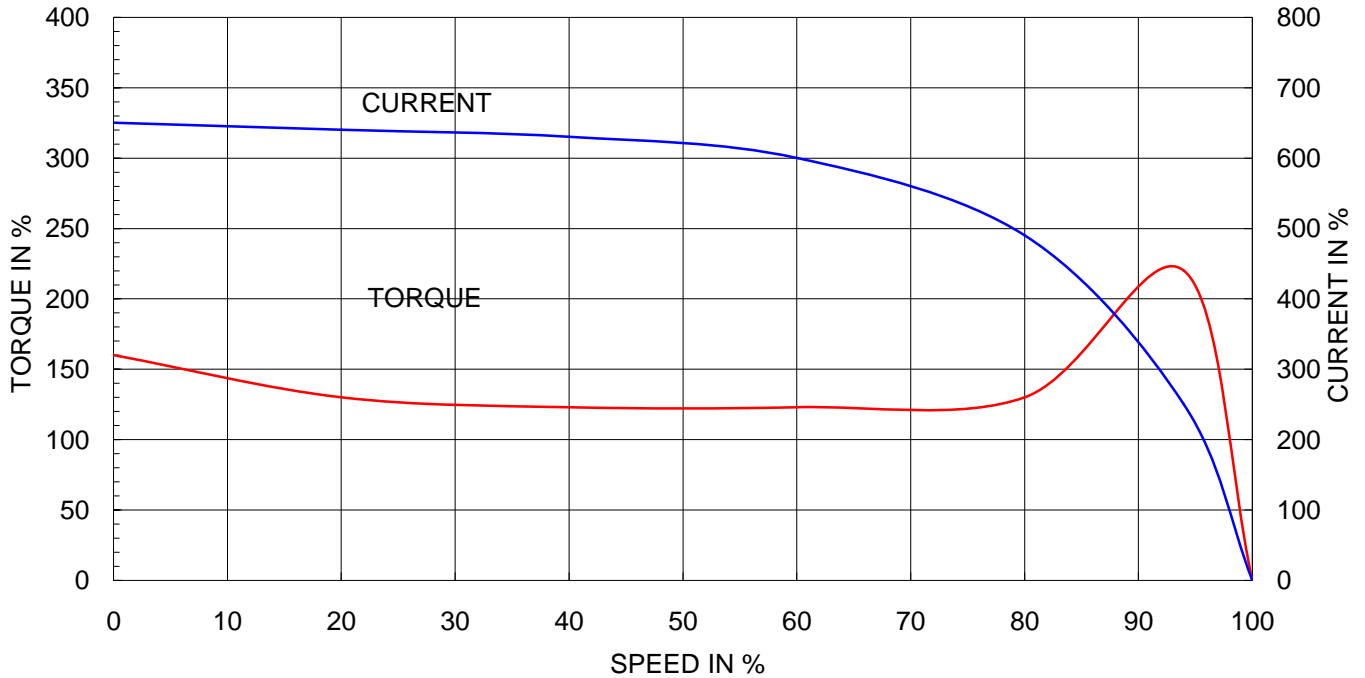


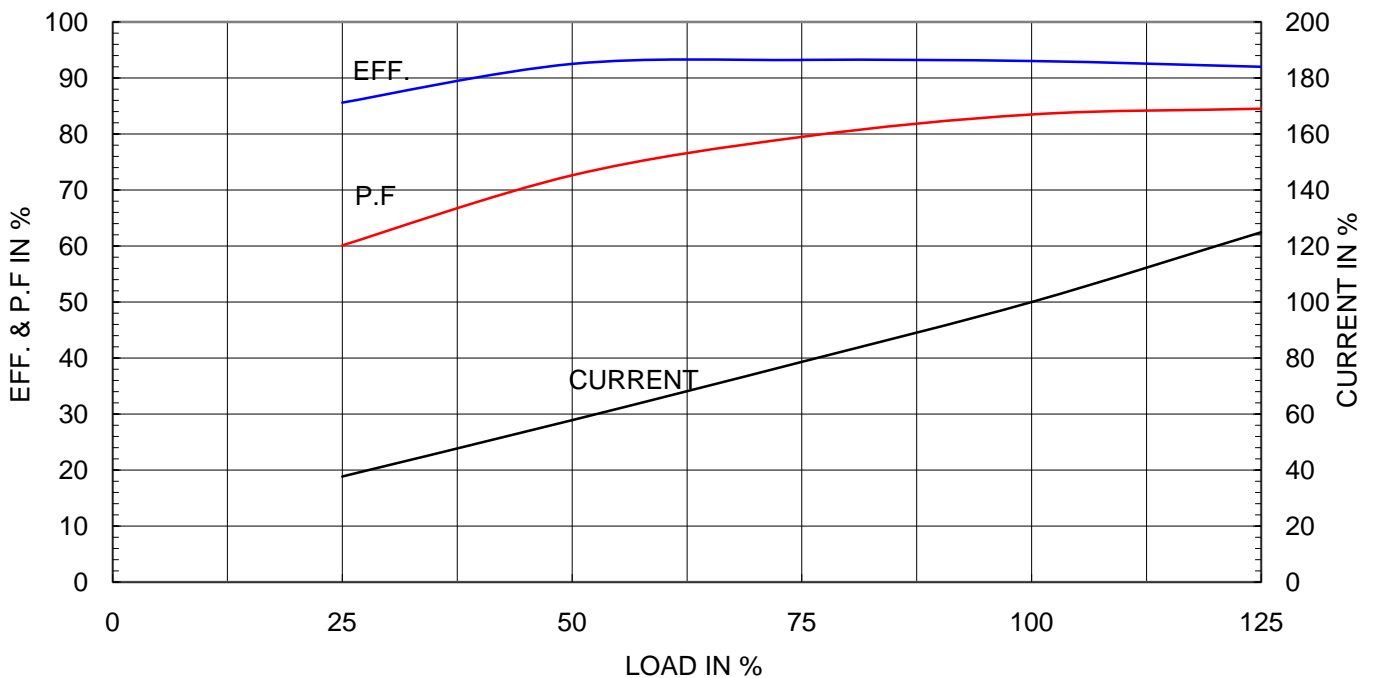
Type	:	HL-XP
Full Load Torque	:	16.4 Kg.m
Motor moment of Inertia (J)	:	0.190 Kg.m ²
Load moment of Inertia (J)	:	17.250 Kg.m ²

30 kW	4 P	60 Hz	
Speed at Full Load :		1780 RPM	
Rated Voltage	440V	380V	220V
Full Load Current	50.7A	58.7A	101.4A

SPEED VS TORQUE & CURRENT CURVE



OUTPUT VS EFF., P.F & CURRENT CURVE





TEFC

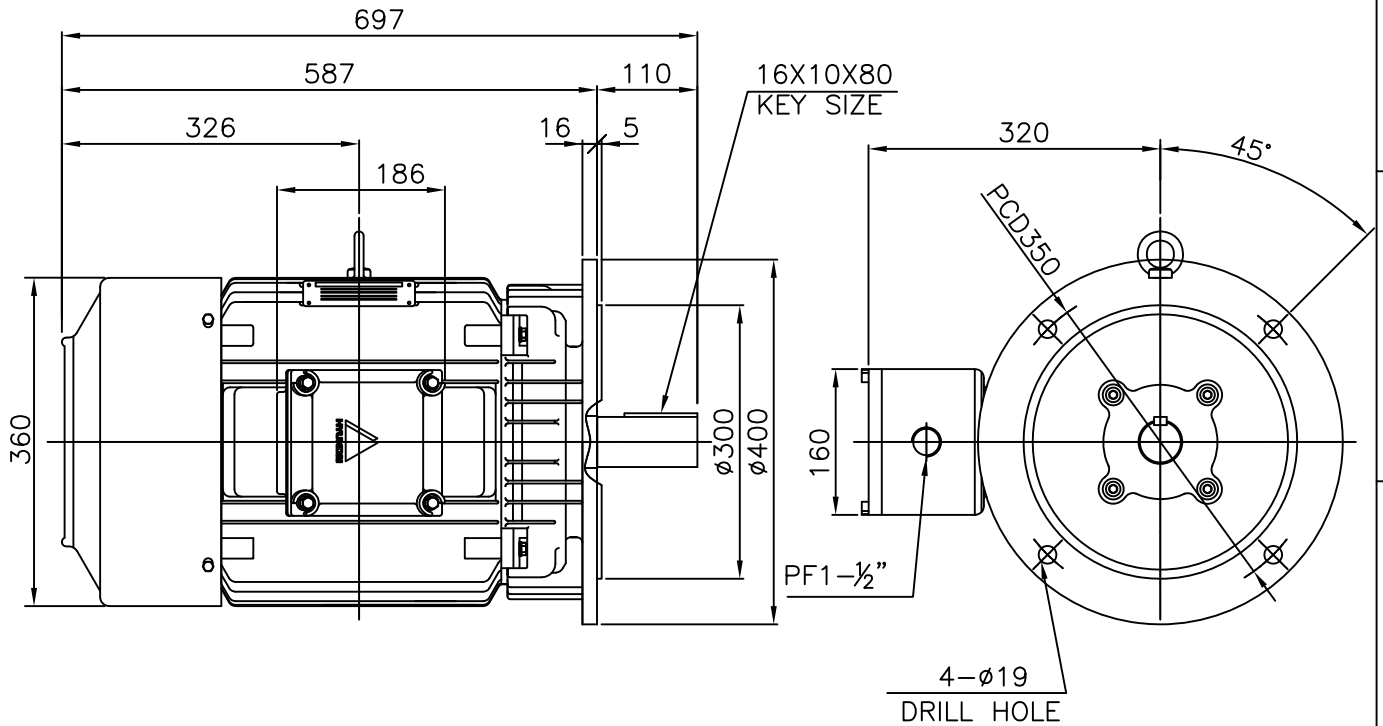
THREE PHASE INDUCTION MOTOR

TYPE

HL, HLS

CAST IRON FRAME

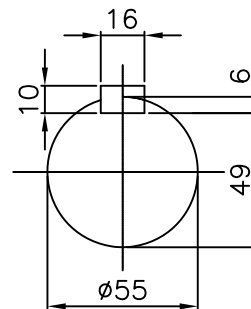
Exd II



NOTE

1.TOLERANCE :

FLANGE HOLES	$\phi 19$	$+0.43$ 0
RABBET DIAMETER	$\phi 300$	$+0.016$ -0.013
SHAFT DIAMETER	$\phi 55$	$+0.030$ $+0.011$
KEYWAY WIDTH	16	0 -0.043
KEYWAY DEPTH	6	$+0.2$ 0



APPD BY	Y. S. KIM	UNIT	mm	SUBJECT	KS 180L	CAD PROJ \ FILE
CHKD BY	K. S. LEE	SCALE	1/8			XSDNKS\B20212A08
CHKD BY	-----	PROJEC'N	3rd Angle	TITLE OUTLINE		
DSND BY	I. K. KIM	DATE	2008.10.22			
				REF. NO	B2022AA08	Sheet No. of
				DWG NO	227B2022AA08	Revision No. 0

