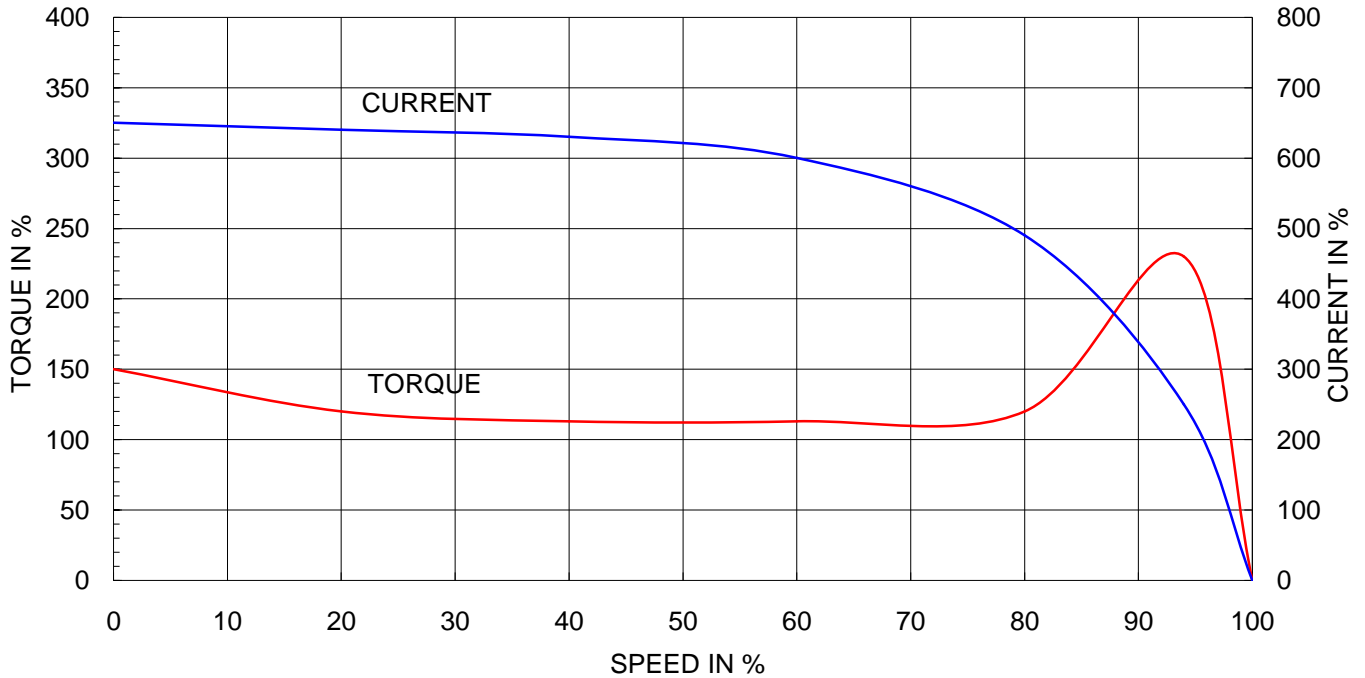




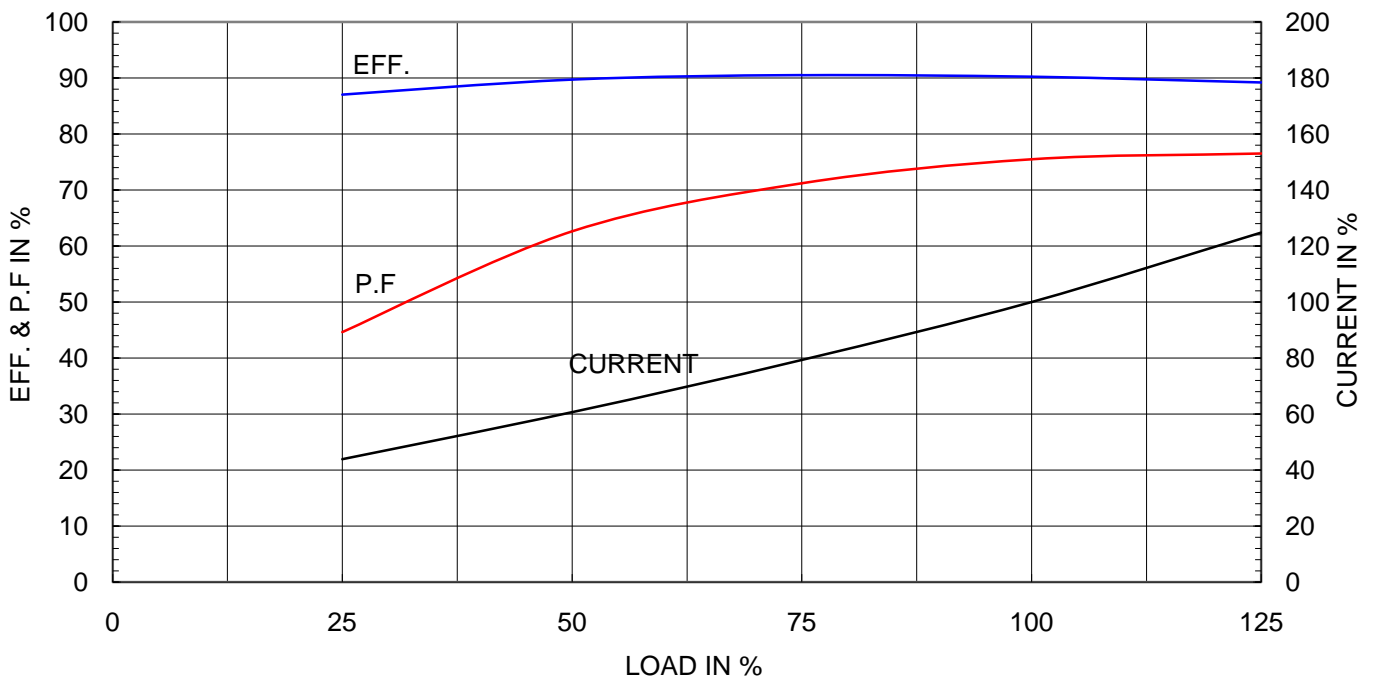
Type	:	HL-XP
Full Load Torque	:	12.4 Kg.m
Motor moment of Inertia (J)	:	0.210 Kg.m <sup>2</sup>
Load moment of Inertia (J)	:	26.500 Kg.m <sup>2</sup>

15 kW	6 P	60 Hz	
Speed at Full Load :		1175 RPM	
Rated Voltage	440V	380V	220V
Full Load Current	28.9A	33.5A	57.8A

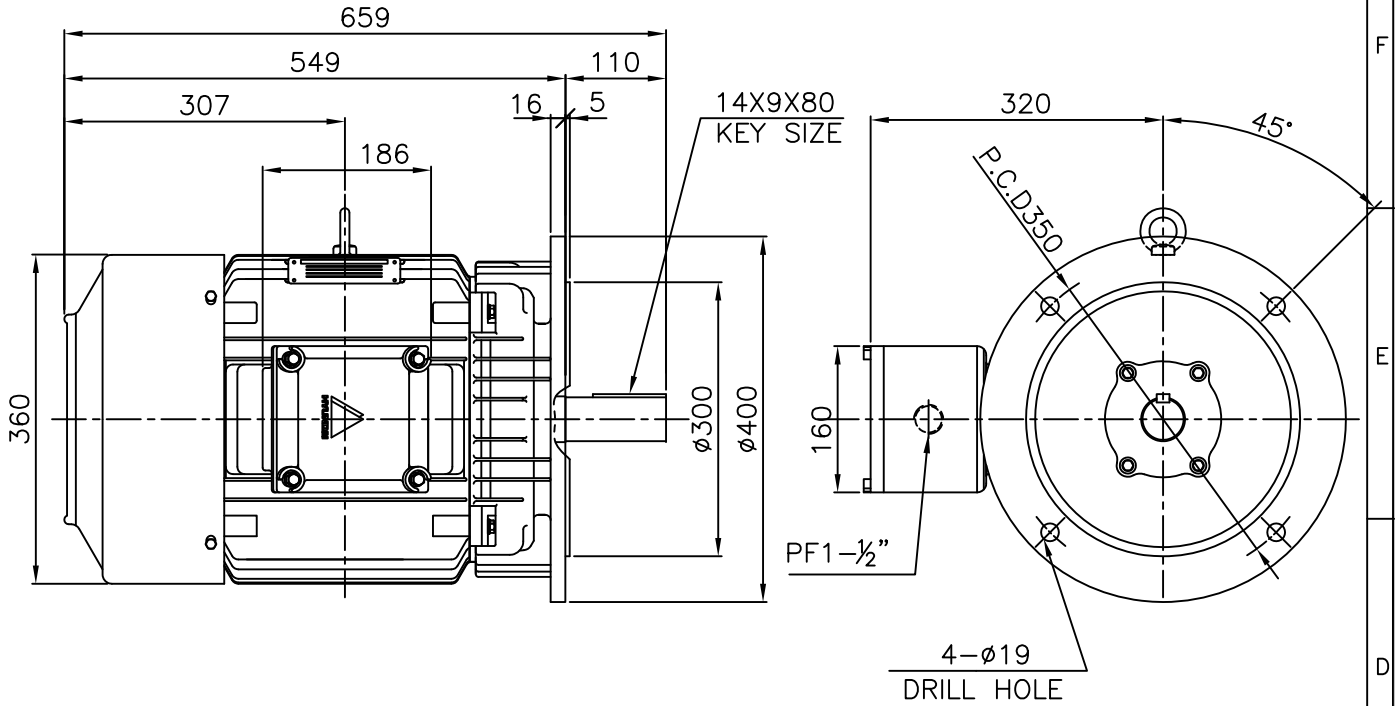
SPEED VS TORQUE & CURRENT CURVE



OUTPUT VS EFF., P.F & CURRENT CURVE



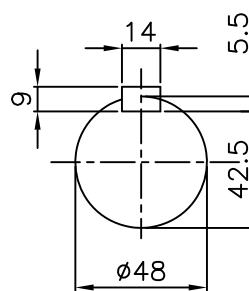
**Exd II**



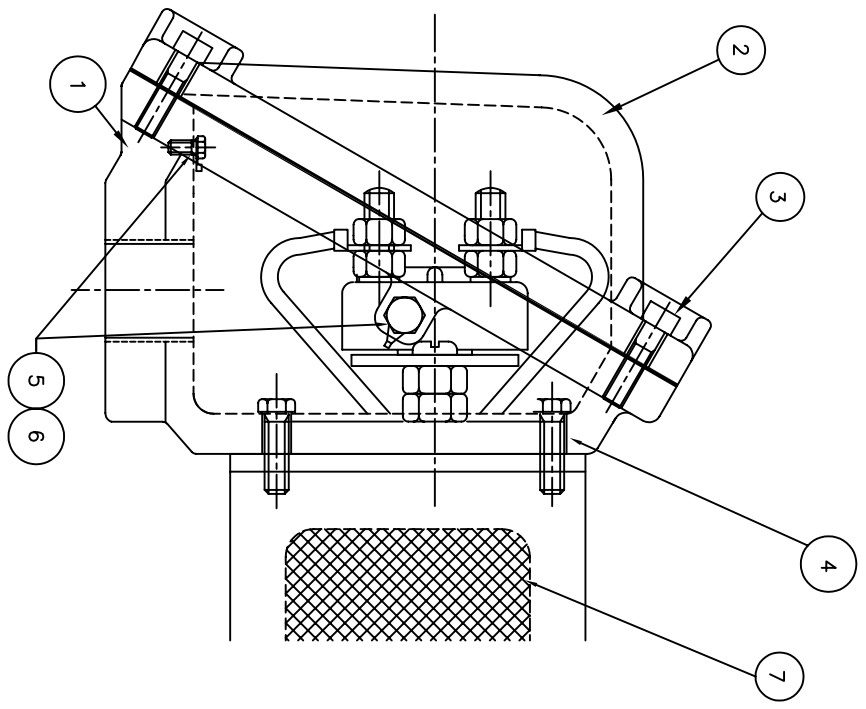
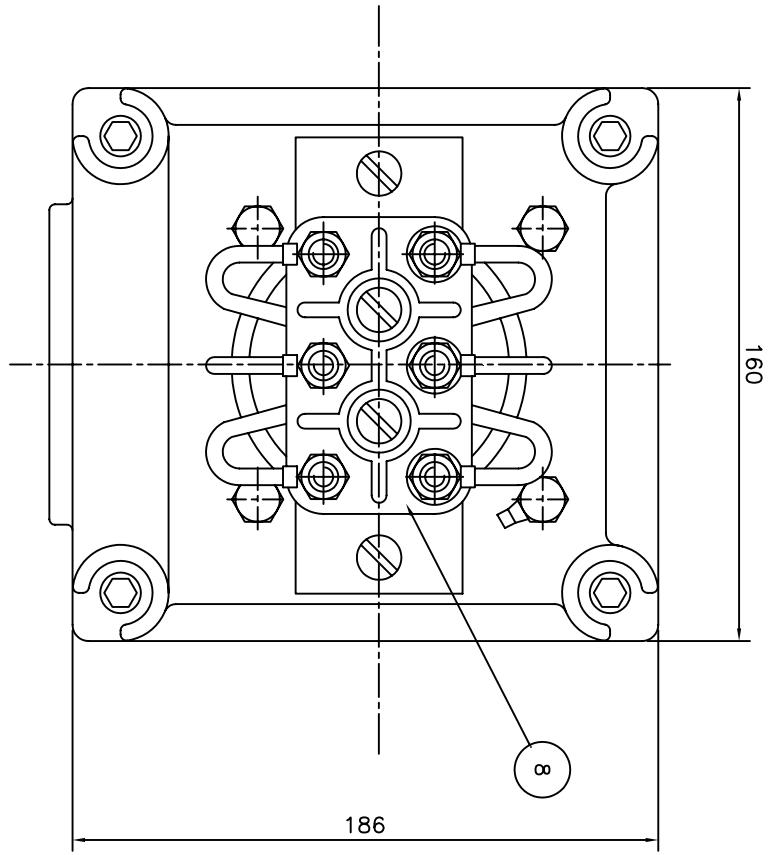
NOTE

1.TOLERANCE :

FLANGE HOLES	ø19	+0.43 0
RABBET DIAMETER	ø300	+0.016 -0.013
SHAFT DIAMETER	ø48	+0.018 +0.002
KEYWAY WIDTH	14	0 -0.043
KEYWAY DEPTH	5.5	+0.2 0



APPD BY	Y. S. KIM	UNIT	mm	SUBJECT	KS 180M	CAD PROJ \ FILE
CHKD BY	K. S. LEE	SCALE	1/8.5			XSDNKS\B2022AA07
CHKD BY	-----	PROJEC'N	3rd Angle	TITLE <b>OUTLINE</b>		
DSND BY	I. K. KIM	DATE	2008.10.22			
				REF. NO	B2022AA07	Sheet No. of
				DWG NO	227B2022AA07	Revision No. 0



Q'TY	DESCRIPTION	MATERIAL	DIMENSION	WEIGHT	PART NO.	REMARK	NO.
1	TERMINAL BLOCK	D4C29C					8
1	SEALING COMPOUND	CU					7
2	GRD TERMINAL LUG	S45C					6
2	GRD. BOLT	S45C					5
4	T/B + FRAME BOLT	S45C					4
4	T/B + COVER BOLT	S45C					3
1	TERMINAL BOX COVER	FC15					2
1	TERMINAL BOX ASSEMBLY	FC15					1

APPD BY	UNIT	MM	SUBJECT	IEC 160/180FR d2G4	CAD PROJ	FILE
CHKD BY	SCALE	N/S			XSMOUT	7B1468LB
CHKD BY	PROJEC'N	3*48 (3rd Angle)				
DSND BY	DATE	99.2.2				

Q'TY	DESCRIPTION	MATERIAL	DIMENSION	WEIGHT	PART NO.	REMARK	NO.
1	TERMINAL BLOCK	D4C29C					8
1	SEALING COMPOUND	CU					7
2	GRD TERMINAL LUG	S45C					6
2	GRD. BOLT	S45C					5
4	T/B + FRAME BOLT	S45C					4
4	T/B + COVER BOLT	S45C					3
1	TERMINAL BOX COVER	FC15					2
1	TERMINAL BOX ASSEMBLY	FC15					1

REV	DATE	CONTENTS	REVD BY	CHKD BY	CHKD BY	APPD BY
1						
2						
3						
4						

APPD BY	UNIT	MM	SUBJECT	IEC 160/180FR d2G4	CAD PROJ	FILE
CHKD BY	SCALE	N/S			XSMOUT	7B1468LB
CHKD BY	PROJEC'N	3*48 (3rd Angle)				
DSND BY	DATE	99.2.2				

Q'TY	DESCRIPTION	MATERIAL	DIMENSION	WEIGHT	PART NO.	REMARK	NO.
1	TERMINAL BLOCK	D4C29C					8
1	SEALING COMPOUND	CU					7
2	GRD TERMINAL LUG	S45C					6
2	GRD. BOLT	S45C					5
4	T/B + FRAME BOLT	S45C					4
4	T/B + COVER BOLT	S45C					3
1	TERMINAL BOX COVER	FC15					2
1	TERMINAL BOX ASSEMBLY	FC15					1

APPD BY	UNIT	MM	SUBJECT	IEC 160/180FR d2G4	CAD PROJ	FILE
CHKD BY	SCALE	N/S			XSMOUT	7B1468LB
CHKD BY	PROJEC'N	3*48 (3rd Angle)				
DSND BY	DATE	99.2.2				

Q'TY	DESCRIPTION	MATERIAL	DIMENSION	WEIGHT	PART NO.	REMARK	NO.
1	TERMINAL BLOCK	D4C29C					8
1	SEALING COMPOUND	CU					7
2	GRD TERMINAL LUG	S45C					6
2	GRD. BOLT	S45C					5
4	T/B + FRAME BOLT	S45C					4
4	T/B + COVER BOLT	S45C					3
1	TERMINAL BOX COVER	FC15					2
1	TERMINAL BOX ASSEMBLY	FC15					1

APPD BY	UNIT	MM	SUBJECT	IEC 160/180FR d2G4	CAD PROJ	FILE
CHKD BY	SCALE	N/S			XSMOUT	7B1468LB
CHKD BY	PROJEC'N	3*48 (3rd Angle)				
DSND BY	DATE	99.2.2				

Q'TY	DESCRIPTION	MATERIAL	DIMENSION	WEIGHT	PART NO.	REMARK	NO.
1	TERMINAL BLOCK	D4C29C					8
1	SEALING COMPOUND	CU					7
2	GRD TERMINAL LUG	S45C					6
2	GRD. BOLT	S45C					5
4	T/B + FRAME BOLT	S45C					4
4	T/B + COVER BOLT	S45C					3
1	TERMINAL BOX COVER	FC15					2
1	TERMINAL BOX ASSEMBLY	FC15					1

APPD BY	UNIT	MM	SUBJECT	IEC 160/180FR d2G4	CAD PROJ	FILE
CHKD BY	SCALE	N/S			XSMOUT	7B1468LB
CHKD BY	PROJEC'N	3*48 (3rd Angle)				
DSND BY	DATE	99.2.2				

Q'TY	DESCRIPTION	MATERIAL	DIMENSION	WEIGHT	PART NO.	REMARK	NO.
1	TERMINAL BLOCK	D4C29C					8
1	SEALING COMPOUND	CU					7
2	GRD TERMINAL LUG	S45C					6
2	GRD. BOLT	S45C					5
4	T/B + FRAME BOLT	S45C					4
4	T/B + COVER BOLT	S45C					3
1	TERMINAL BOX COVER	FC15					2
1	TERMINAL BOX ASSEMBLY	FC15					1

APPD BY	UNIT	MM	SUBJECT	IEC 160/180FR d2G4	CAD PROJ	FILE
CHKD BY	SCALE	N/S			XSMOUT	7B1468LB
CHKD BY	PROJEC'N	3*48 (3rd Angle)				
DSND BY	DATE	99.2.2				

Q'TY	DESCRIPTION	MATERIAL	DIMENSION	WEIGHT	PART NO.	REMARK	NO.
1	TERMINAL BLOCK	D4C29C					8
1	SEALING COMPOUND	CU					7
2	GRD TERMINAL LUG	S45C					6
2	GRD. BOLT	S45C					5
4	T/B + FRAME BOLT	S45C					4
4	T/B + COVER BOLT	S45C					3
1	TERMINAL BOX COVER	FC15					2
1	TERMINAL BOX ASSEMBLY	FC15					1

APPD BY	UNIT	MM	SUBJECT	IEC 160/180FR d2G4	CAD PROJ	FILE
CHKD BY	SCALE	N/S			XSMOUT	7B1468LB
CHKD BY	PROJEC'N	3*48 (3rd Angle)				
DSND BY	DATE	99.2.2				

Q'TY	DESCRIPTION	MATERIAL	DIMENSION	WEIGHT	PART NO.	REMARK	NO.
1	TERMINAL BLOCK	D4C29C					8
1	SEALING COMPOUND	CU					7
2	GRD TERMINAL LUG	S45C					6
2	GRD. BOLT	S45C					5
4	T/B + FRAME BOLT	S45C					4
4	T/B + COVER BOLT	S45C					3
1	TERMINAL BOX COVER	FC15					2
1	TERMINAL BOX ASSEMBLY	FC15					1

APPD BY	UNIT	MM	SUBJECT	IEC 160/180FR d2G4	CAD PROJ	FILE
CHKD BY	SCALE	N/S			XSMOUT	7B1468LB
CHKD BY	PROJEC'N	3*48 (3rd Angle)				
DSND BY	DATE	99.2.2				

Q'TY	DESCRIPTION	MATERIAL	DIMENSION	WEIGHT	PART NO.	REMARK	NO.
1	TERMINAL BLOCK	D4C29C					8
1	SEALING COMPOUND	CU					7
2	GRD TERMINAL LUG	S45C					6
2	GRD. BOLT	S45C					5
4	T/B + FRAME BOLT	S45C					4
4	T/B + COVER BOLT	S45C					3
1	TERMINAL BOX COVER	FC15					2
1	TERMINAL BOX ASSEMBLY	FC15					1

APPD BY	UNIT	MM	SUBJECT	IEC 160/180FR d2G4	CAD PROJ	FILE
CHKD BY	SCALE	N/S			XSMOUT	7B1468LB
CHKD BY	PROJEC'N	3*48 (3rd Angle)				
DSND BY	DATE	99.2.2				

Q'TY	DESCRIPTION	MATERIAL	DIMENSION	WEIGHT	PART NO.	REMARK	NO.
1	TERMINAL BLOCK	D4C29C					8
1	SEALING COMPOUND	CU					7
2	GRD TERMINAL LUG	S45C					6
2	GRD. BOLT	S45C					5
4	T/B + FRAME BOLT	S45C					4
4	T/B + COVER BOLT	S45C					3
1	TERMINAL BOX COVER	FC15					2
1	TERMINAL BOX ASSEMBLY	FC15					1

APPD BY	UNIT	MM	SUBJECT	IEC 160/180FR d2G4	CAD PROJ	FILE
CHKD BY	SCALE	N/S			XSMOUT	7B1468LB
CHKD BY	PROJEC'N	3*48 (3rd Angle)				
DSND BY	DATE	99.2.2				

Q'TY	DESCRIPTION	MATERIAL	DIMENSION	WEIGHT	PART NO.	REMARK	NO.
1	TERMINAL BLOCK	D4C29C					8
1	SEALING COMPOUND	CU					7
2	GRD TERMINAL LUG	S45C					6
2	GRD. BOLT	S45C					5
4	T/B + FRAME BOLT	S45C					4
4	T/B + COVER BOLT	S45C					3
1	TERMINAL BOX COVER	FC15					2
1	TERMINAL BOX ASSEMBLY	FC15					1

APPD BY	UNIT	MM	SUBJECT	IEC 160/180FR d2G4	CAD PROJ	FILE
CHKD BY	SCALE	N/S			XSMOUT	7B1468LB
CHKD BY	PROJEC'N	3*48 (3rd Angle)				
DSND BY	DATE	99.2.2				

Q'TY	DESCRIPTION	MATERIAL	DIMENSION	WEIGHT	PART NO.	REMARK	NO.
1	TERMINAL BLOCK	D4C29C					8
1	SEALING COMPOUND	CU					7
2	GRD TERMINAL LUG	S45C					6
2	GRD. BOLT	S45C					5
4	T/B + FRAME BOLT	S45C					4
4	T/B + COVER BOLT	S45C					3
1	TERMINAL BOX COVER	FC15					2
1	TERMINAL BOX ASSEMBLY	FC15					1

APPD BY	UNIT	MM	SUBJECT	IEC 160/180FR d2G4	CAD PROJ	FILE
CHKD BY	SCALE	N/S			XSMOUT	7B1468LB
CHKD BY	PROJEC'N	3*48 (3rd Angle)				
DSND BY	DATE	99.2.2				

Q'TY	DESCRIPTION	MATERIAL	DIMENSION	WEIGHT	PART NO.	REMARK	NO.
1	TERMINAL BLOCK	D4C29C					8
1	SEALING COMPOUND	CU					7
2	GRD TERMINAL LUG	S45C					6
2	GRD. BOLT	S45C					5
4	T/B + FRAME BOLT	S45C					4
4	T/B + COVER BOLT	S45C					3
1	TERMINAL BOX COVER	FC15					2
1	TERMINAL BOX ASSEMBLY	FC15					1

APPD BY	UNIT	MM	SUBJECT	IEC 160/180FR d2G
---------	------	----	---------	-------------------