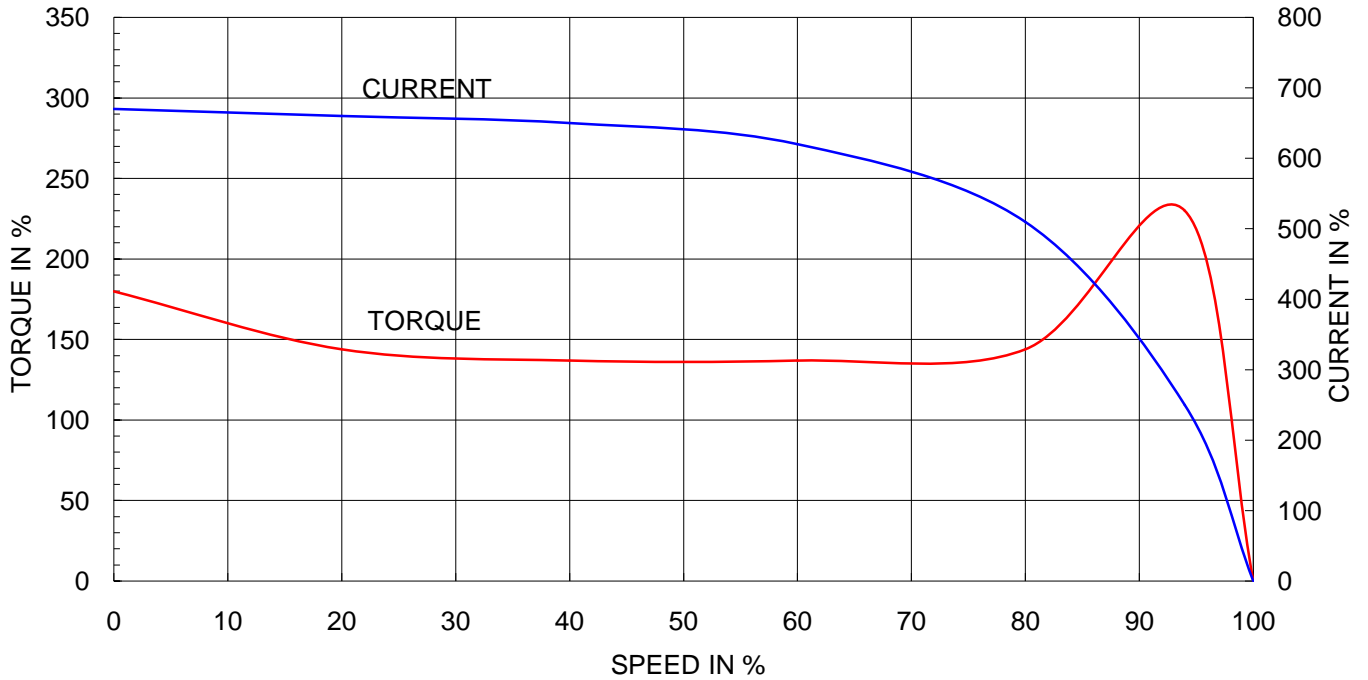


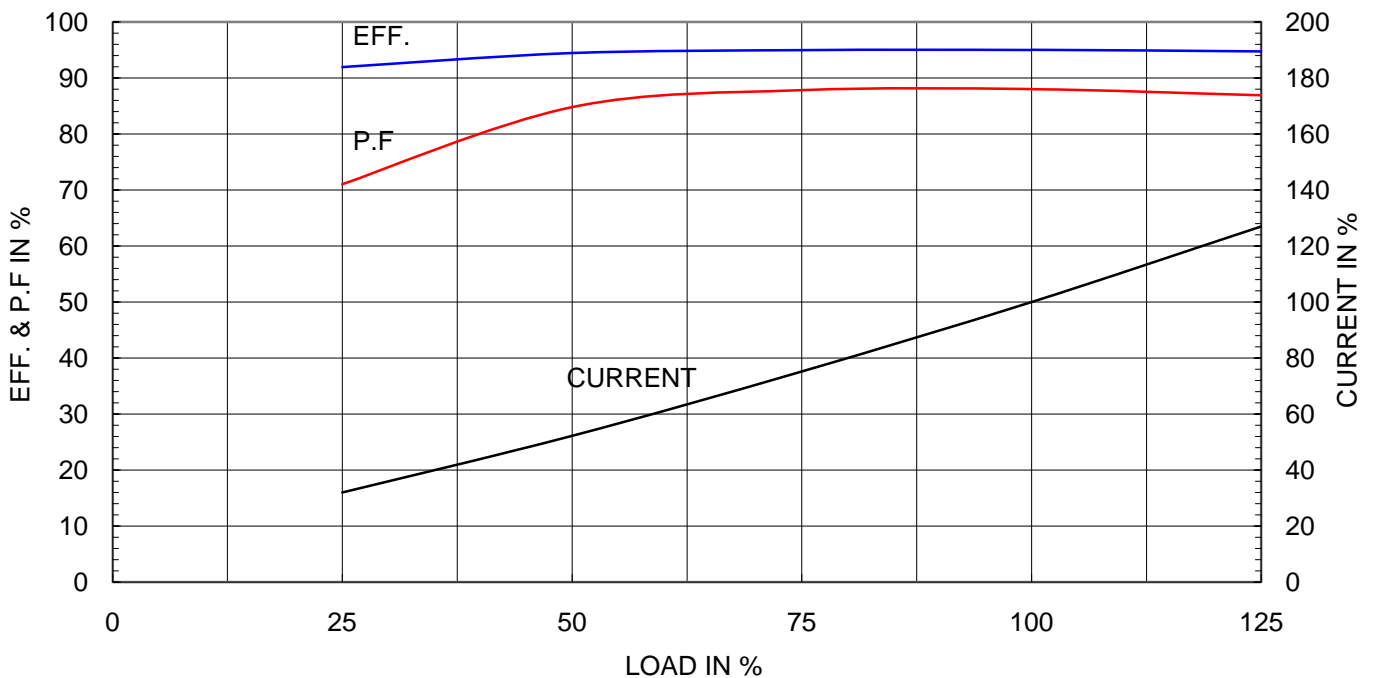
Type	: GHB280M
Full Load Torque	: 72.0 Kg.m
Motor moment of Inertia (J)	: 3.415 Kg.m ²
Load moment of Inertia (J)	: 111.825 Kg.m ²

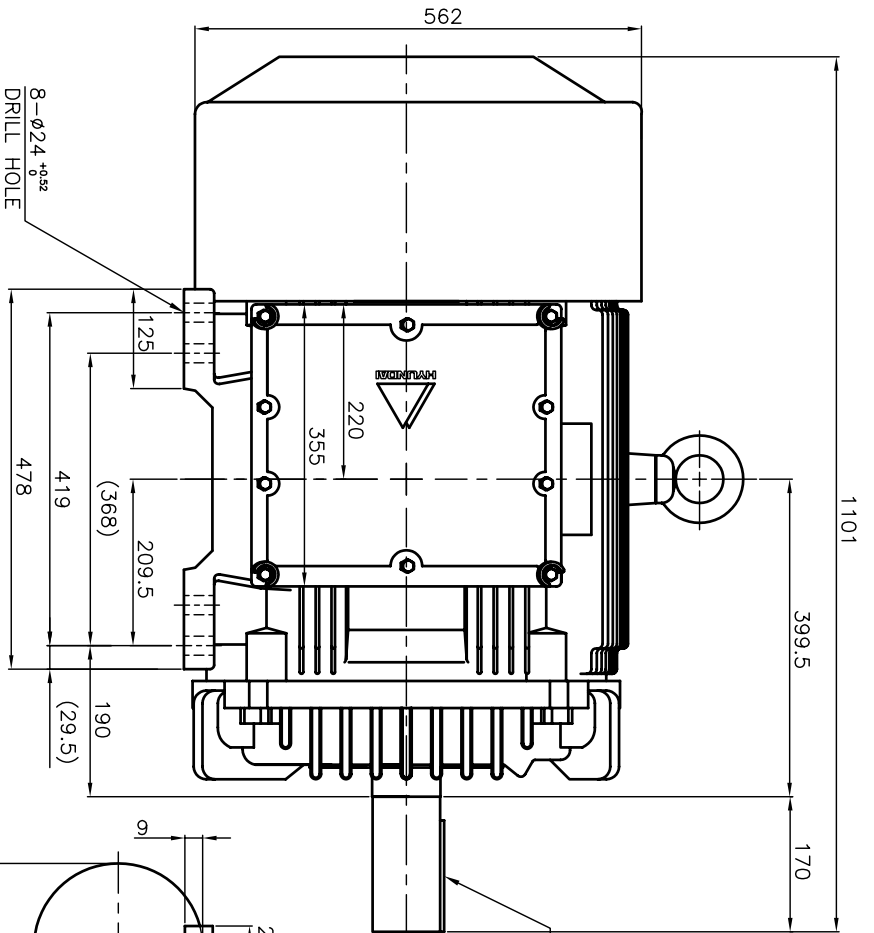
132 kW	4 P	60 Hz	
Speed at Full Load : 1785 RPM			
Rated Voltage	440V	380V	220V
Full Load Current	207.2A	239.9A	414.4A

SPEED VS TORQUE & CURRENT CURVE



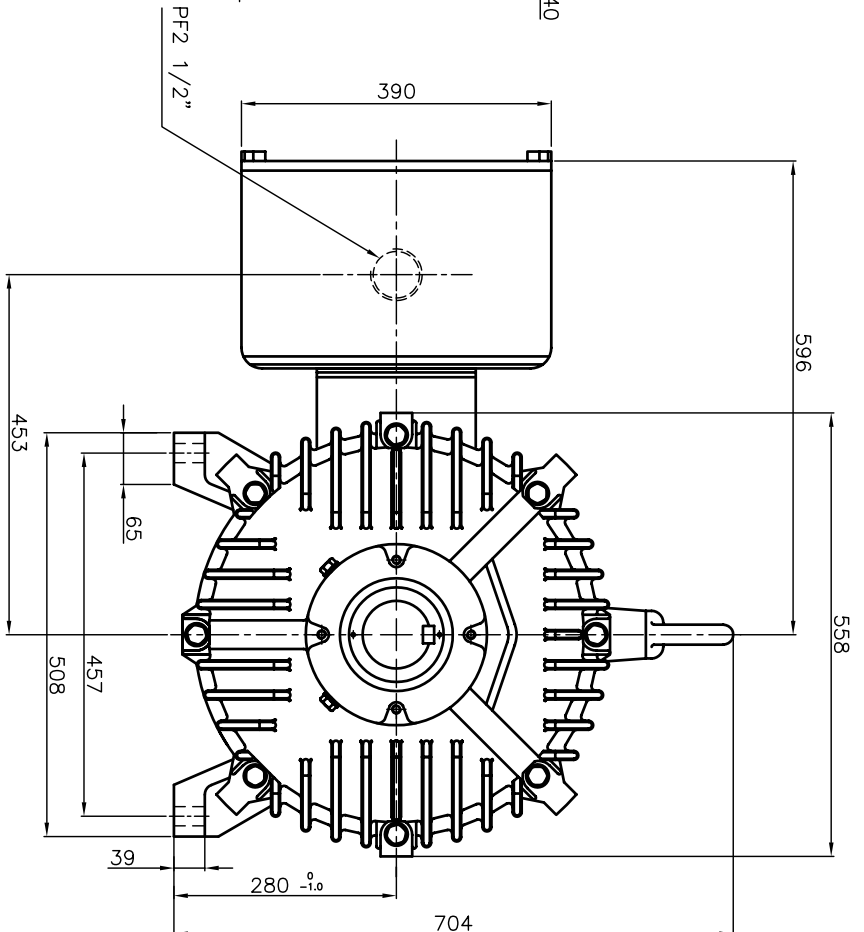
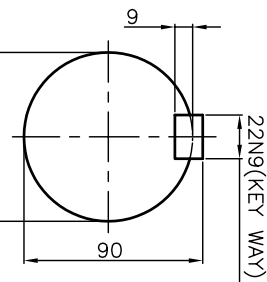
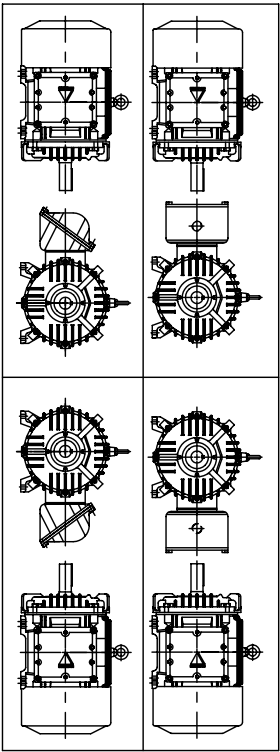
OUTPUT VS EFF., P.F & CURRENT CURVE





* TERMINAL BOX LOCATION

VIEW "A"
SCALE 2.5/1



Ex d IIB T4
(EXPLOSION CONSTRUCTION & IGNITION GROU)

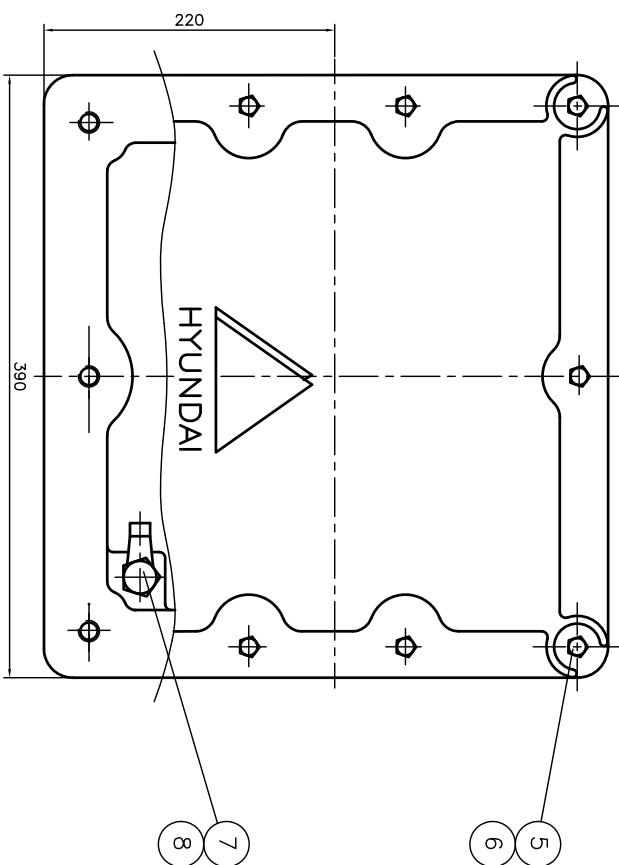
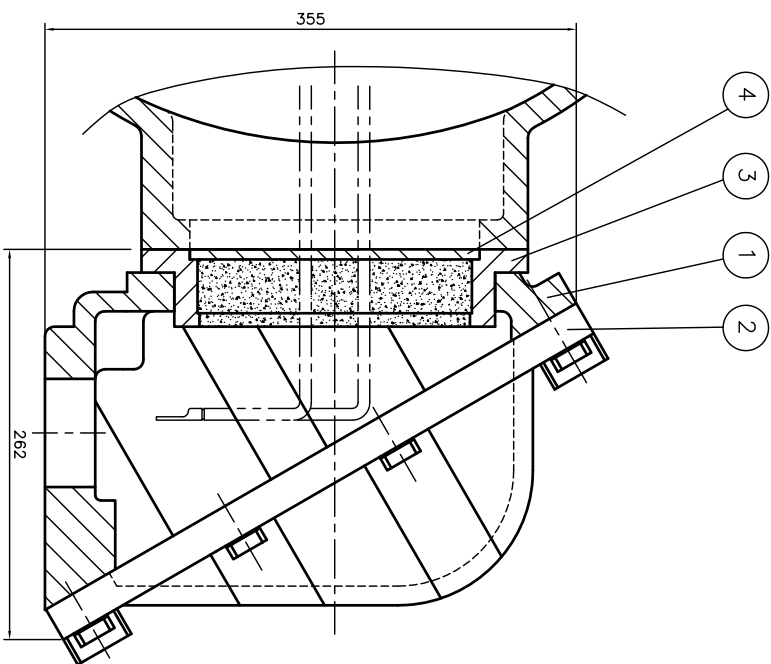
▽	50S
▽▽	12.5S
▽▽▽	3.2S
▽▽▽▽	0.4S

REV	DATE	CONTENTS	REV BY	CHKD BY	CHKD BY	APPD BY
1						
2						
3						
4						
5						

일반 가공 공차	±0.1	일반 재료 공차	±0.5
1-4	±0.1	6-30	±0.5
4-18	±0.2	30-120	±0.8
18-63	±0.3	120-315	±1.2
63-250	±0.5	315-1000	±2.0
	±0.8	1000-	±3.0

Q'TY	DESCRIPTION	MATERIAL	DIMENSION	WEIGHT	PART NO.	REMARK	NO.
APPD BY	강경중		UNIT			SUBJECT	CAD PROU FILE
CHKD BY	김옥진		SCALE	1/7		KS FR.280M, PTYPE, EP	MMSTD/MTR/GJ8MAP02
CHKD BY	김종선		PROJEC'N	3rd Angle		TITLE	OUTLINE DIMENSION
DSND BY	김형규		DATE	2005.06.07		THREE-PHASE INDUCTION MOTOR	
REF. NO			DWG NO	GJ8MAP-02		Sheet No. of	
						Revision No.	





QTY	DESCRIPTION	MATERIAL	DIMENSION	WEIGHT	PART NO.	REMARK	NO.
1	HEX. BOLT	BRONZE	M10				8
1	EARTH TERMINAL LUG	STD					7
10	SPRING WASHER	SUP-3					6
10	HEX. BOLT	S4SC	M12				5
1	GUIDE PLATE	E.G.P					4
1	ADAPTER	FC25					3
1	TERMINAL BOX COVER	FC25					2
1	TERMINAL BOX BODY	FC25					1

APRD BY	UNIT	MM	SUBJECT	H/LAB FR-250,280 (2234)	GO PROJ & FILE #
Q.P. CHK	SCALE	NONE	TITLE	TERMINAL BOX ASS'Y	F-300-4 / 300007
CHGD BY	PROJECN	3.24(3rd Angle)			
DSND BY	KIM JONG SEON	DATE	98.10.30		
				REF. NO	
				DWG NO	3M-036962
				Sheet No.	
				of	
				Revision No.	

REV	DATE	CONTENTS	REQD BY	CHKD BY	APRD BY
1					
2					
3					
4					

