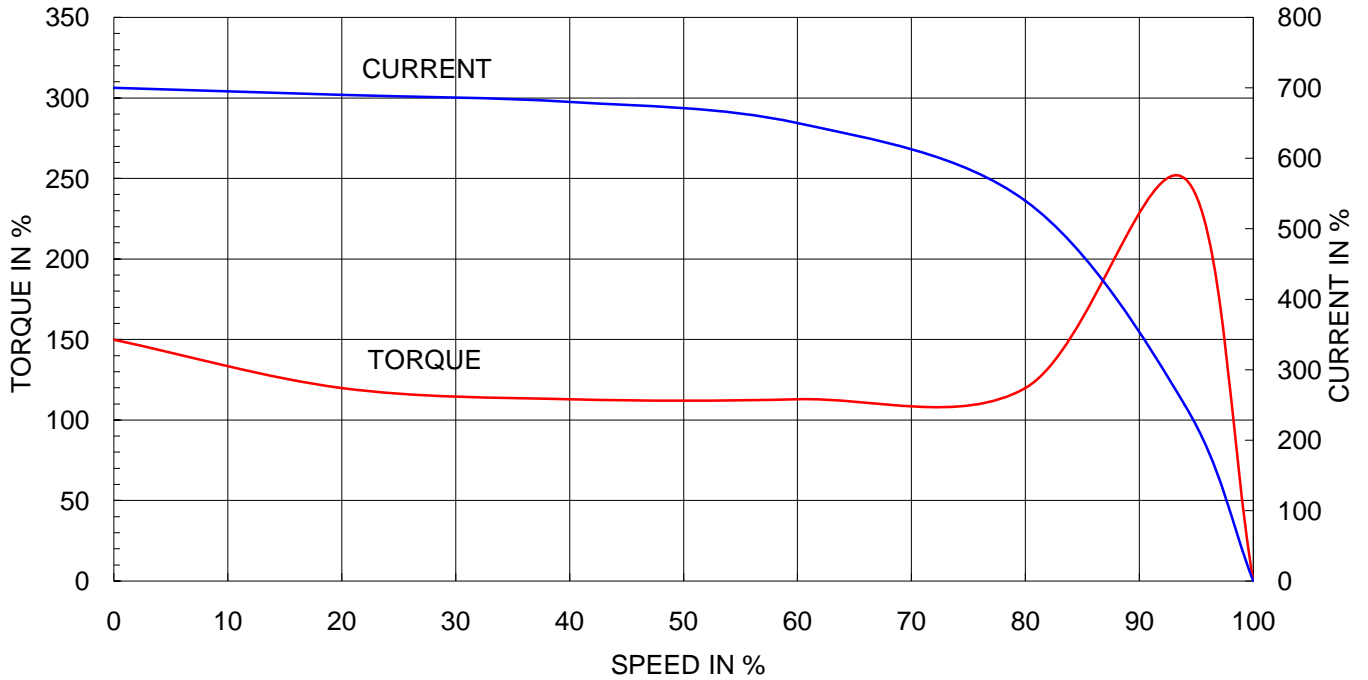


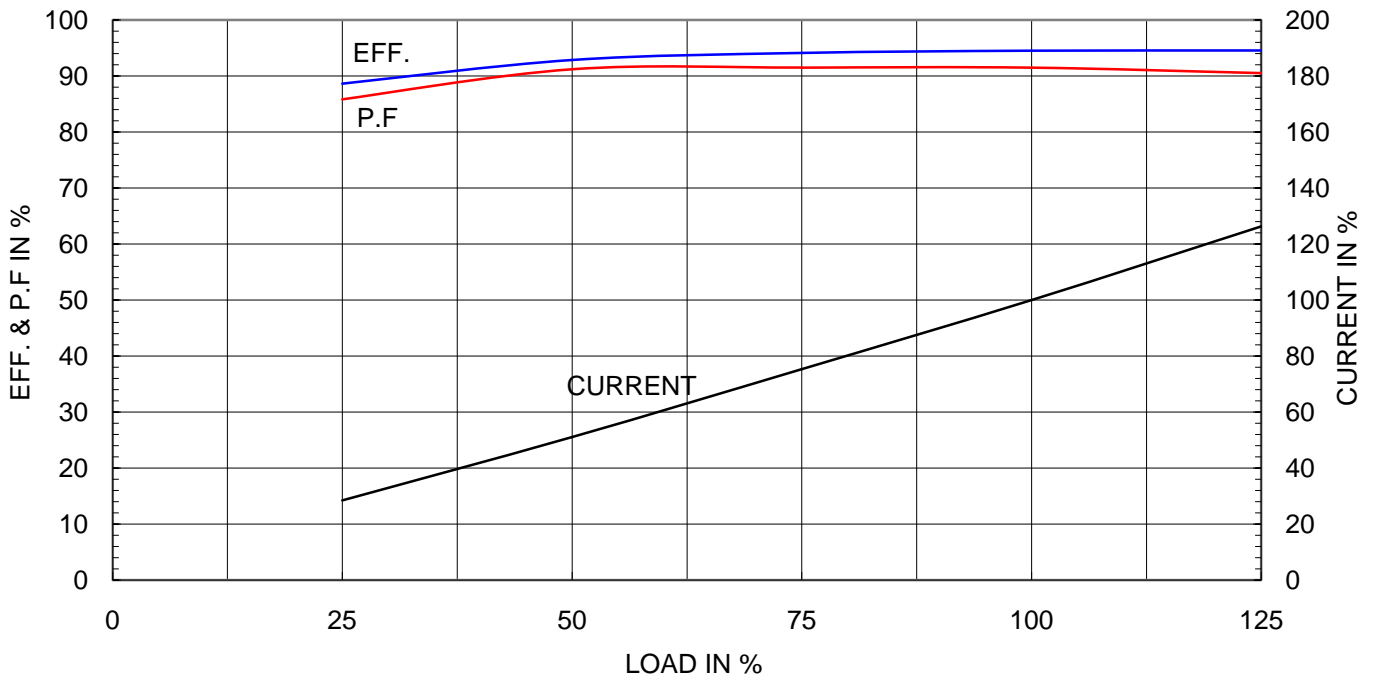
Type	: GHB280M
Full Load Torque	: 36.0 Kg.m
Motor moment of Inertia (J)	: 2.400 Kg.m ²
Load moment of Inertia (J)	: 14.375 Kg.m ²

132 kW	2 P	60 Hz	
Speed at Full Load : 3570 RPM			
Rated Voltage	440V	380V	220V
Full Load Current	200.3A	231.9A	400.6A

SPEED VS TORQUE & CURRENT CURVE



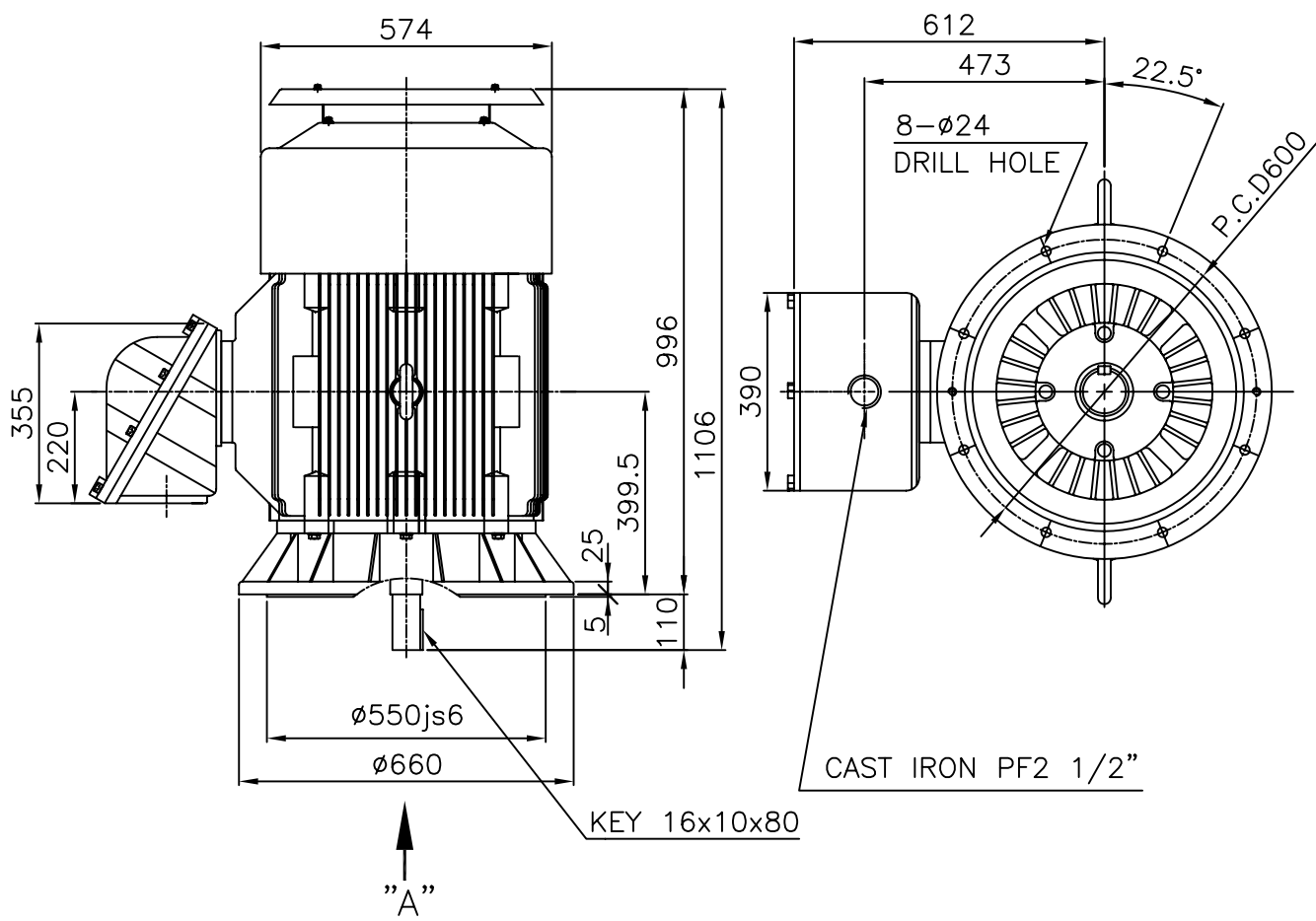
OUTPUT VS EFF., P.F & CURRENT CURVE



본 도면은 현대중공업(주) 재산이므로
허가없이 복사할 수 없습니다 (취급유의)

THIS DRAWING IS PROPRIETARY TO HHI. NO PART OF THIS DRAWING
MAYBE REPRODUCED WITHOUT THE PERMISSION OF HHI.

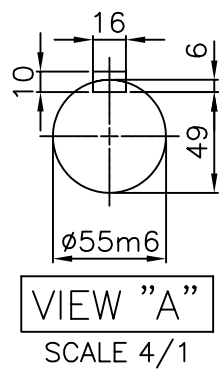
		<h1>TEFC</h1>		TYPE	GHB280M
THREE PHASE INDUCTION MOTOR					CAST IRON FRAME



NOTE

1. TOLERANCE :

RABBET DIAMETER	ø550 ±0.022
SHAFT DIAMETER	ø55 +0.030 / +0.011
KEYWAY WIDTH	16 -0.018 / -0.061
KEYWAY DEPTH	6 +0.2 / 0
KEY WIDTH	16 0 / -0.043
KEY HEIGHT	10 0 / -0.090



2. Ex d IIB T4 : (EXPLOSION CONSTRUCTION & IGNITION GROUP)

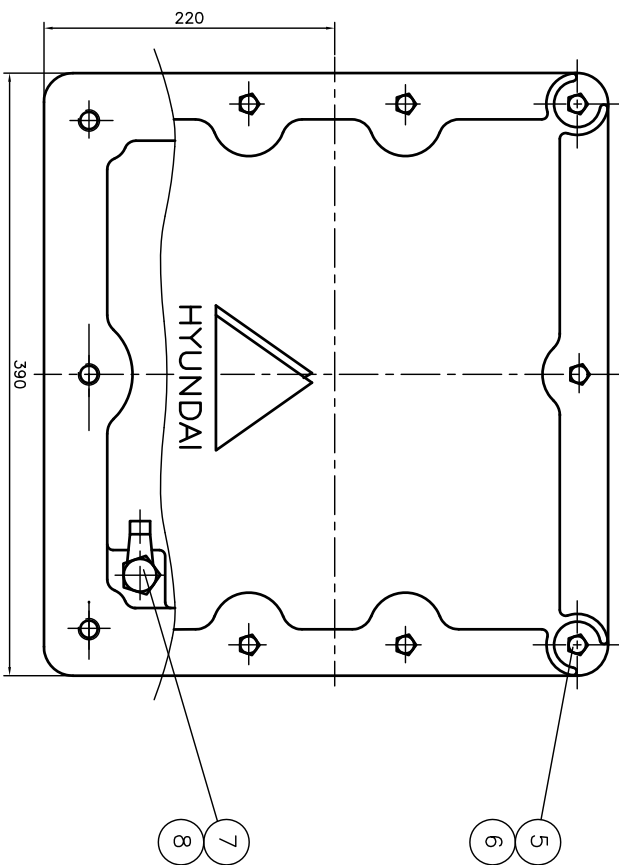
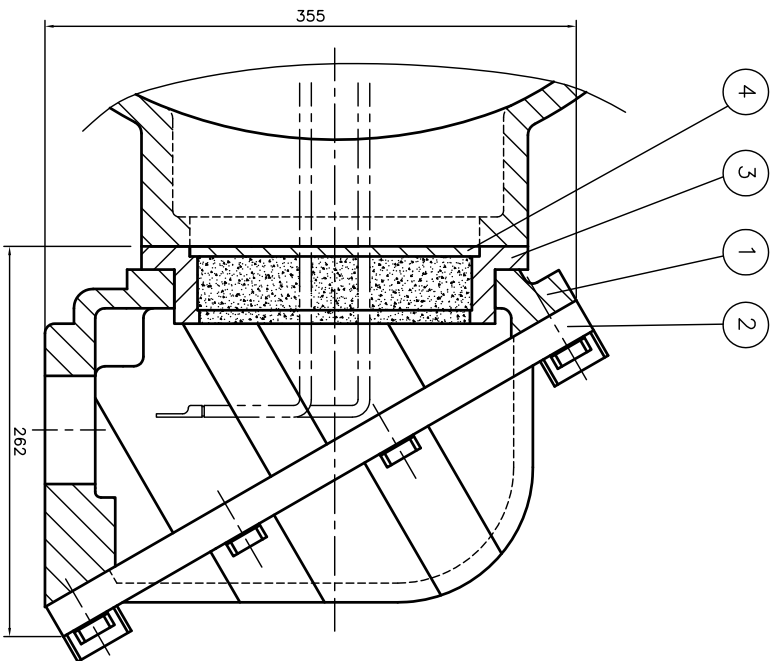
TEFC STANDARD

CAD PROJ \ FILE
MMSTDMTR/GJ80PP01

APPD BY	KIM Y.S	UNIT	mm
CHKD BY	 	SCALE	1/15
CHKD BY	 	PROJEC'N	3rd Angle
DSND BY	NOH DUK LEE	DATE	2008.07.14

SUBJECT	KS Fr.280 d2G4	
TITLE	OUTLINE THREE-PHASE INDUCTION MOTOR	

REF. NO	L3-SERIES	Sheet No. of
DWG NO	GJ80PP01	Revision No. 0



QTY	DESCRIPTION	MATERIAL	DIMENSION	WEIGHT	PART NO.	REMARK	NO.
1	HEX. BOLT	BRONZE	M10				8
1	EARTH TERMINAL LUG	STD					7
10	SPRING WASHER	SUP-3					6
10	HEX. BOLT	S45C	M12				5
1	GUIDE PLATE	E.C.P					4
1	ADAPTER	FC25					3
1	TERMINAL BOX COVER	FC25					2
1	TERMINAL BOX BODY	FC25					1

APRD BY	UNIT	MM	SUBJECT	H/LAB FR:250,280 (2234)	GO PROJ & FILE #
Q.P. CHK	SCALE	NONE	TITLE	TERMINAL BOX ASS'Y	F-300-4 \ 300007
CHGD BY	PROJECN	3.24(3rd Angle)			
DSND BY	KIM JONG SEON	DATE	98.10.30		

REV	DATE	CONTENTS	REQD BY	CHKD BY	APRD BY
1					
2					
3					
4					

REF. NO.	DWG NO.	SHEET NO.
	3M-036962	of
		Revision No.

