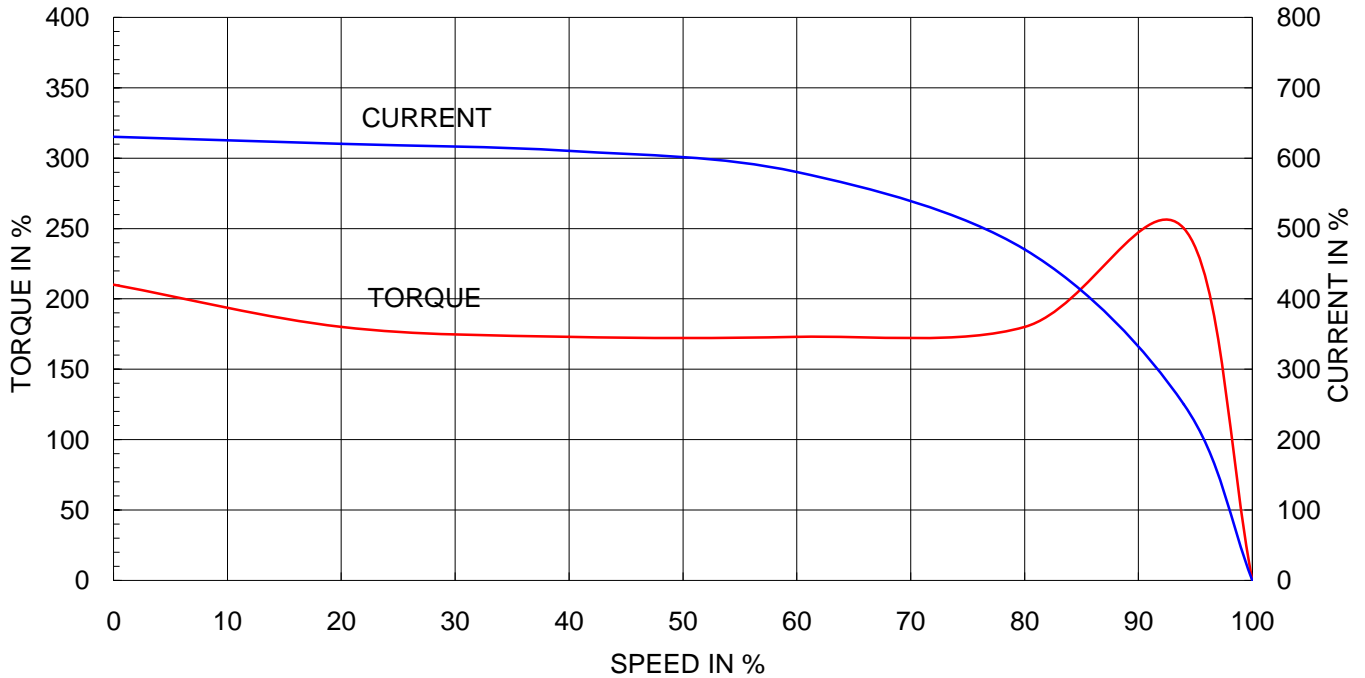


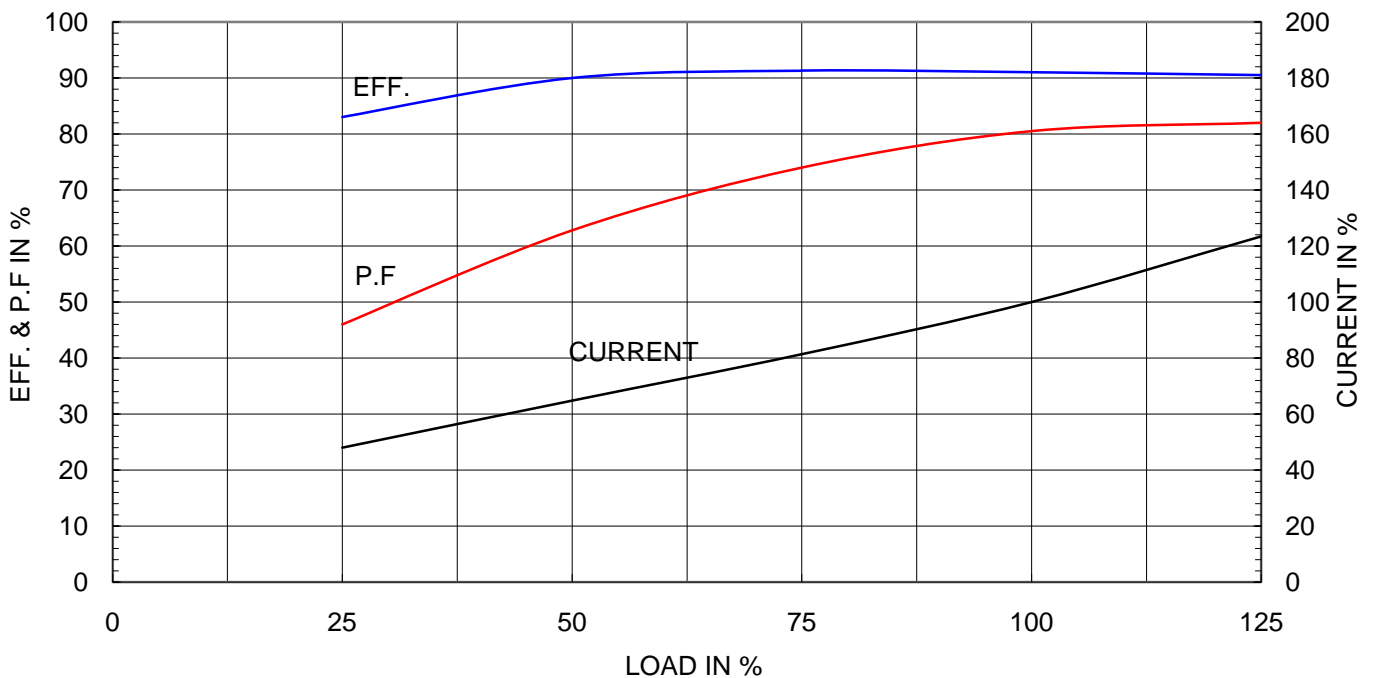
Type	:	HL-XP
Full Load Torque	:	6.1 Kg.m
Motor moment of Inertia (J)	:	0.060 Kg.m ²
Load moment of Inertia (J)	:	9.000 Kg.m ²

11 kW	4 P	60 Hz	
Speed at Full Load :		1770 RPM	
Rated Voltage	440V	380V	220V
Full Load Current	19.7A	22.8A	39.4A

SPEED VS TORQUE & CURRENT CURVE



OUTPUT VS EFF., P.F & CURRENT CURVE





TEFC

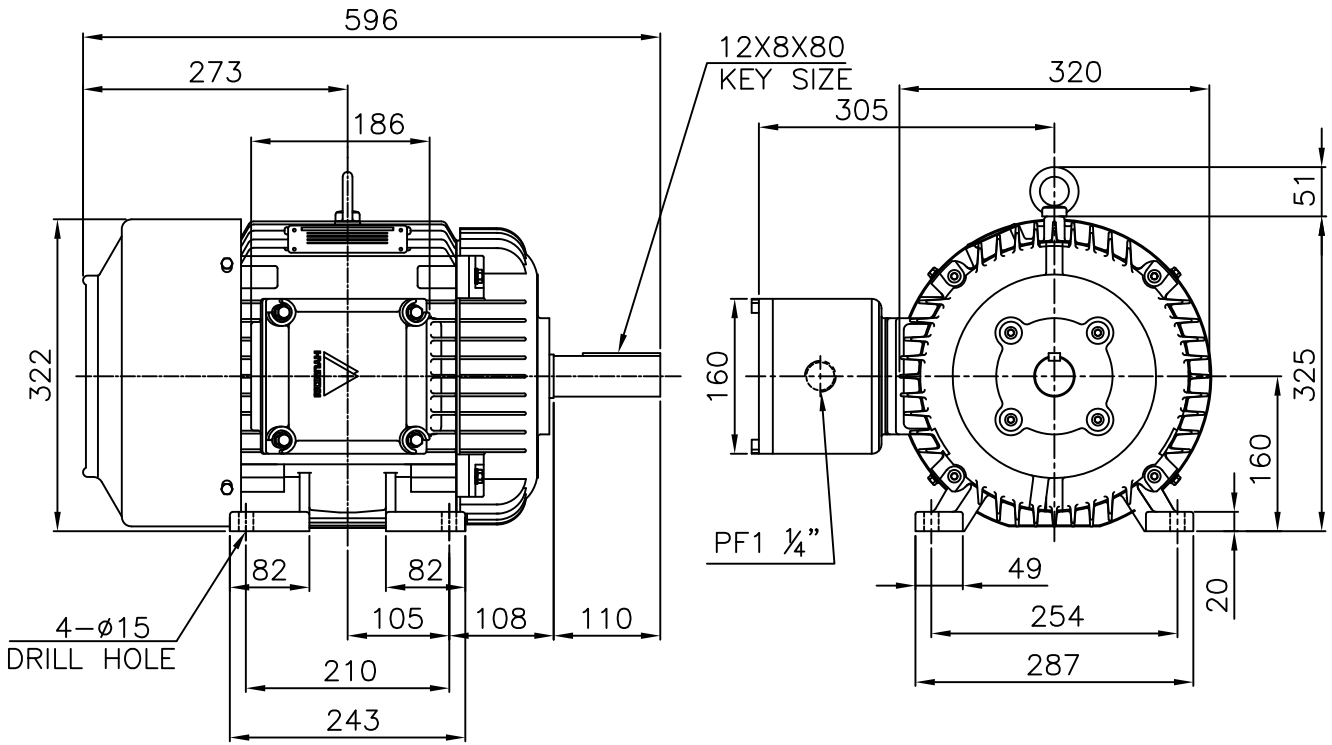
THREE PHASE INDUCTION MOTOR

TYPE

HL, HLS

CAST IRON FRAME

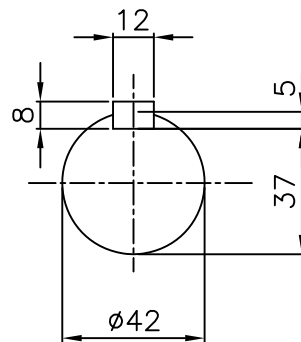
Exd II



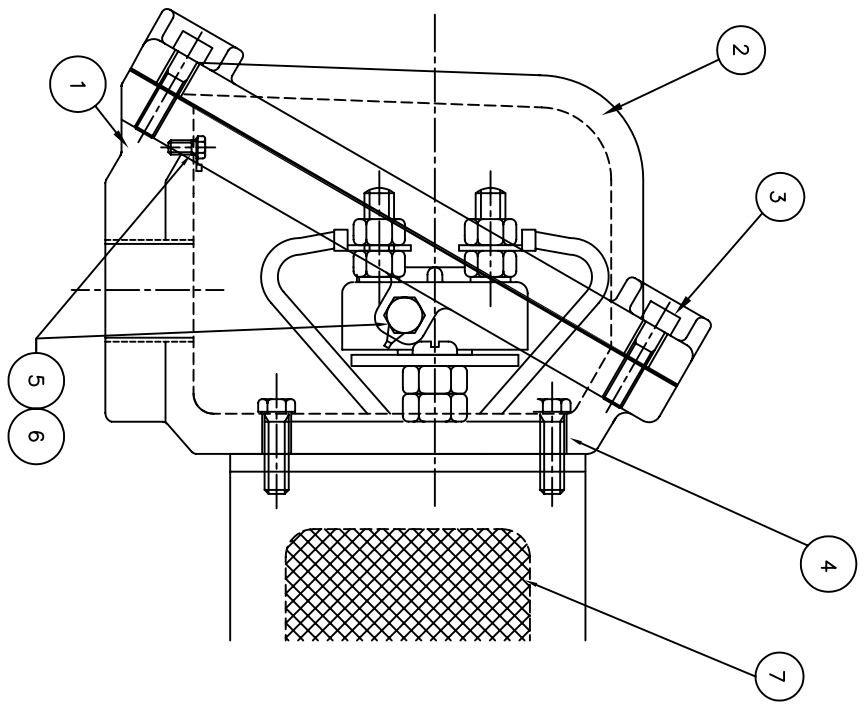
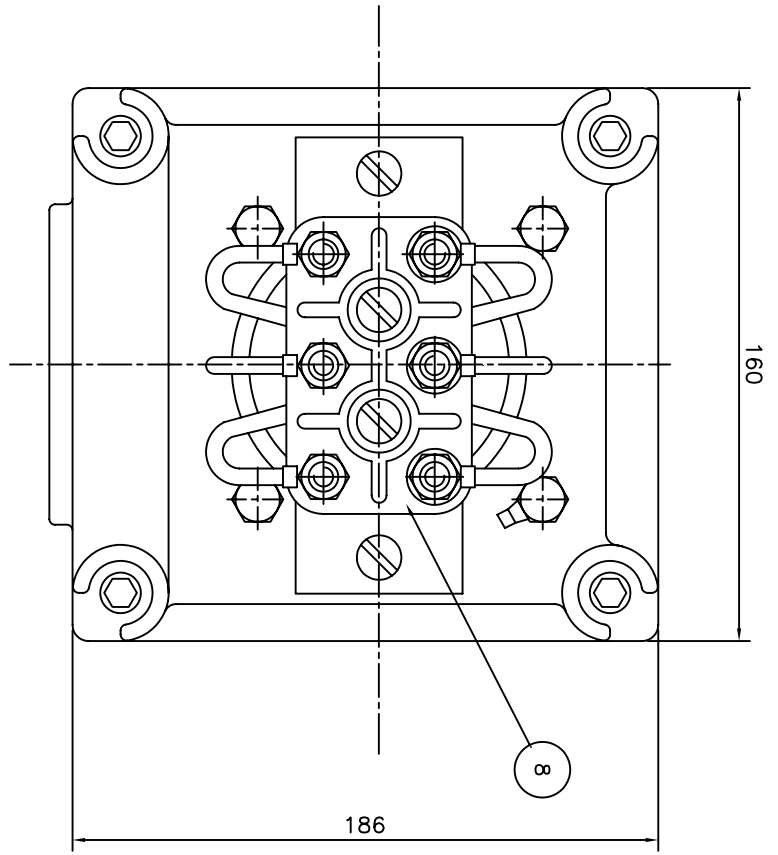
NOTE

1.TOLERANCE :

CENTER HEIGHT	160	$\begin{matrix} 0 \\ -0.5 \end{matrix}$
BASE HOLES	$\phi 15$	$\begin{matrix} +0.43 \\ 0 \end{matrix}$
SHAFT DIAMETER	$\phi 42$	$\begin{matrix} +0.018 \\ +0.002 \end{matrix}$
KEYWAY WIDTH	12	$\begin{matrix} 0 \\ -0.043 \end{matrix}$
KEYWAY DEPTH	5	$\begin{matrix} +0.2 \\ 0 \end{matrix}$



APPD BY	Y. S. KIM	UNIT	mm	SUBJECT	KS 160M	CAD PROJ \ FILE	
CHKD BY	K. S. LEE	SCALE	1/8			XSDNKS \ B2002AA05	
CHKD BY	-----	PROJEC'N	3rd Angle	TITLE	OUTLINE		
DSND BY	I. K. KIM	DATE	2008.10.22	REF. NO	B2002AA05	Sheet No.	of
				DWG NO	227B2002AA05	Revision No.	0



Q'TY	DESCRIPTION	MATERIAL	DIMENSION	WEIGHT	PART NO.	REMARK	NO.
1	TERMINAL BLOCK	D4C29C					8
1	SEALING COMPOUND	CU					7
2	GRD. TERMINAL LUG	S45C					6
2	GRD. BOLT	S45C					5
4	T/B + FRAME BOLT	S45C					4
4	T/B + COVER BOLT	S45C					3
1	TERMINAL BOX COVER	FC15					2
1	TERMINAL BOX ASSEMBLY	FC15					1

APPD BY	UNIT	MATERIAL	DIMENSION	WEIGHT	PART NO.	REMARK	NO.
CHKD BY	SCALE	N/S	SUBJECT	IEC 160/180FR d2G4		CAD PROJ \FILE XSMOUT\7B1468LB	
CHKD BY	PROJEC'N	3*48 (3rd Angle)	TITLE	MAIN TERMINAL BOX			
DSND BY	DATE	99.2.2	REF. NO	7B1470LB	Sheet No. of		
		LEE E.J.	DWG NO	227B1470LB	Revision No.	0	

REV	DATE	CONTENTS	REVD BY	CHKD BY	CHKD BY	APPD BY
1						
2						
3						
4						

HYUNDAI
HEAVY INDUSTRIES CO. LTD.
ELECTRICAL ENGINEERING DIVISION