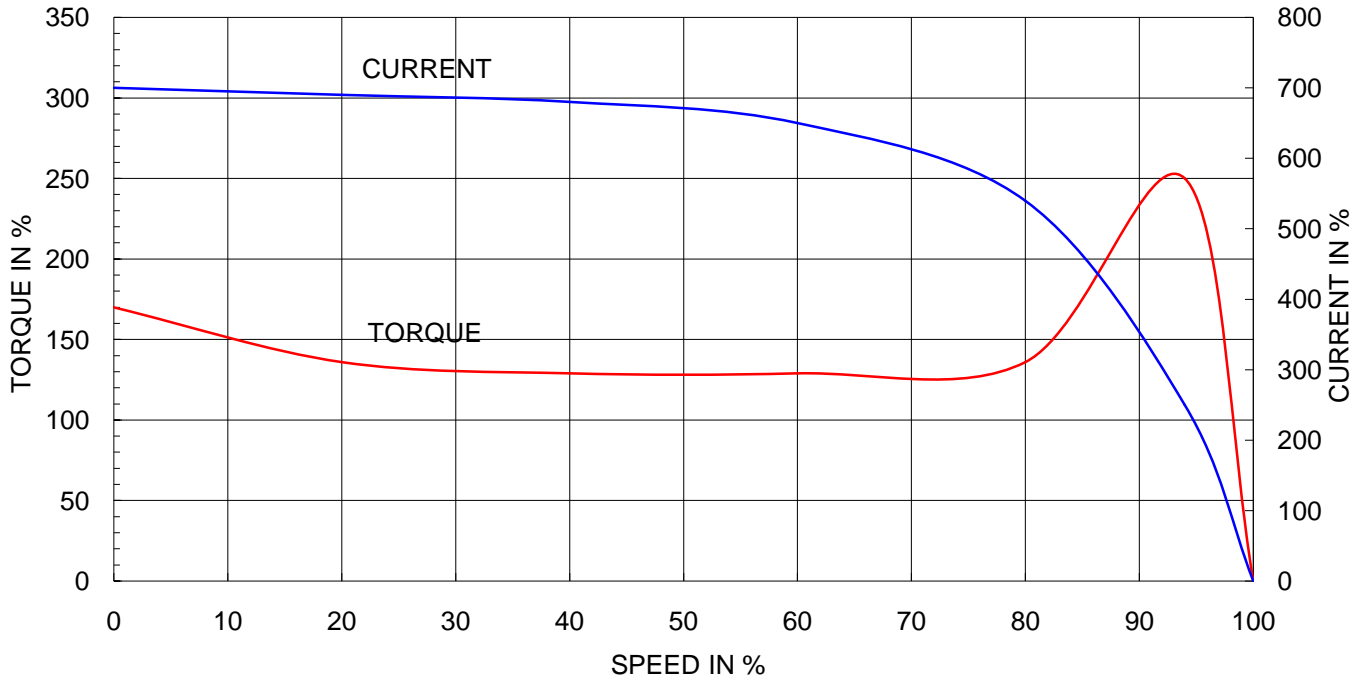


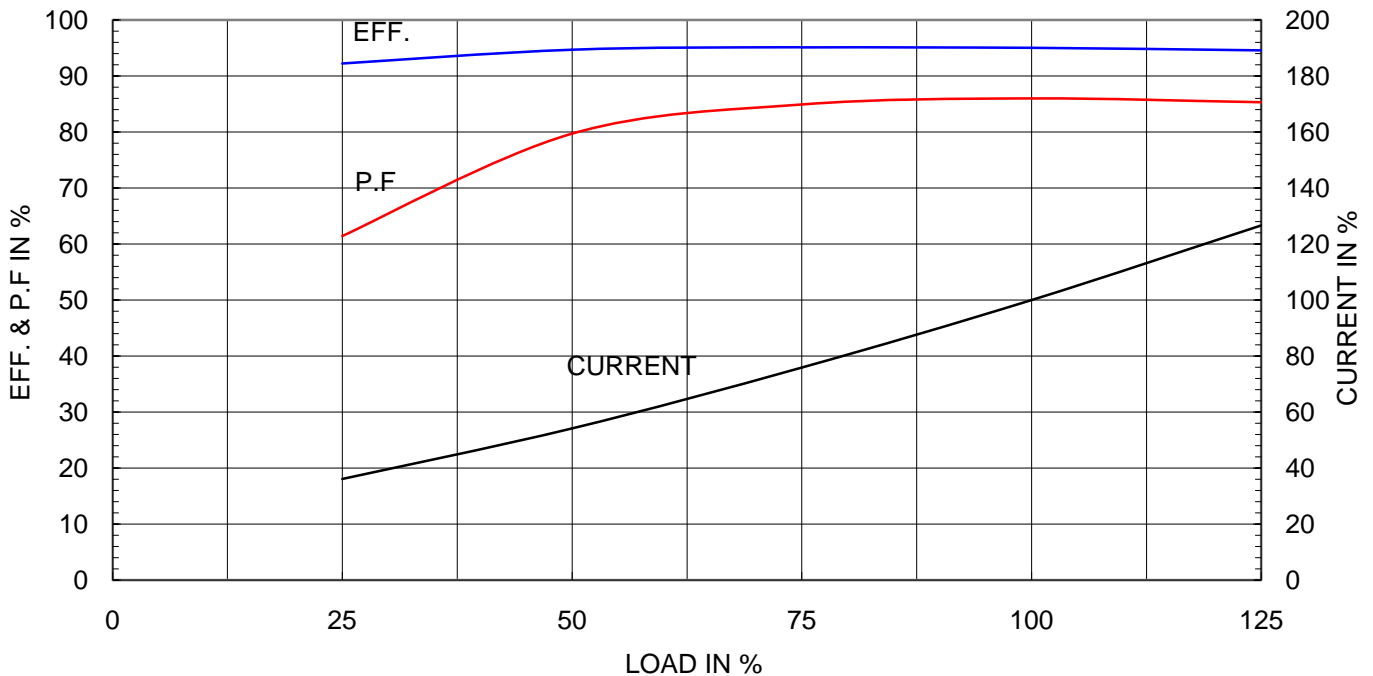
Type	: GHB280M
Full Load Torque	: 90.4 Kg.m
Motor moment of Inertia (J)	: 4.943 Kg.m ²
Load moment of Inertia (J)	: 204.975 Kg.m ²

110 kW	6 P	60 Hz	
Speed at Full Load :		1185 RPM	
Rated Voltage	440V	380V	220V
Full Load Current	176.7A	204.6A	353.3A

SPEED VS TORQUE & CURRENT CURVE



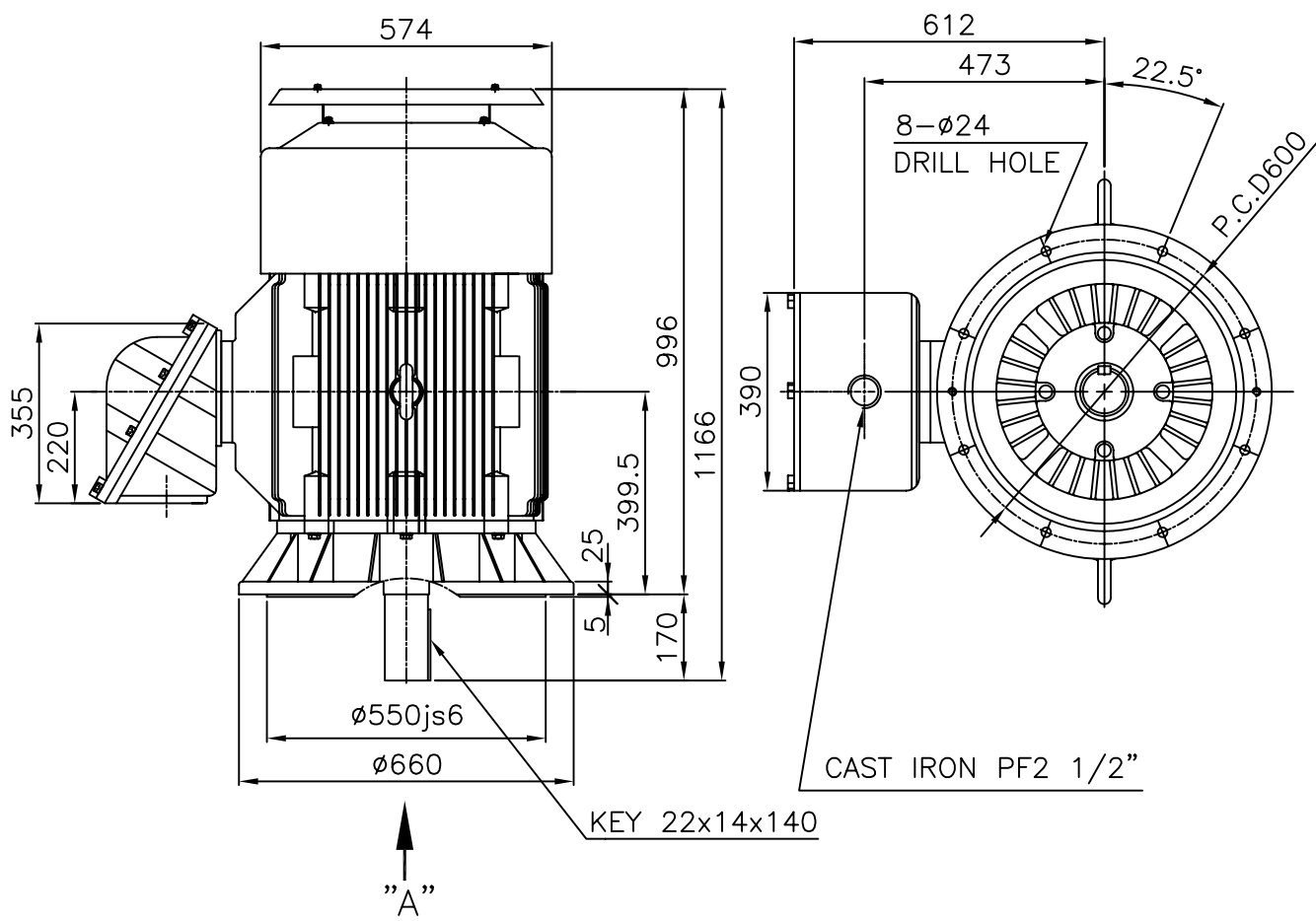
OUTPUT VS EFF., P.F & CURRENT CURVE



본 도면은 현대중공업(주) 재산이므로
허가없이 복사할 수 없습니다 (취급유의)

THIS DRAWING IS PROPRIETARY TO HHI. NO PART OF THIS DRAWING
MAYBE REPRODUCED WITHOUT THE PERMISSION OF HHI.

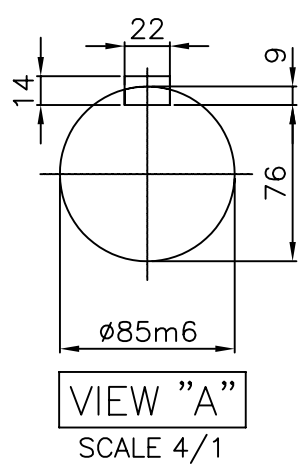
		<h1>TEFC</h1>		TYPE	GHB280M
THREE PHASE INDUCTION MOTOR					CAST IRON FRAME



NOTE

1.TOLERANCE :

RABBET DIAMETER	ø550 ±0.022
SHAFT DIAMETER	ø85 +0.035 / +0.013
KEYWAY WIDTH	22 -0.022 / -0.074
KEYWAY DEPTH	9 +0.2 / 0
KEY WIDTH	22 0 / -0.052
KEY HEIGHT	14 0 / -0.110



2.Ex d IIB T4 : (EXPLOSION CONSTRUCTION & IGNITION GROUP)

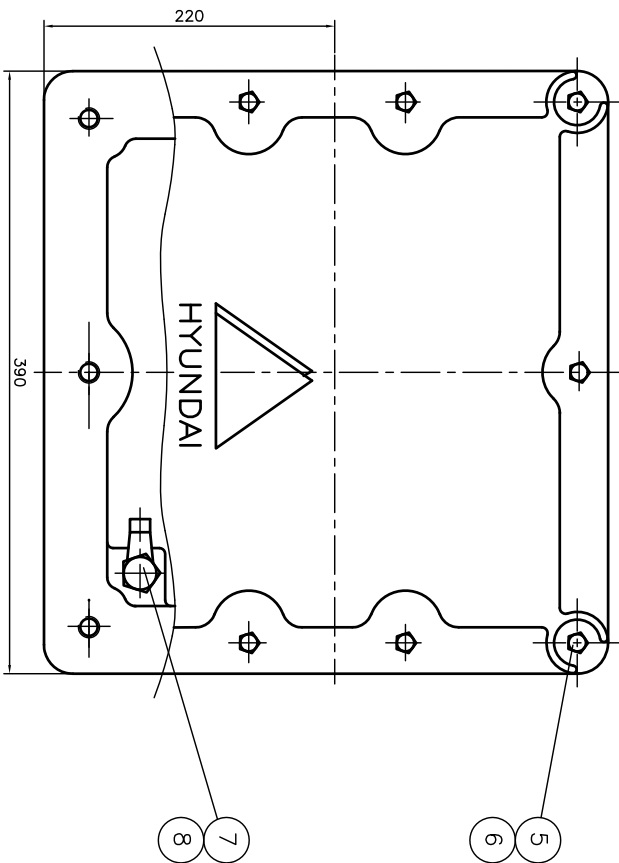
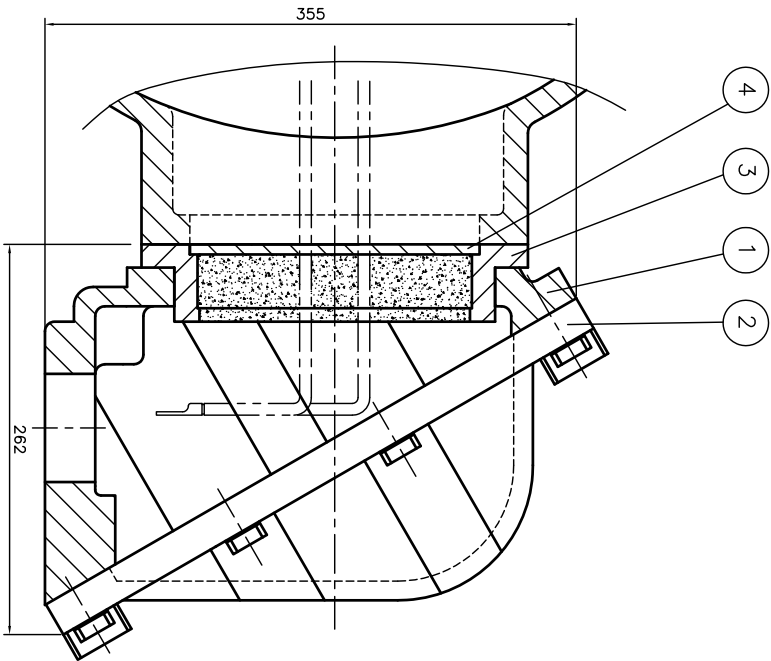
TEFC STANDARD

CAD PROJ \ FILE
MMSTDMTR/GJ80PP02

APPD BY	KIM Y.S	UNIT	mm
CHKD BY	 	SCALE	1/15
CHKD BY	 	PROJEC'N	3rd Angle
DSND BY	NOH DUK LEE	DATE	2008.07.14

SUBJECT	KS Fr.280 d2G4	
TITLE	OUTLINE THREE-PHASE INDUCTION MOTOR	

REF. NO	L3-SERIES	Sheet No. of
DWG NO	GJ80PP02	Revision No. 0



QTY	DESCRIPTION	MATERIAL	DIMENSION	WEIGHT	PART NO.	REMARK	NO.
1	HEX. BOLT	BRONZE	M10				8
1	EARTH TERMINAL LUG	STD					7
10	SPRING WASHER	SUP-3					6
10	HEX. BOLT	S45C	M12				5
1	GUIDE PLATE	E.C.P					4
1	ADAPTER	FC25					3
1	TERMINAL BOX COVER	FC25					2
1	TERMINAL BOX BODY	FC25					1

APRD BY	UNIT	MM	SUBJECT	H/LAB FR-250,280 (2234)	SCALE	NONE	TITLE	TERMINAL BOX ASS'Y	
CHK BY	SCALE	NONE	PROJECN	3-24(3rd Angle)	DATE	98.10.30	REF. NO.		
DSND BY	KIM JONG SEON	DATE	98.10.30	DWG NO.	3M-036962	Sheet No.			
								Revision No.	

REV	DATE	CONTENTS	REQD BY	CHKD BY	APRD BY
1					
2					
3					
4					

