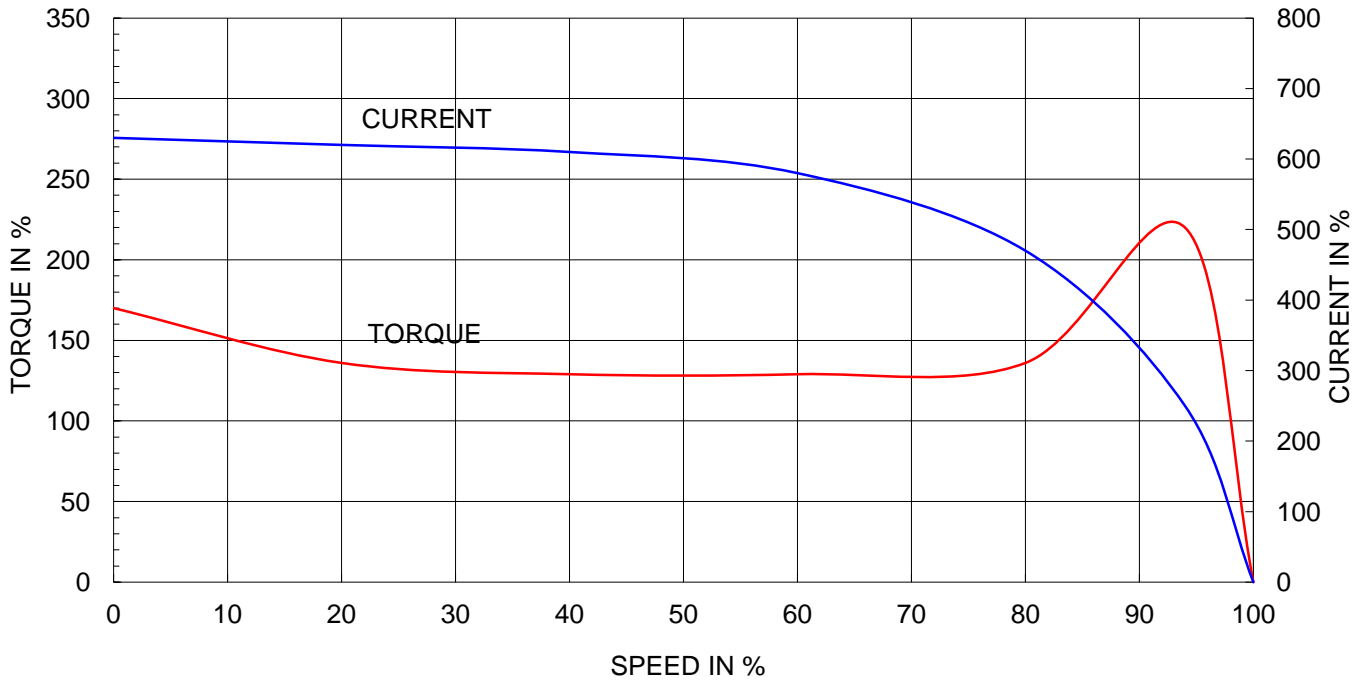


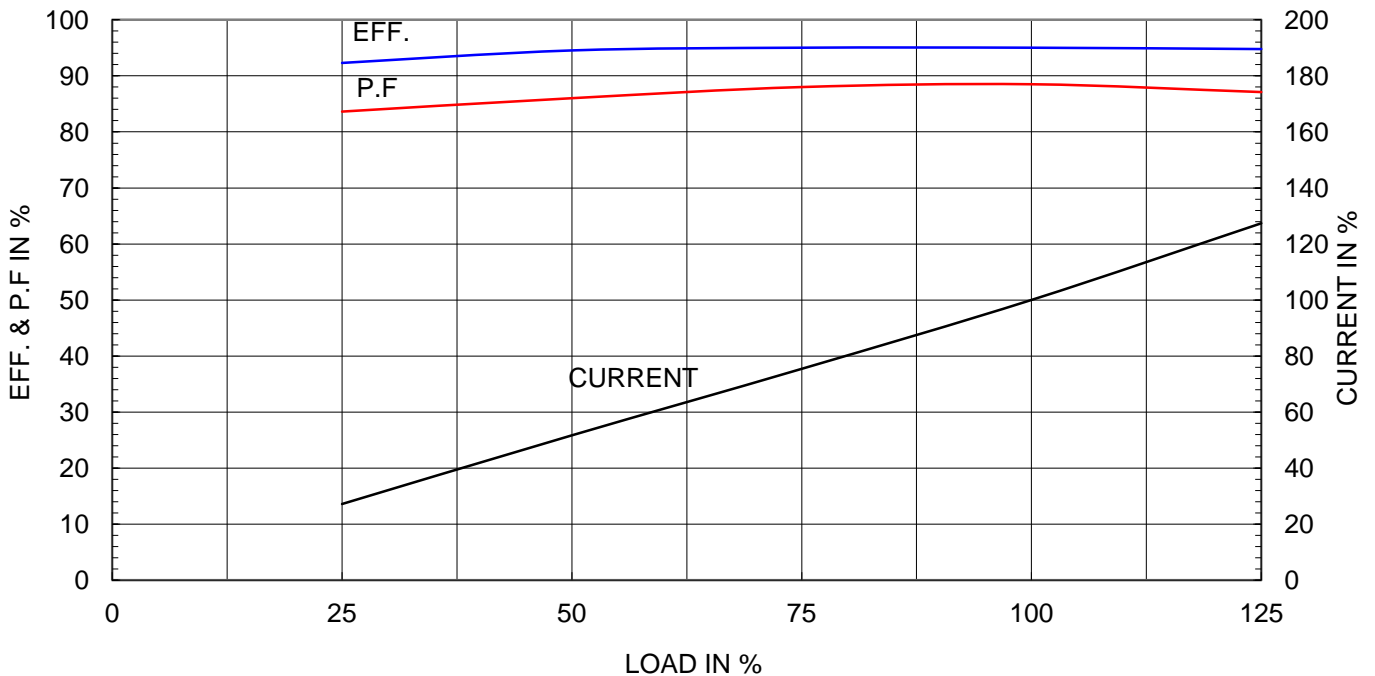
Type	:	HS
Full Load Torque	:	109.1 Kg.m
Motor moment of Inertia (J)	:	5.488 Kg.m ²
Load moment of Inertia (J)	:	139.850 Kg.m ²

200 kW	4 P	60 Hz	
Speed at Full Load :		1785 RPM	
Rated Voltage	440V	380V	220V
Full Load Current	312.1A	361.4A	624.3A

SPEED VS TORQUE & CURRENT CURVE



OUTPUT VS EFF., P.F & CURRENT CURVE





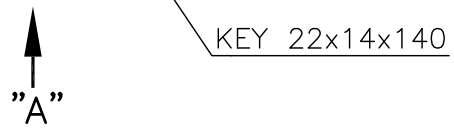
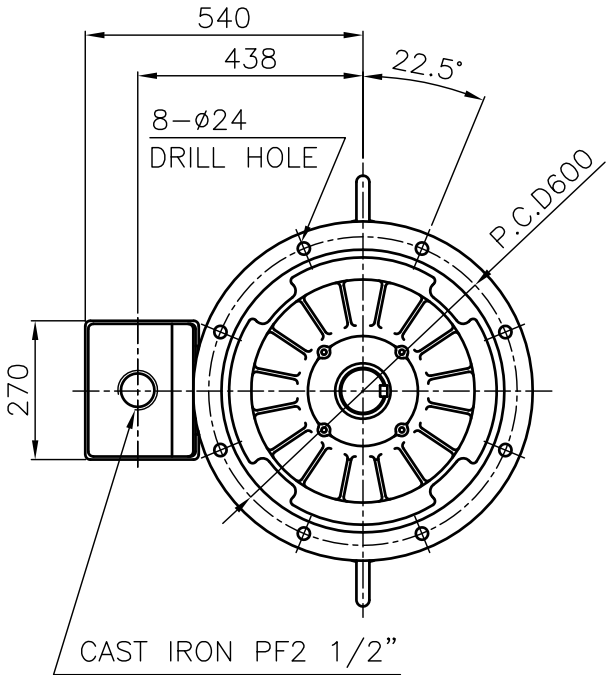
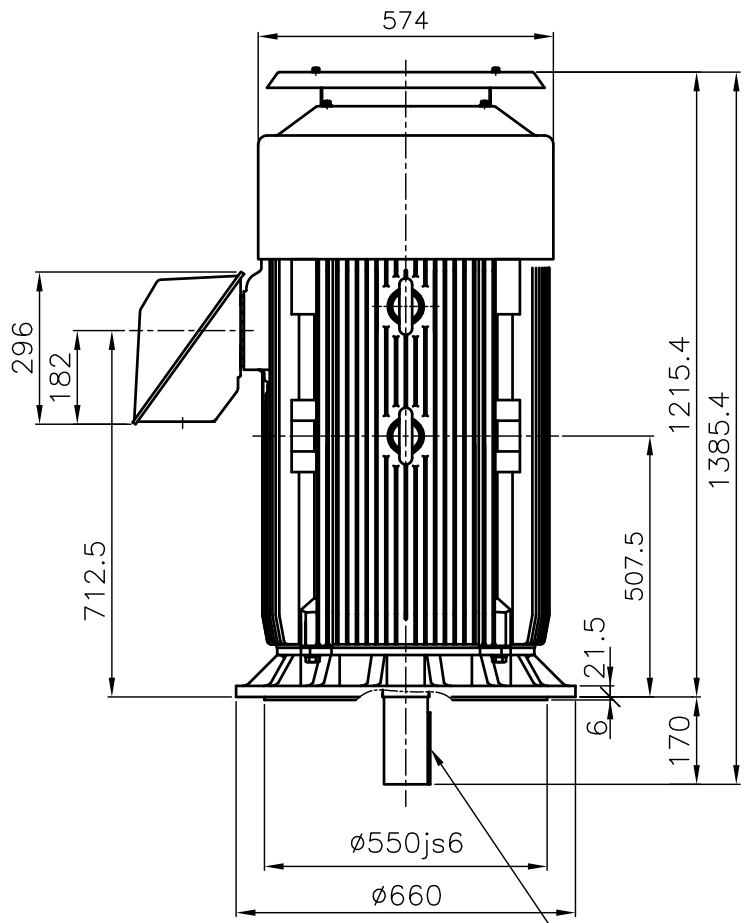
TEFC

THREE PHASE INDUCTION MOTOR

TYPE

(1) TNB , TDB

CAST IRON FRAME

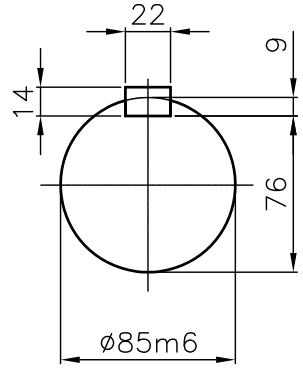


NOTE

1.TOLERANCE :

RABBET DIAMETER	ø550js6	±0.022
SHAFT DIAMETER	ø85m6	+0.035 +0.013
KEYWAY WIDTH	22P9	-0.022 -0.074
KEYWAY DEPTH	9	+0.2 0

2.The type (1)-"TNB, TDB" is for HHI's standard products and it can be changed for customer's requirements or detail designing.



VIEW "A"
SCALE 4/1

TEFC STANDARD

CAD PROJ \ FILE
MMSTDMTR/TJ8XPP51

APPD BY	KANG K.J.	UNIT	MM
CHKD BY	KIM O.J.	SCALE	1/15
CHKD BY	LEE N.D.	PROJEC'N	3rd Angle
DSND BY	KIM RYANG GYU	DATE	2007.03.23

SUBJECT	KS Fr.280LL TEFC	
TITLE	OUTLINE THREE-PHASE INDUCTION MOTOR	



REF. NO	L3-SERIES	Sheet No. of
DWG NO	TJ8XPP51	Revision No. 0

