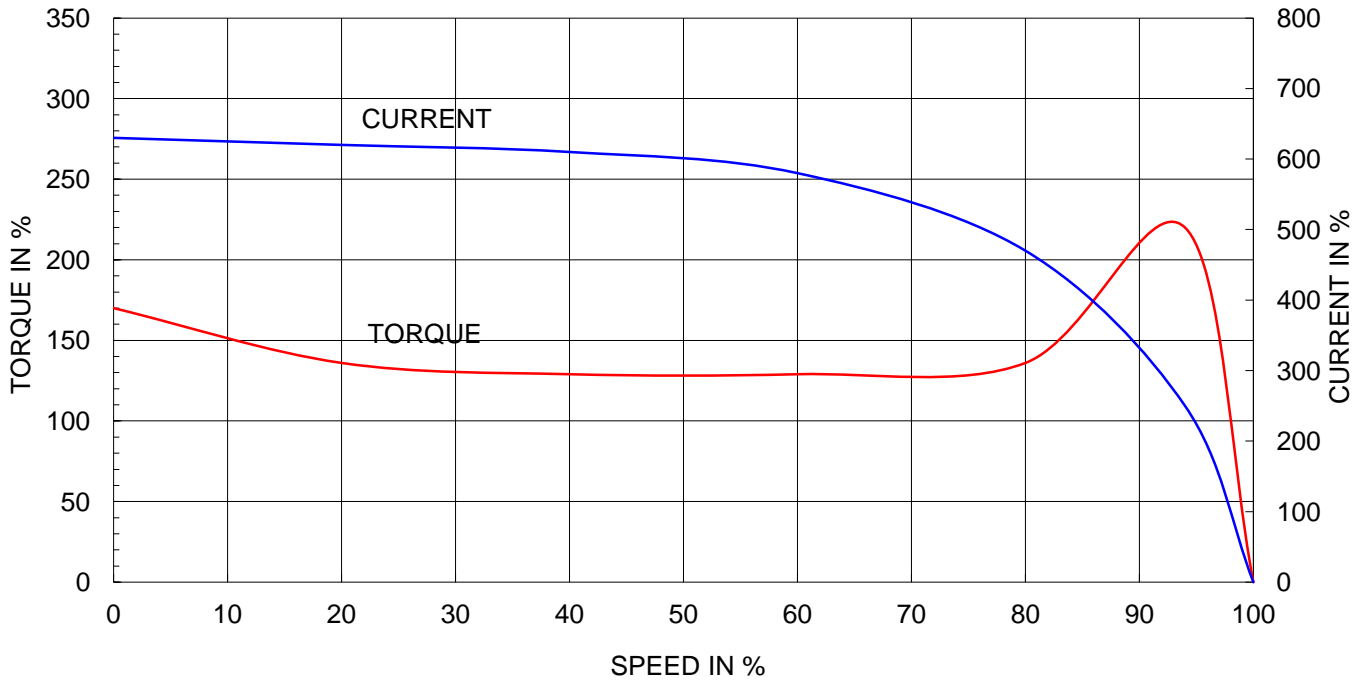


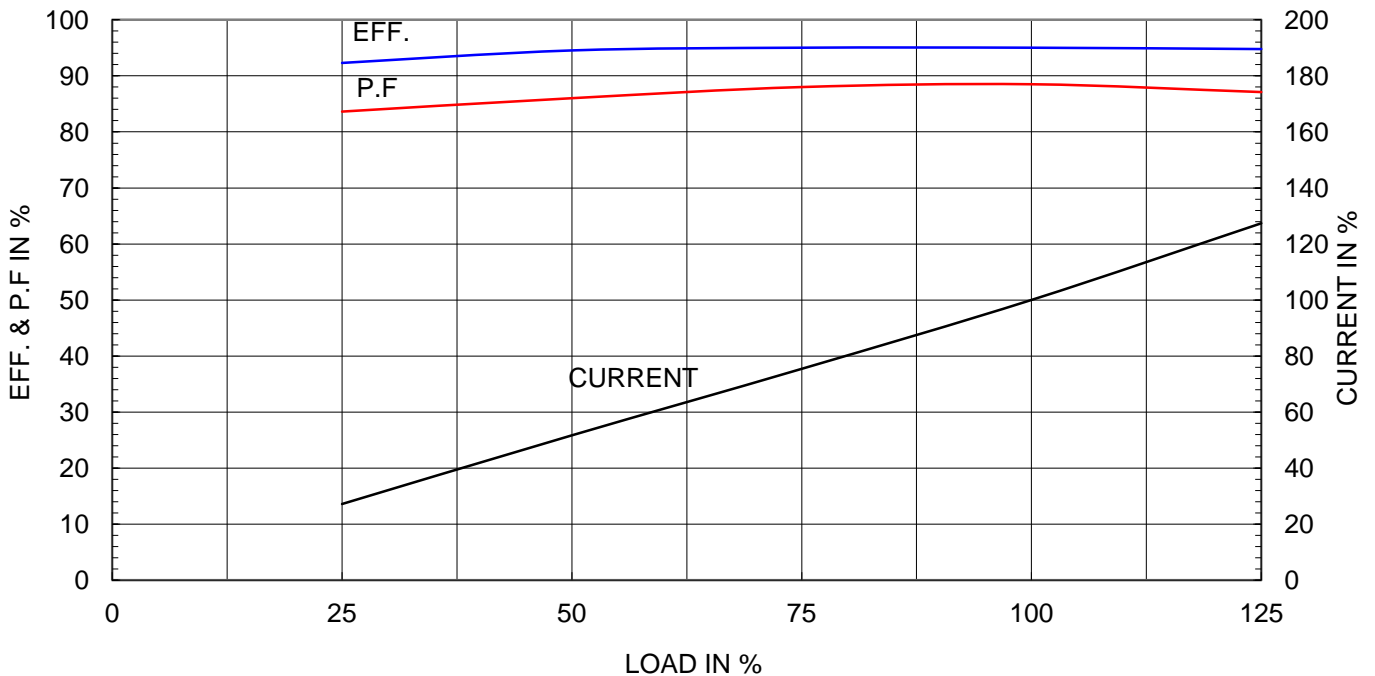
Type	:	HS
Full Load Torque	:	109.1 Kg.m
Motor moment of Inertia (J)	:	5.488 Kg.m ²
Load moment of Inertia (J)	:	139.850 Kg.m ²

200 kW	4 P	60 Hz	
Speed at Full Load :		1785 RPM	
Rated Voltage	440V	380V	220V
Full Load Current	312.1A	361.4A	624.3A

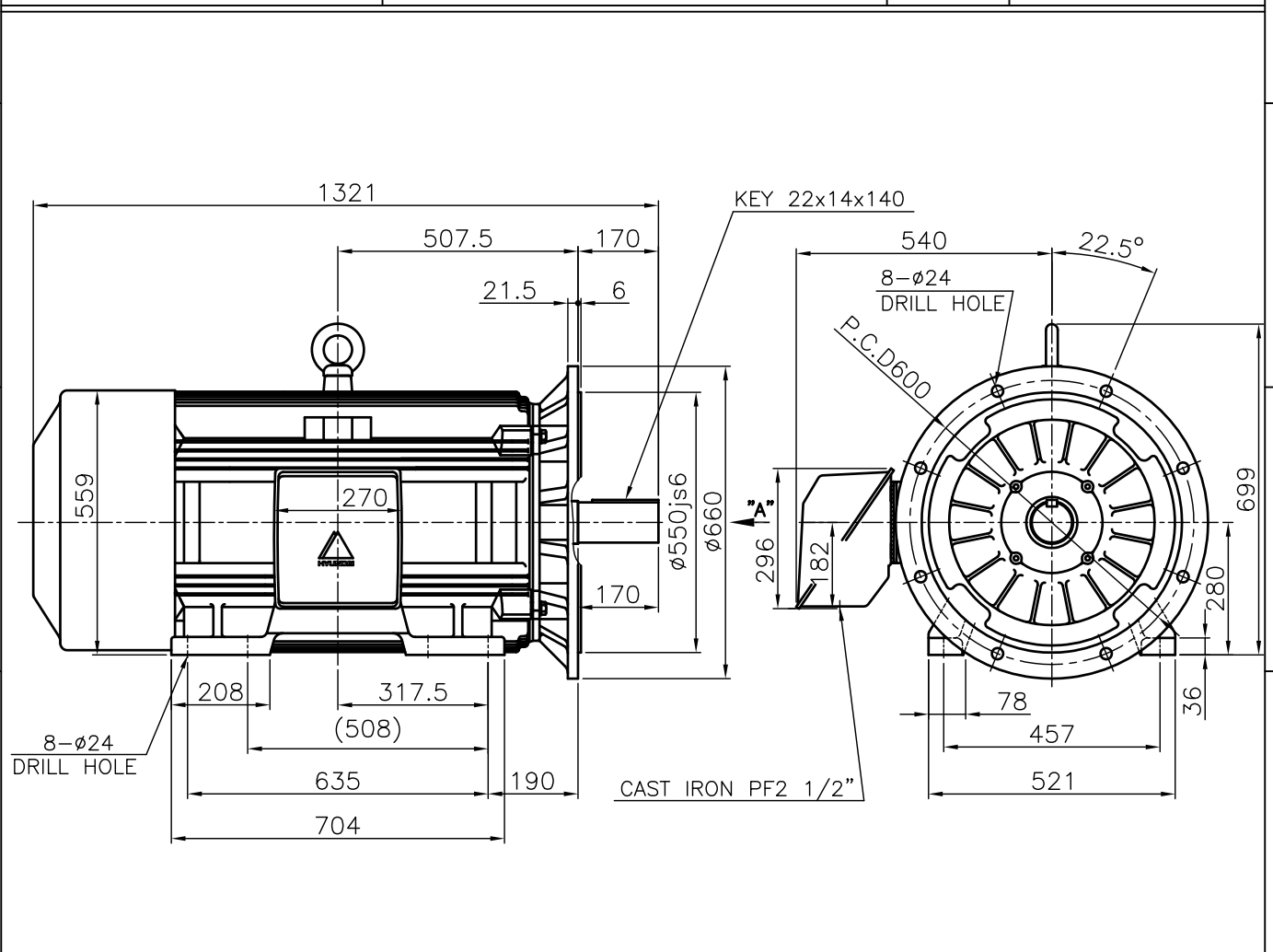
SPEED VS TORQUE & CURRENT CURVE



OUTPUT VS EFF., P.F & CURRENT CURVE



	<h1 style="margin:0;">TEFC</h1> <h2 style="margin:0;">THREE PHASE INDUCTION MOTOR</h2>	TYPE	(1) TNB , TDB CAST IRON FRAME
---	--	-------------	---

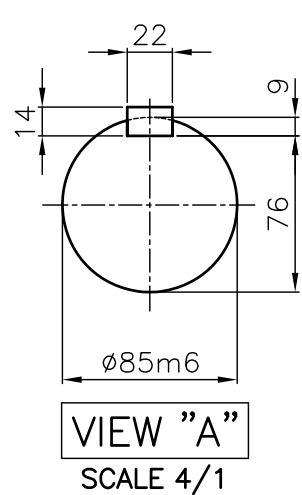



NOTE

1. TOLERANCE :

CENTER HEIGHT	280	$\begin{matrix} 0 \\ -1.0 \end{matrix}$
RABBET DIAMETER	$\phi 550$	± 0.022
SHAFT DIAMETER	$\phi 85$	$\begin{matrix} +0.035 \\ +0.013 \end{matrix}$
KEYWAY WIDTH	22	$\begin{matrix} -0.022 \\ -0.074 \end{matrix}$
KEYWAY DEPTH	9	$\begin{matrix} +0.2 \\ 0 \end{matrix}$

2. The type (1)-"TNB , TDB" is for HHI's standard products and it can be changed for customer's requirements or detail designing.



				TEFC STANDARD	
APPD BY	KANG K.J.	UNIT	MM	SUBJECT	KS Fr.280LL TEFC
CHKD BY	KIM R.G.	SCALE	1/15	CAD PROJ \ FILE	
CHKD BY	LEE N.D.	PROJEC'N	3rd Angle	MMSTDMTR/TJ8XCP51	
DSND BY	KIM RYANG GYU	DATE	2007.03.23	OUTLINE	
				THREE-PHASE INDUCTION MOTOR	
		REF. NO	L2-Series	Sheet No.	of
		DWG NO	TJ8XCP51	Revision No.	0

