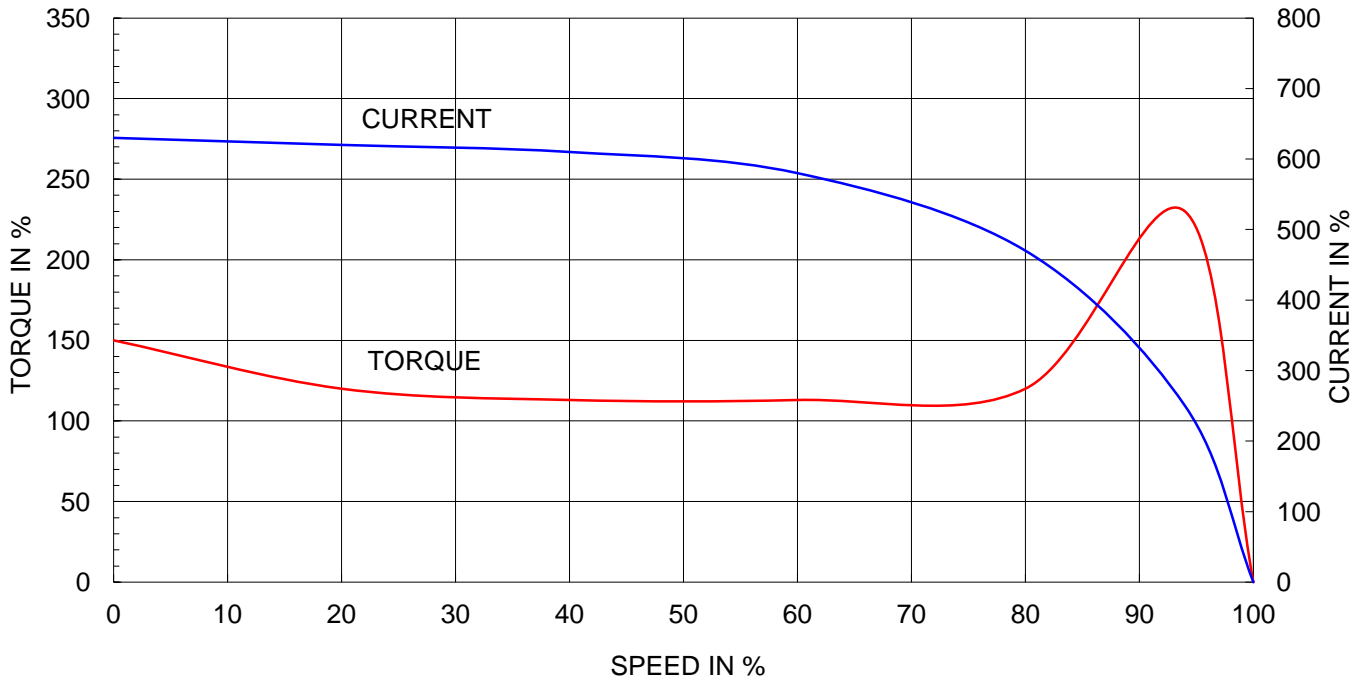




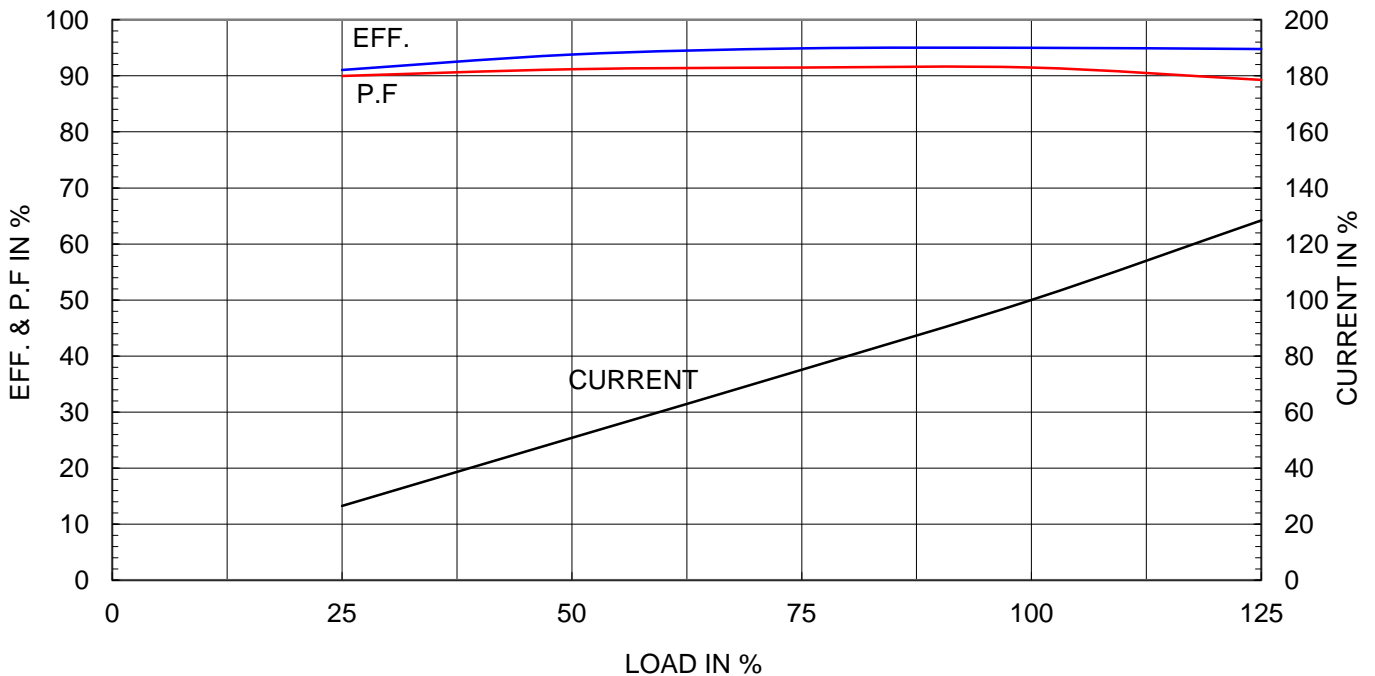
Type	:	HS
Full Load Torque	:	54.6 Kg.m
Motor moment of Inertia (J)	:	3.595 Kg.m <sup>2</sup>
Load moment of Inertia (J)	:	19.550 Kg.m <sup>2</sup>

200 kW	2 P	60 Hz	
Speed at Full Load :			
3570 RPM			
Rated Voltage	440V	380V	220V
Full Load Current	301.9A	349.6A	603.8A

SPEED VS TORQUE & CURRENT CURVE

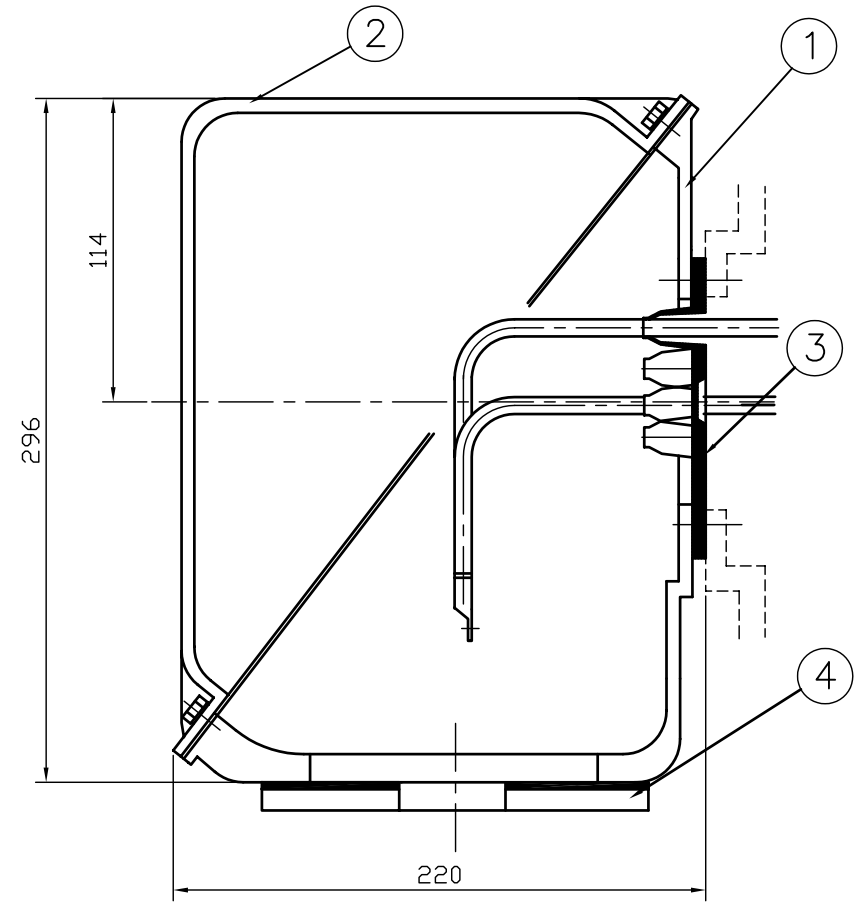
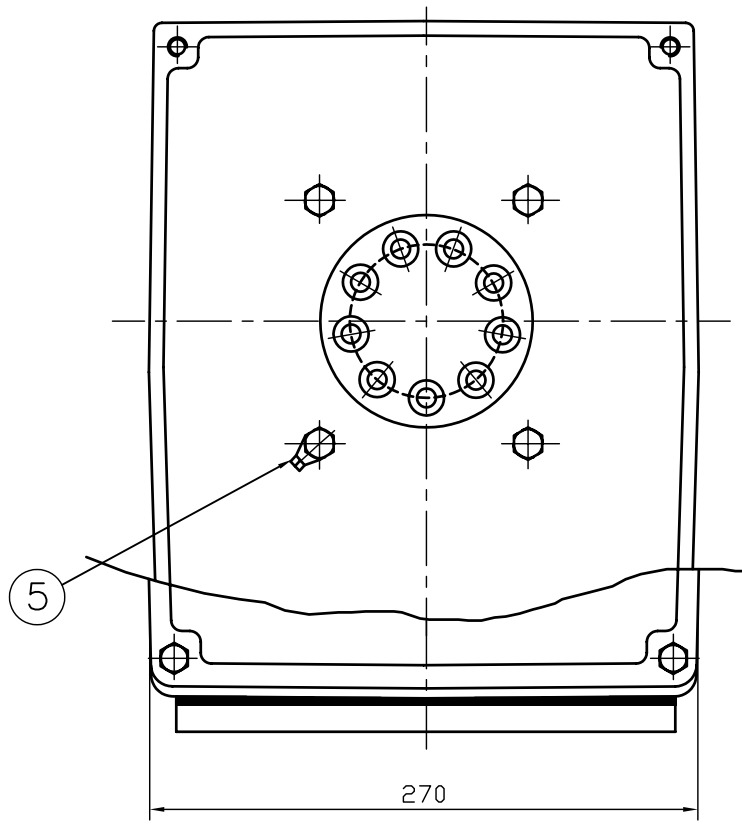


OUTPUT VS EFF., P.F & CURRENT CURVE





본 도면은 현대중공업(주) 재산이므로 허가없이  
복사할 수 없음 (도면제출 시 유의하시기 바랍니다.)



1	EARTH TERMINAL LUG						5
1	CABLE ENTRY PLATE						4
1	GASKET	NBR					3
1	TERMINAL BOX COVER	CAST IRON					2
1	TERMINAL BOX BODY	CAST IRON					1

Q'TY	DESCRIPTION	MATERIAL	DIMENSION	WEIGHT	PART NO.	REMARK	NO.
APPD BY	김진오	UNIT	MM	SUBJECT	HLA6 - 250,280Fr. CAD PROJ FILE		
Q.P CHK	주영걸	SCALE	NONE	TITLE	(CAST IRON)		
CHKD BY	권오철	PROJEC'N	3각법(3rd Angle)	TERMINAL BOX ASS'Y			
DSND BY	김헌태	DATE	92.06.05	REF. NO		Sheet No. of	
				DWG NO	3M-016882	Revision No.	

REV	DATE	CONTENTS	REVD BY	CHKD BY	Q.P CHK	APPD BY
1						
2						
3						
4						