

AC INDUCTION MOTOR DATA SHEET

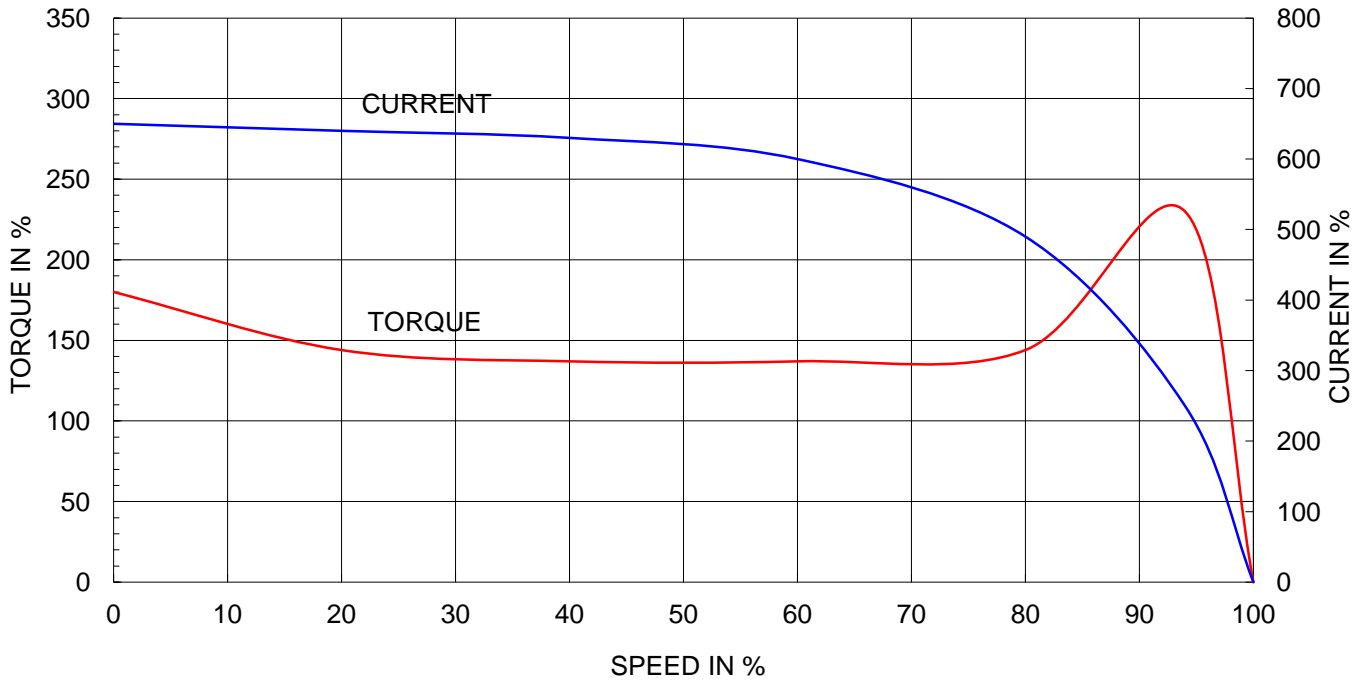
Model No. or RFQ No.		Item No.	Rev. No. [0]			
Project Name		Project No.	Quantity sets			
GENERAL SPECIFICATION			PERFORMANCE DATA			
Frame Size	280L		Rated Output	132 kW 175 HP		
Type	HS-132/6		Number of Poles	6		
Enclosure(Protection)	Totally Enclosed (IP55)		Rotor Type	Squirrel Cage		
Method of Cooling	IC411(FC)		Starting Method*	<input checked="" type="checkbox"/> D.O.L <input type="checkbox"/> Y- Δ		
Rated Frequency	60 Hz		Rated Voltage	440 V 380 V 220 V		
Number of Phases	3		Current	Full Load 209.6 A 242.7 A 419.1 A		
Insulation Class	<input checked="" type="checkbox"/> F <input type="checkbox"/> B <input type="checkbox"/> H		Locked-rotor**	650 % 650 % 650 %		
Temp. Rise at full load (by resistance method)	at 1.0 S.F 80 deg. C		Efficiency			
Motor Location	<input type="checkbox"/> Indoor <input checked="" type="checkbox"/> Outdoor		50% Load	95.0 %		
Altitude	Less than 1000 meter		75% Load	95.1 %		
Relative Humidity	Less than 80 %		100% Load	95.0 %		
Ambient Temp.	40 deg. C (Max.)		Power Factor(p.u)			
Duty Type	Continuous (S1)		50% Load	0.750		
Service Factor	1.15		75% Load	0.851		
Mounting	<input type="checkbox"/> B3 <input type="checkbox"/> B5 <input checked="" type="checkbox"/> V1 <input type="checkbox"/> B3/B5		100% Load	0.870		
Bearing	Type	Anti-Friction				
	DE/N-DE	6318C3 / 6316C3				
	Lubricant	Grease(Gadus S2 V 100 2)				
External Thrust	Not applicable					
Coupling Method	<input checked="" type="checkbox"/> Direct <input type="checkbox"/> V-Belt		Speed at Full Load	1185 r.p.m		
Shaft Extension	<input checked="" type="checkbox"/> Single <input type="checkbox"/> Double		Torque			
Terminal Box	Main	<input type="checkbox"/> Steel <input checked="" type="checkbox"/> Cast Iron		Full Load	108.5 kg · m	
	Aux.	<input type="checkbox"/> Yes <input checked="" type="checkbox"/> No		Locked-rotor**	180 %	
	Location	Refer to Outline Drawing			Breakdown**	230 %
Application			Moment of Inertia (J)			
Area classification	Non-Hazardous		Load(Max.)	224.250 kg · m ²		
Type of Ex-Protection	Not applicable		Motor	5.753 kg · m ²		
Applicable Standard	KS,IEC,NEMA MG1 Part30(Vpeak)		Sound Pressure Level (No-load & mean value at 1m from motor)	80 dB(A)		
ACCESSORIES			SUBMITTAL DRAWING			
			Outline Dimension Drawing \ Motor Weight(Approx.)			
			B3		kg	
			B5		kg	
			V1	TJ8LPP51	960 kg	
B3/B5		kg				
			Main T-Box Ass'y	3M-016882		
SPARE PARTS			REMARK			
			High Efficiency			
			*. For use on PWM VFD 10:1VT, 3:1CT@1.0S.F&F Temp. rise			
			Date	DSND CHKD CHKD APPD		
			2010-05-28	R.G. KIM O.J. KIM J.H. KIM K.J. KANG		

Note: Others not mentioned in this data sheet shall be in accordance with maker standard.
 Above technical data are only design values and shall be guaranteed with tolerance of applicable standard.
 Inspection and performance test shall be maker standard, if not mentioned.
 * In case of Inverter-Fed Motor, performance data is based on sine wave tests.
 ** Data is based on when the motor is supplied at rated voltage & frequency, and the data is expressed as a percentage of full-load value.

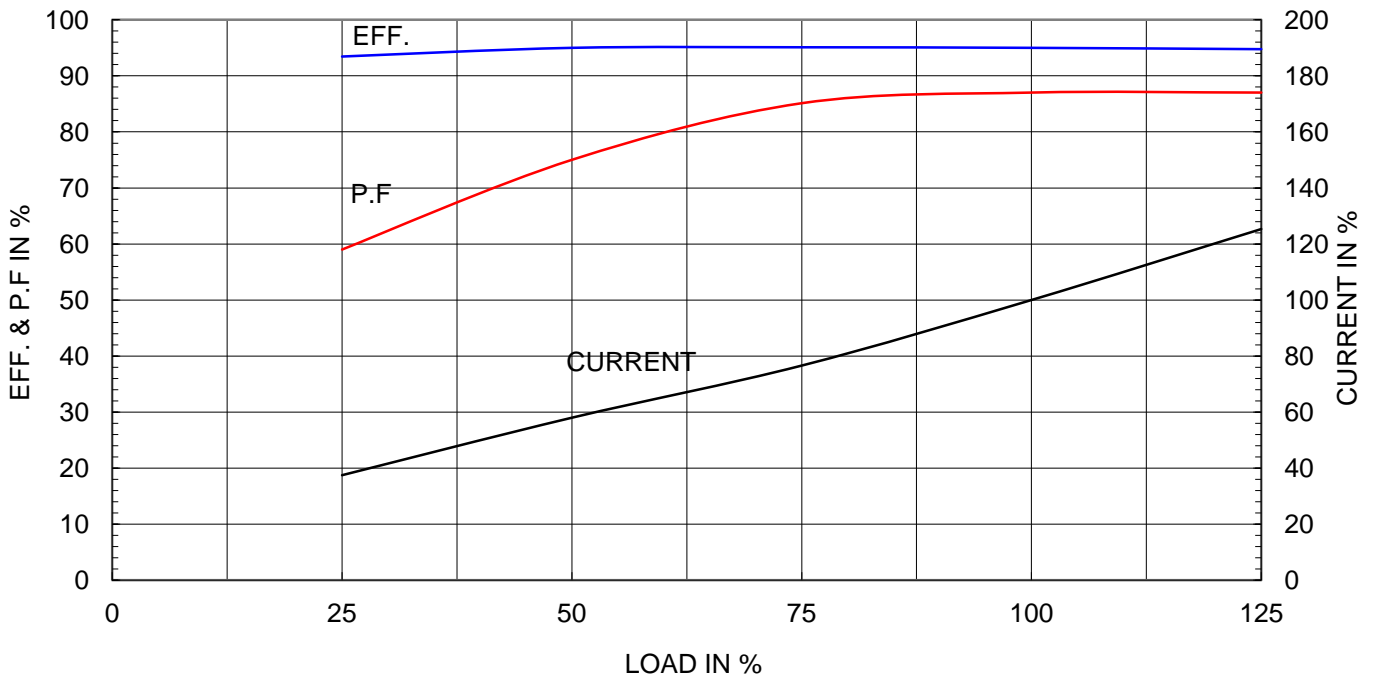
Type	:	HS
Full Load Torque	:	108.5 Kg.m
Motor moment of Inertia (J)	:	5.753 Kg.m ²
Load moment of Inertia (J)	:	224.250 Kg.m ²

132 kW	6 P	60 Hz	
Speed at Full Load : 1185 RPM			
Rated Voltage	440V	380V	220V
Full Load Current	209.6A	242.7A	419.1A

SPEED VS TORQUE & CURRENT CURVE



OUTPUT VS EFF., P.F & CURRENT CURVE



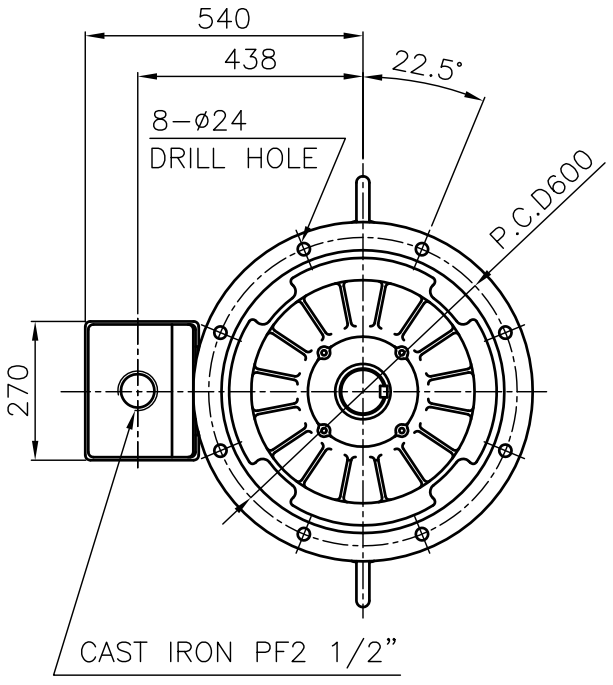
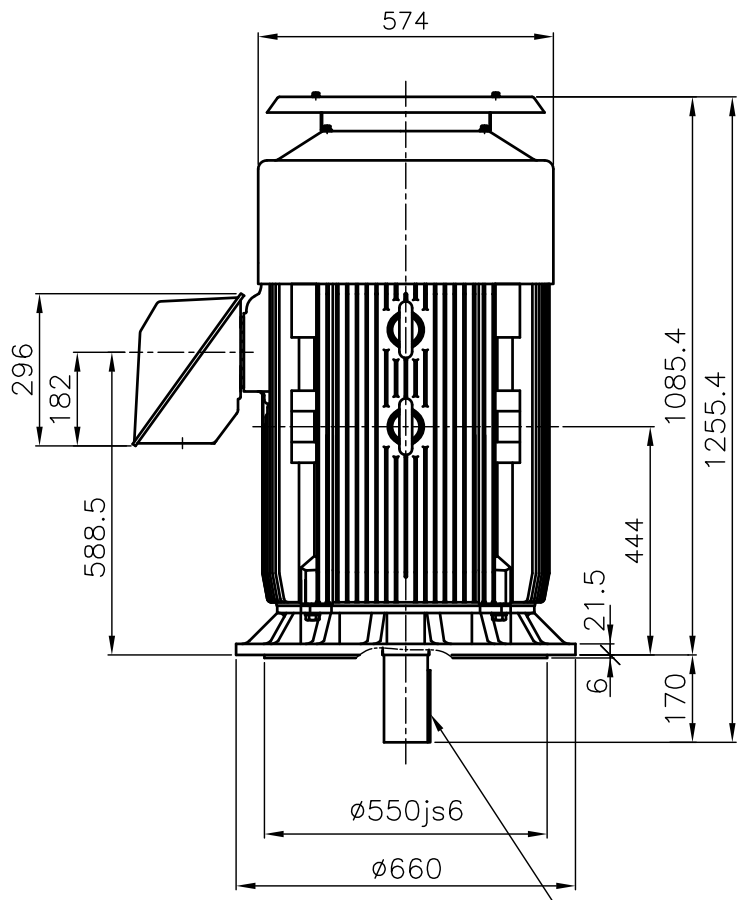


TEFC
THREE PHASE INDUCTION MOTOR

TYPE

(1) TNB , TDB

CAST IRON FRAME



↑
"A"

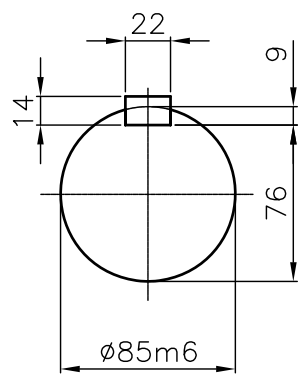
KEY 22x14x140

NOTE

1.TOLERANCE :

RABBET DIAMETER	ø550js6	±0.022
SHAFT DIAMETER	ø85m6	+0.035 +0.013
KEYWAY WIDTH	22P9	-0.022 -0.074
KEYWAY DEPTH	9	+0.2 0

2.The type (1)-"TNB, TDB" is for HHI's standard products and it can be changed for customer's requirements or detail designing.



VIEW "A"
SCALE 4/1

TEFC STANDARD

CAD PROJ \ FILE
MMSTDMTR/TJ8LPP51

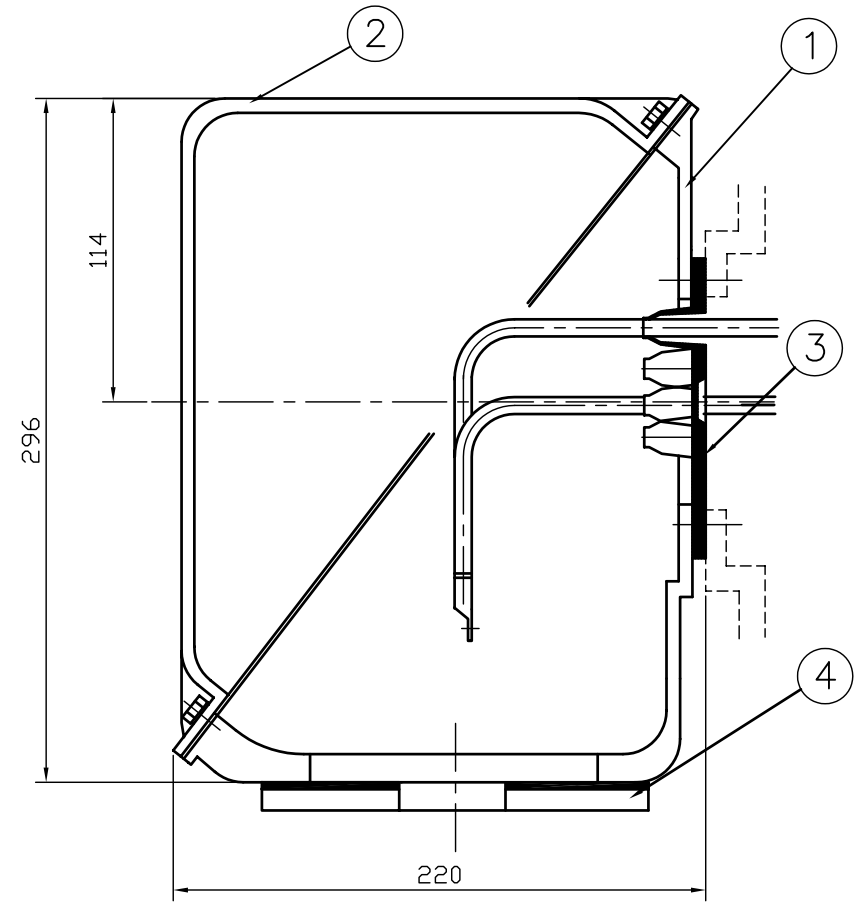
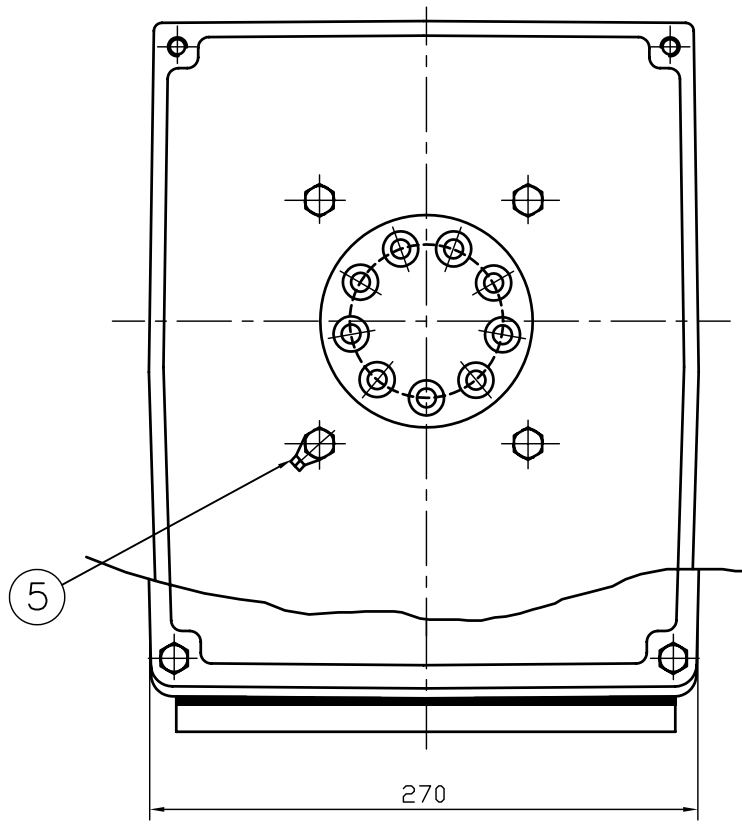
APPD BY	KANG K.J.	UNIT	MM
CHKD BY	KIM O.J.	SCALE	1/15
CHKD BY	LEE N.D.	PROJEC'N	3rd Angle
DSND BY	KIM RYANG GYU	DATE	2007.03.23

SUBJECT	KS Fr.280L TEFC	
TITLE	OUTLINE THREE-PHASE INDUCTION MOTOR	



REF. NO	L3-SERIES	Sheet No. of
DWG NO	TJ8LPP51	Revision No. 0

본 도면은 현대중공업(주) 재산이므로 허가없이
복사할 수 없음 (도면제출 시 유의하시기 바랍니다.)



1	EARTH TERMINAL LUG						5
1	CABLE ENTRY PLATE						4
1	GASKET	NBR					3
1	TERMINAL BOX COVER	CAST IRON					2
1	TERMINAL BOX BODY	CAST IRON					1

Q'TY	DESCRIPTION	MATERIAL	DIMENSION	WEIGHT	PART NO.	REMARK	NO.
APPD BY	김진오	UNIT	MM	SUBJECT	HLA6 - 250,280Fr. CAD PROJ FILE		
Q.P CHK	주영걸	SCALE	NONE	TITLE	(CAST IRON)		
CHKD BY	권오철	PROJEC'N	3각법(3rd Angle)	TERMINAL BOX ASS'Y			
DSND BY	김헌태	DATE	92.06.05	REF. NO		Sheet No. of	
				DWG NO	3M-016882	Revision No.	

REV	DATE	CONTENTS	REVD BY	CHKD BY	Q.P CHK	APPD BY
1						
2						
3						
4						