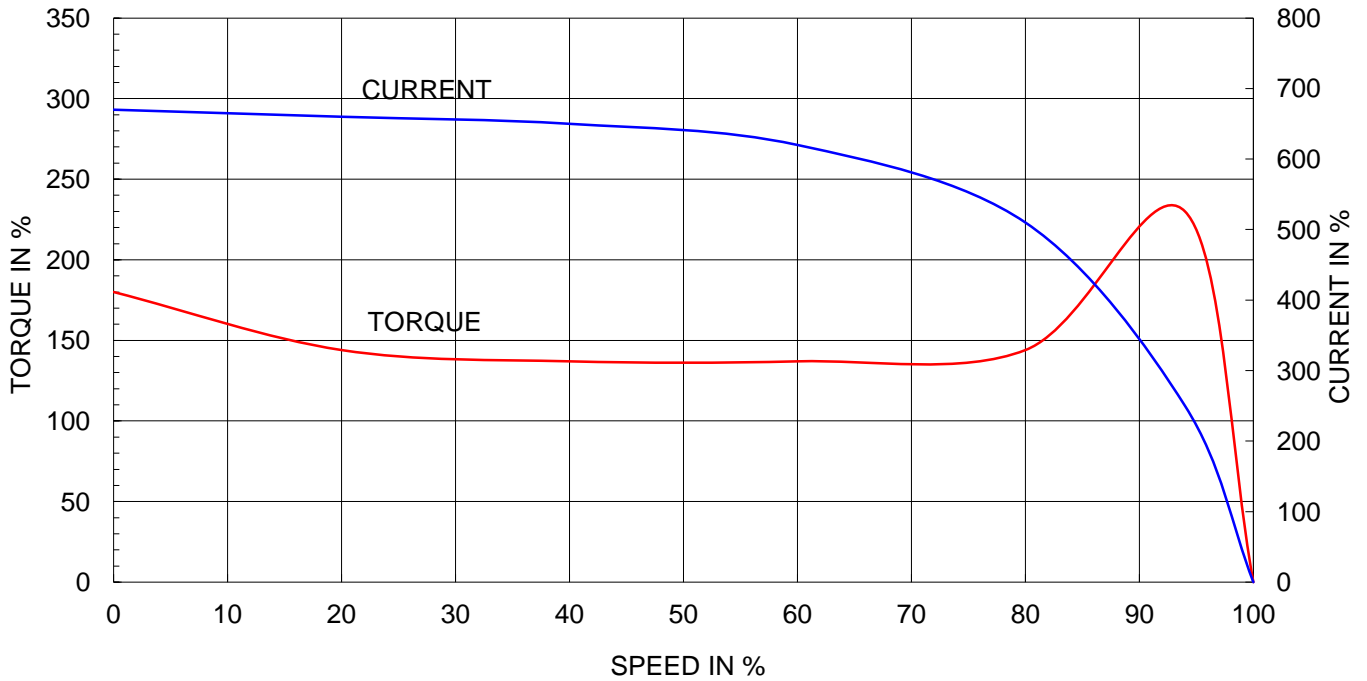


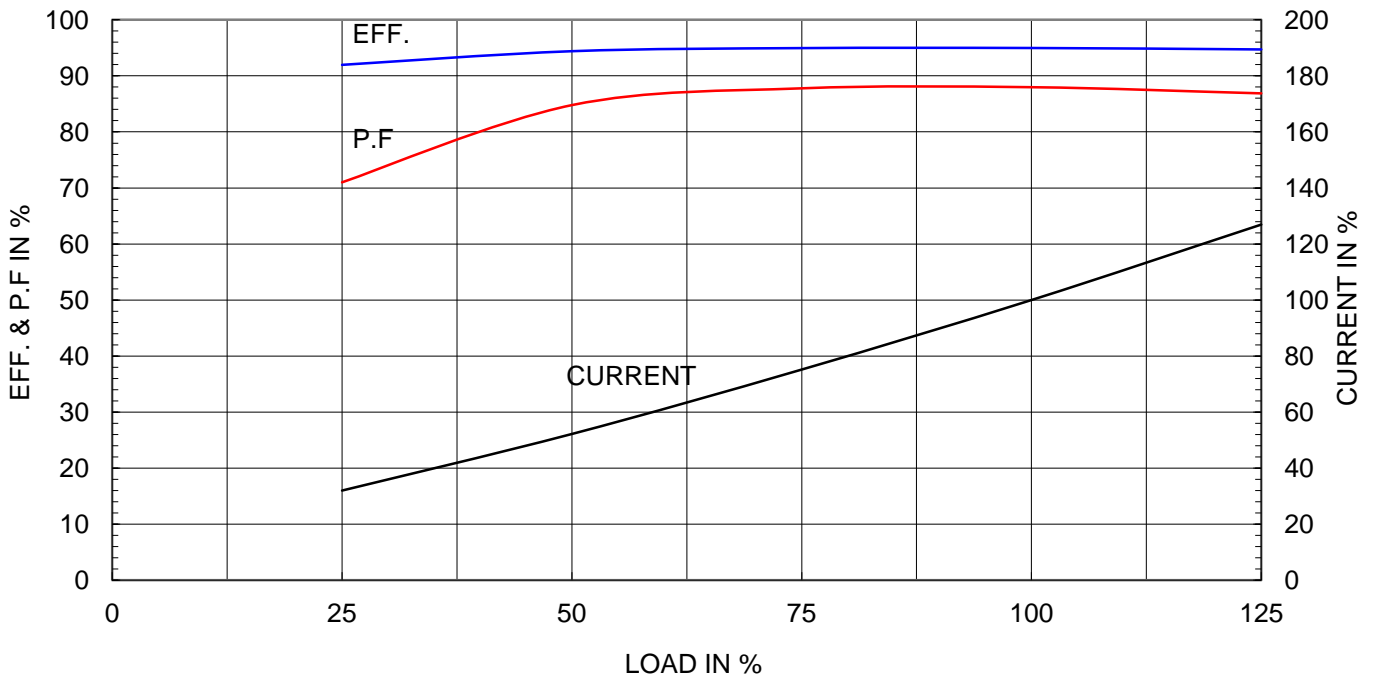
Type	:	HS
Full Load Torque	:	72.0 Kg.m
Motor moment of Inertia (J)	:	3.415 Kg.m ²
Load moment of Inertia (J)	:	111.825 Kg.m ²


132 kW	4 P	60 Hz	
Speed at Full Load :		1785 RPM	
Rated Voltage	440V	380V	220V
Full Load Current	207.2A	239.9A	414.4A

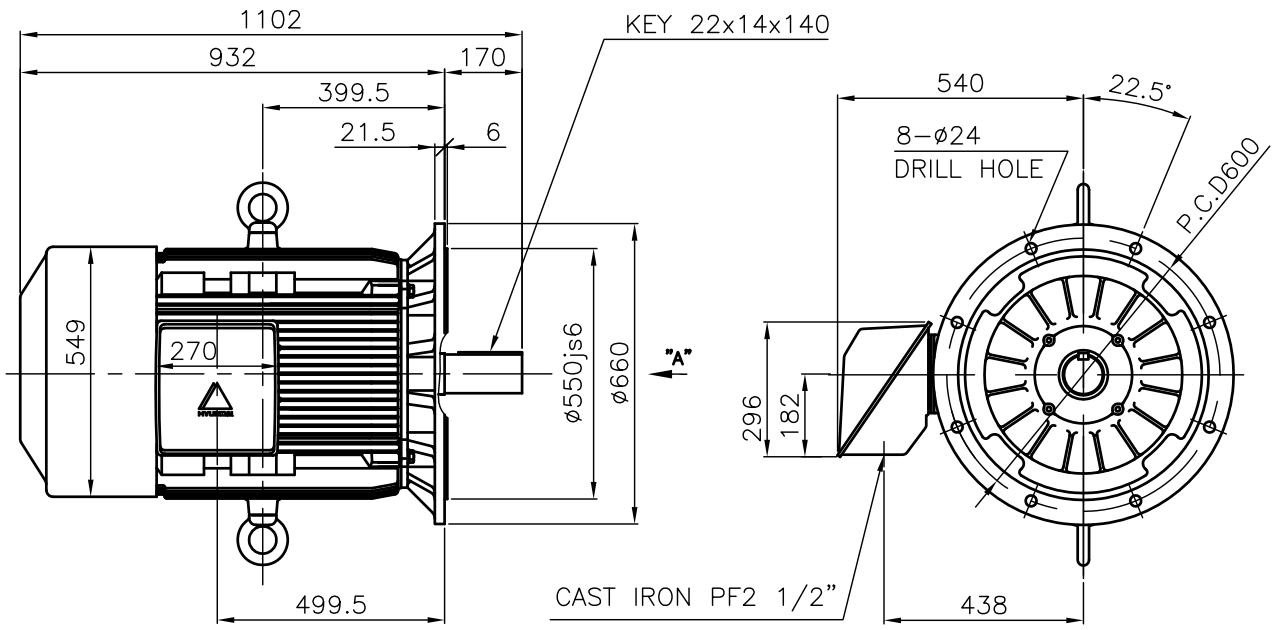
SPEED VS TORQUE & CURRENT CURVE



OUTPUT VS EFF., P.F & CURRENT CURVE



1		2		3		4	
 HYUNDAI HEAVY INDUSTRIES CO., LTD.		<h1>TEFC</h1> <h2>THREE PHASE INDUCTION MOTOR</h2>				TYPE (1) TNB , TDB CAST IRON FRAME	

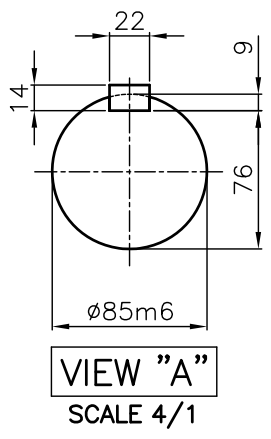



NOTE

1.TOLERANCE :

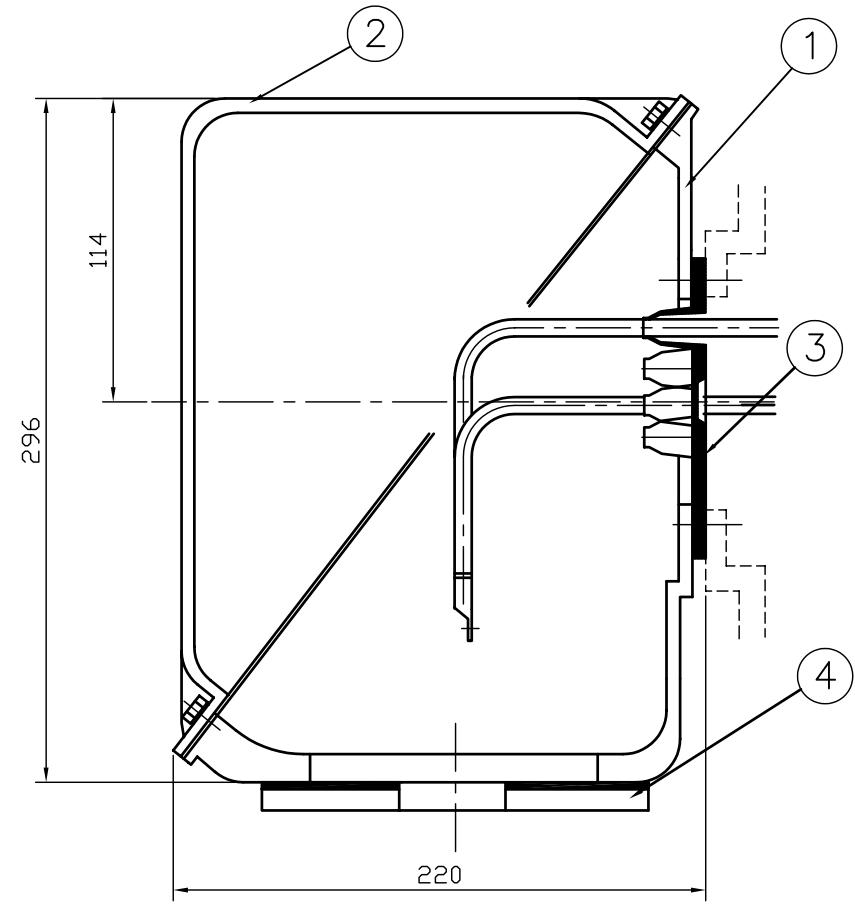
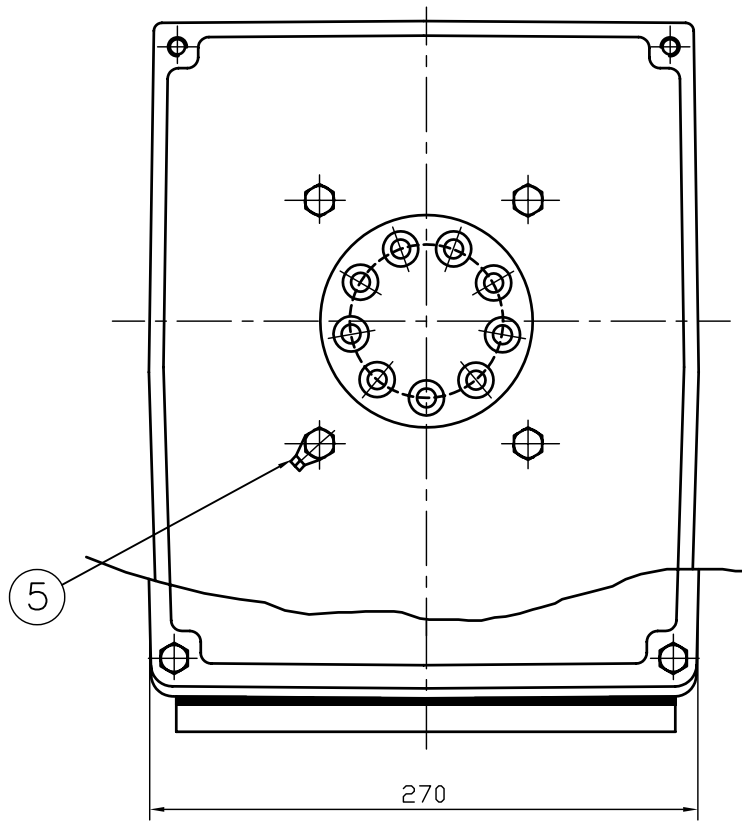
RABBET DIAMETER	ø550js6	±0.022
SHAFT DIAMETER	ø85m6	+0.035 +0.013
KEYWAY WIDTH	22P9	-0.022 -0.074
KEYWAY DEPTH	9	+0.2 0

2.The type (1)-"TNB , TDB" is for HHI's standard products and it can be changed for customer's requirements or detail designing.



APPD BY KANG K.J. UNIT MM				SUBJECT KS Fr.280 TEFC		TEFC STANDARD	
CHKD BY KIM O.J. SCALE 1/17				TITLE		CAD PROJ \ FILE	
CHKD BY LEE N.D. PROJEC'N 3rd Angle				OUTLINE THREE-PHASE INDUCTION MOTOR			
DSND BY KIM RYANG GYU DATE 2007.03.23							
 HYUNDAI HEAVY INDUSTRIES CO., LTD. INDUSTRIAL & POWER SYSTEMS				REF. NO	L3-Series	Sheet No.	of
				DWG NO	TJ80BP51	Revision No.	0

본 도면은 현대중공업(주) 재산이므로 허가없이
복사할 수 없음 (도면제출 시 유의하시기 바랍니다.)



1	EARTH TERMINAL LUG						5
1	CABLE ENTRY PLATE						4
1	GASKET	NBR					3
1	TERMINAL BOX COVER	CAST IRON					2
1	TERMINAL BOX BODY	CAST IRON					1

Q'TY	DESCRIPTION	MATERIAL	DIMENSION	WEIGHT	PART NO.	REMARK	NO.
APPD BY	김진오	UNIT	MM	SUBJECT	HLA6 - 250,280Fr. CAD PROJ FILE		
Q.P CHK	주영걸	SCALE	NONE	TITLE	(CAST IRON)		
CHKD BY	권오철	PROJEC'N	3각법(3rd Angle)	TERMINAL BOX ASS'Y			
DSND BY	김헌태	DATE	92.06.05	REF. NO		Sheet No. of	
				DWG NO	3M-016882	Revision No.	

REV	DATE	CONTENTS	REVD BY	CHKD BY	Q.P CHK	APPD BY
1						
2						
3						
4						