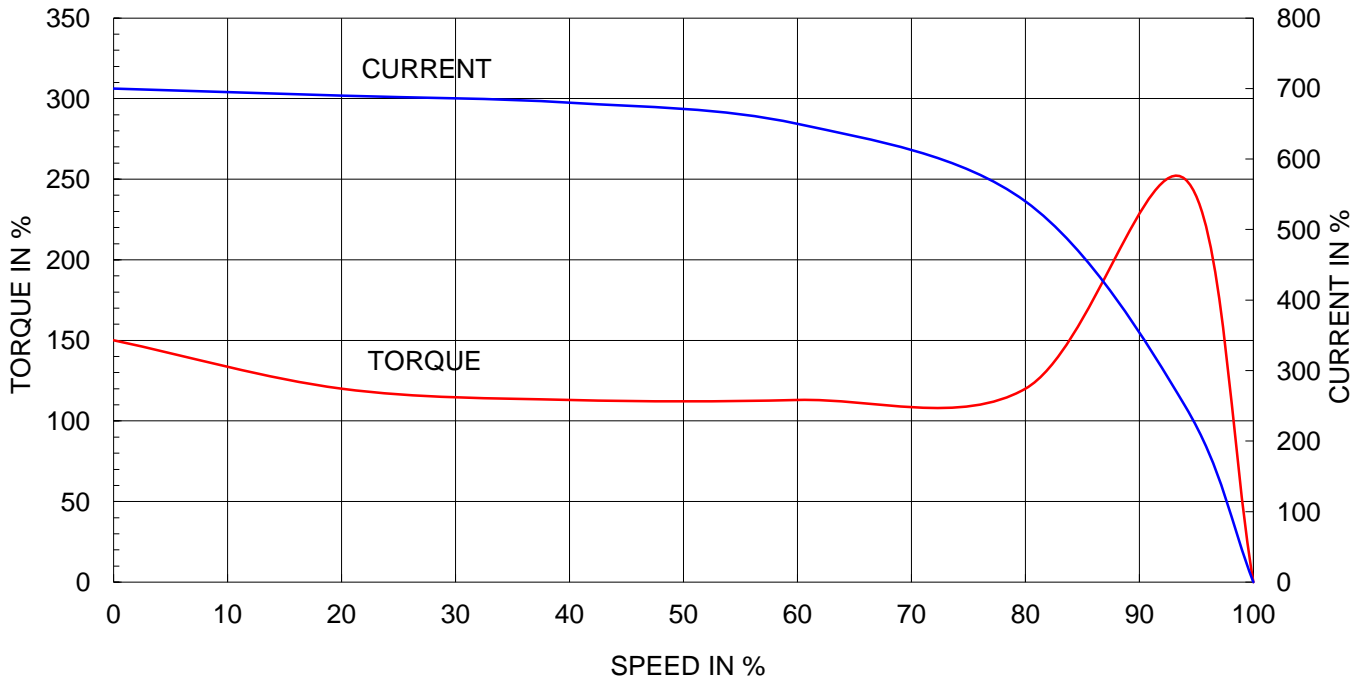


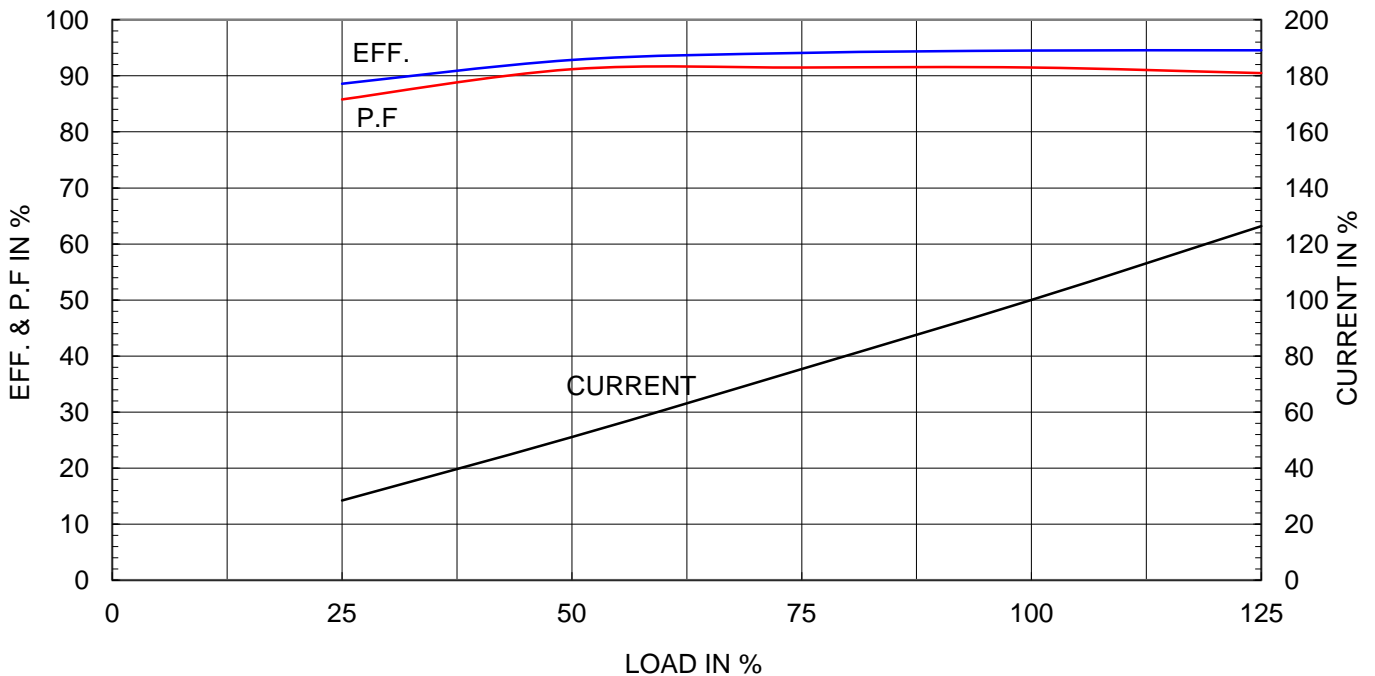
Type	:	HS
Full Load Torque	:	36.0 Kg.m
Motor moment of Inertia (J)	:	2.400 Kg.m ²
Load moment of Inertia (J)	:	14.375 Kg.m ²

132 kW	2 P	60 Hz	
Speed at Full Load :			
3570 RPM			
Rated Voltage	440V	380V	220V
Full Load Current	200.3A	231.9A	400.6A

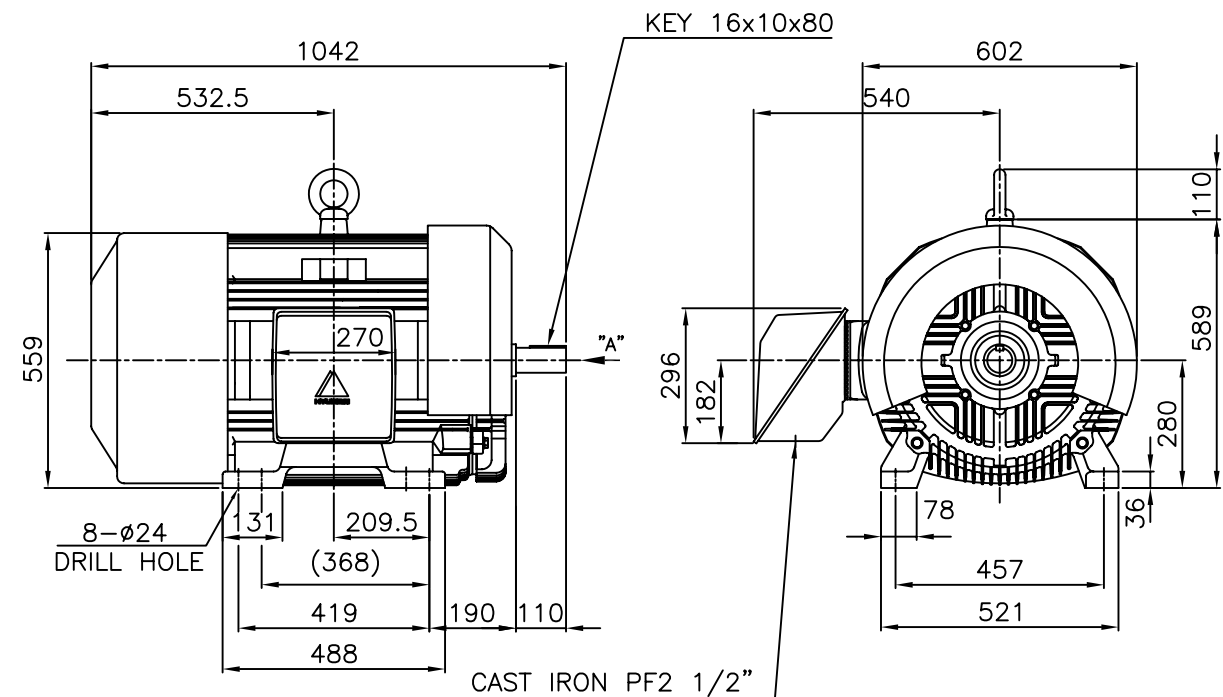
SPEED VS TORQUE & CURRENT CURVE



OUTPUT VS EFF., P.F & CURRENT CURVE



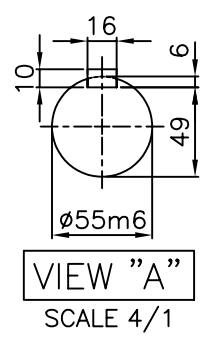
		<h1>TEFC</h1>		TYPE (1) TNB , TDB CAST IRON FRAME
		THREE PHASE INDUCTION MOTOR		



NOTE

1.TOLERANCE :

CENTER HEIGHT	280	$\begin{matrix} 0 \\ -1.0 \end{matrix}$
BASE HOLE	ø24	$\begin{matrix} +0.43 \\ 0 \end{matrix}$
SHAFT DIAMETER	ø55	$\begin{matrix} +0.030 \\ +0.011 \end{matrix}$
KEYWAY WIDTH	16	$\begin{matrix} -0.018 \\ -0.061 \end{matrix}$
KEYWAY DEPTH	6	$\begin{matrix} +0.2 \\ 0 \end{matrix}$
KEY WIDTH	16	$\begin{matrix} 0 \\ -0.043 \end{matrix}$
KEY HEIGHT	10	$\begin{matrix} 0 \\ -0.090 \end{matrix}$



2.The type (1)-"TNB , TDB" is for HHI's standard products and it can be changed for customer's requirements or detail designing.

				TEFC STANDARD		
APPD BY	KANG K.J.	UNIT	MM	SUBJECT	KS Fr.280M TEFC	
CHKD BY	KIM O.J.	SCALE	1/17		CAD PROJ \ FILE MMSTDMTR/TJ8MAC50	
CHKD BY	LEE N.D.	PROJEC'N	3rd Angle	TITLE	OUTLINE THREE-PHASE INDUCTION MOTOR	
DSND BY	KIM RYANG GYU	DATE	2007.03.23			
				REF. NO	L2-Series	Sheet No. of
				DWG NO	TJ8MAC50	Revision No. 0

