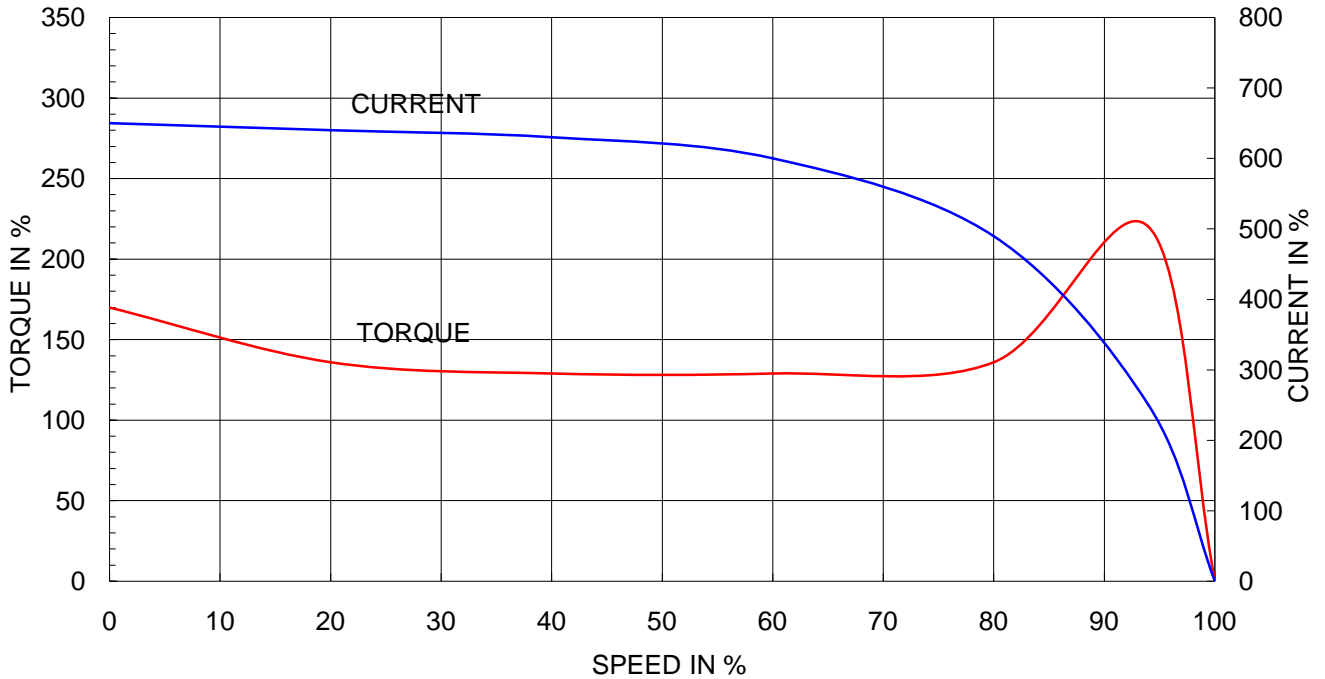


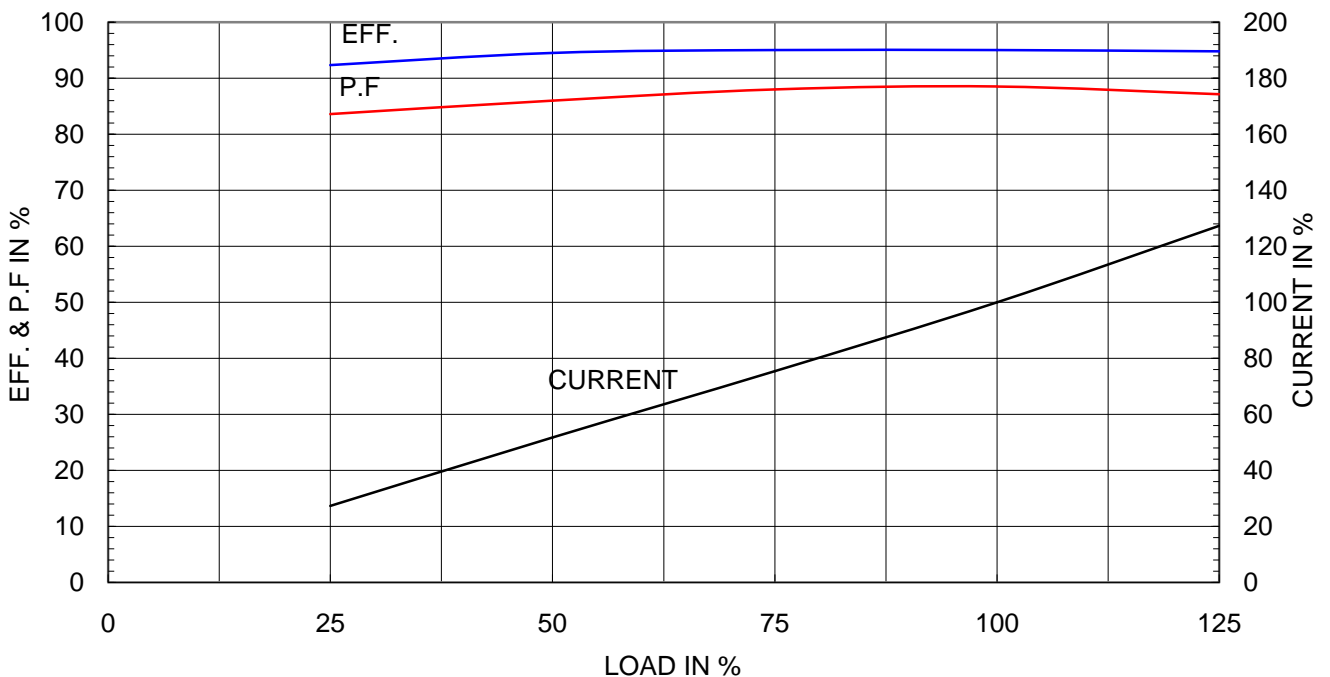
Type	: HL-XP(280LL)
Full Load Torque	: 87.3 Kg.m
Motor moment of Inertia (J)	: 5.488 Kg.m ²
Load moment of Inertia (J)	: 139.850 Kg.m ²

160 kW	4 P	60 Hz	
Speed at Full Load :		1785 RPM	
Rated Voltage	440V	380V	220V
Full Load Current	249.7A	289.1A	499.4A

SPEED VS TORQUE & CURRENT CURVE



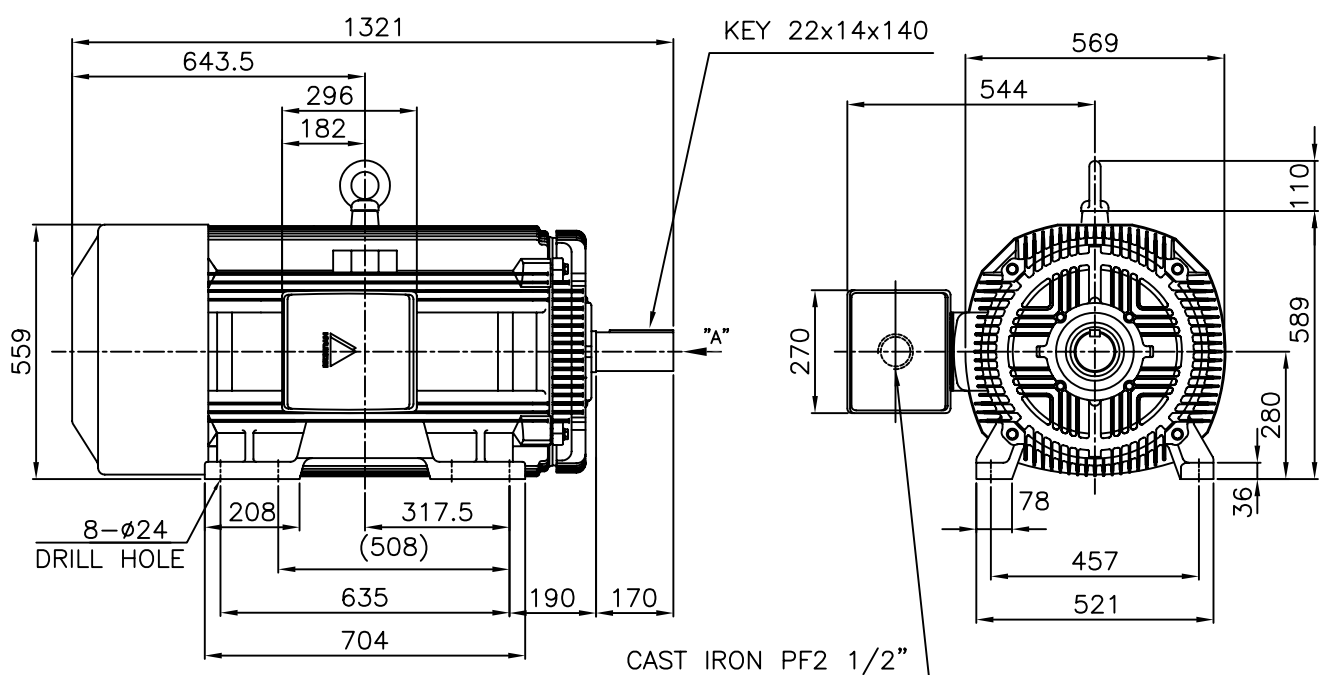
OUTPUT VS EFF., P.F & CURRENT CURVE



본 도면은 현대중공업(주) 재산이므로
허가없이 복사할 수 없음 (취급주의)

THIS DRAWING IS PROPRIETARY TO HHI. NO PART OF THIS DRAWING
MAY BE REPRODUCED WITHOUT THE PERMISSION OF HHI.

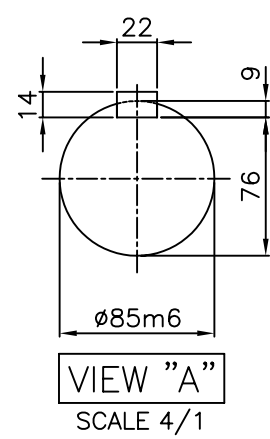
		<h1>TEFC</h1>		TYPE (1) ENB , EDB CAST IRON FRAME
		THREE PHASE INDUCTION MOTOR		



NOTE

1.TOLERANCE :

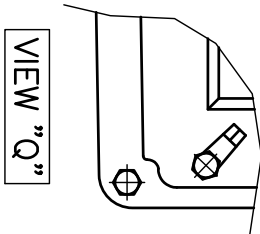
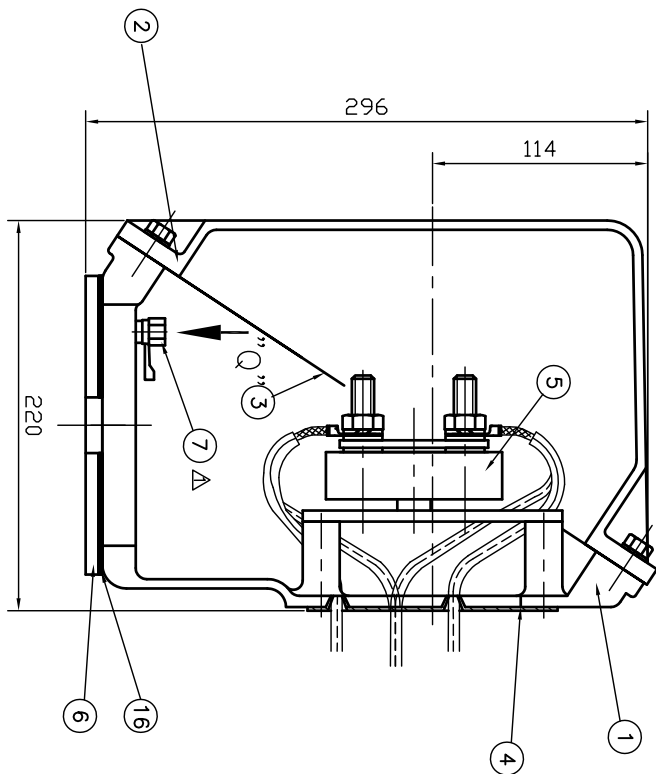
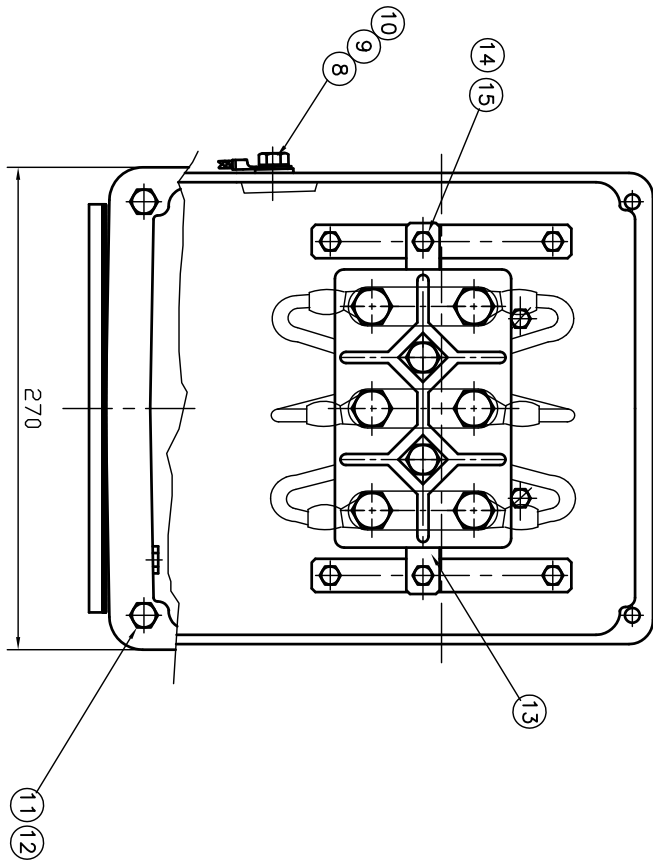
CENTER HEIGHT	280	⁰ / _{-1.0}
BASE HOLE	ø24	^{+0.43} / ₀
SHAFT DIAMETER	ø85	^{+0.035} / _{+0.013}
KEYWAY WIDTH	22	^{-0.022} / _{-0.074}
KEYWAY DEPTH	9	^{+0.2} / ₀
KEY WIDTH	22	⁰ / _{-0.052}
KEY HEIGHT	14	⁰ / _{-0.110}



2.The type (1)-"ENB , EDB" is for HHI's standard products and it can be changed for customer's requirements or detail designing.

Ex e II T3
TEFC STANDARD
CAD PROJ \ FILE MMSTDMTR/EJ8XAP51

APPD BY	KANG K.J.	UNIT	MM	SUBJECT	KS Fr.280LL TEFC	OUTLINE THREE-PHASE INDUCTION MOTOR
CHKD BY	KIM O.J.	SCALE	1/17	TITLE		
CHKD BY	LEE N.D.	PROJEC'N	3rd Angle	REF. NO	L2-Series	Sheet No. of
DSND BY	KIM RYANG GYU	DATE	2007.03.23	DWG NO	EJ8XAP51	Revision No. 0



Q'TY	DESCRIPTION	MATERIAL	DIMENSION	REMARK	PART
1	PACKING	NBR			16
2	SPRING WASHER	SUP3			15
2	HEX BOLT	S45C			14
1	BASE PLATE	SS41			13
4	SPRING WASHER	SUP3			12
4	HEX. BOLT	S45C			11
1	EARTH TERMINAL LUG	STD			10
1	SPRING WASHER	SUP3			9
1	EARTH BOLT	BRASS			8
1	EARTH TERMINAL LUG	STD			7
1	CABLE ENTRY PLATE	SS41			6
1	TERMINAL BLOCK				5
1	GASKET	NBR			4
1	PACKING	NBR			3
1	T/B COVER	CAST IRON	2M-003339		2
1	T/B BODY	CAST IRON	2M-003340		1

REV	DATE	CONTENTS	REV'D BY	Q.P. CHK	APP'D BY
Δ	98.10.01	EARTH TER. LUG REVISED	AHN H.K	KIM O.J	KANG K.J

Q'TY	DESCRIPTION	MATERIAL	DIMENSION	WEIGHT	PART NO.	REMARK	NO.
APP'D BY	KANG K.J	UNIT	MM				
Q.P. CHK	KIM O.J	SCALE	1/3				
CHK'D BY		PROJEC'N	3 rd (3rd Angle)				
DSND BY	HAN K.J	DATE	96.08.08				
SUBJECT				HLA6 250.280FR		CAD PROJ FILE	
TITLE				CAST IRON WITH T/BLOCK			
TITLE				TERMINAL BOX ASS'Y			
REF. NO.		DWG NO.	3M-051288	Sheet No.		of	
				Revision No.	1		

